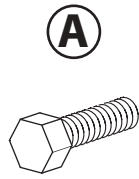
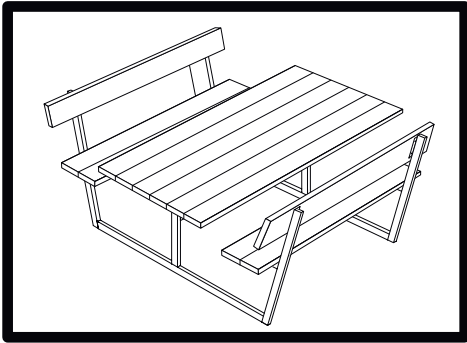


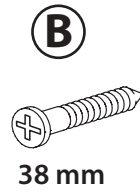
DANCOVER[®]

.com

Manual
for
Picnic table
w/backrest,
1.8 x 1.75 m



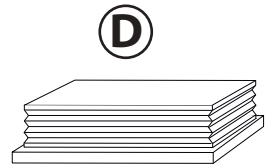
x4



x100

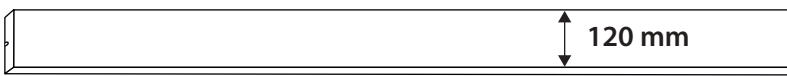


x16



x12

(E)

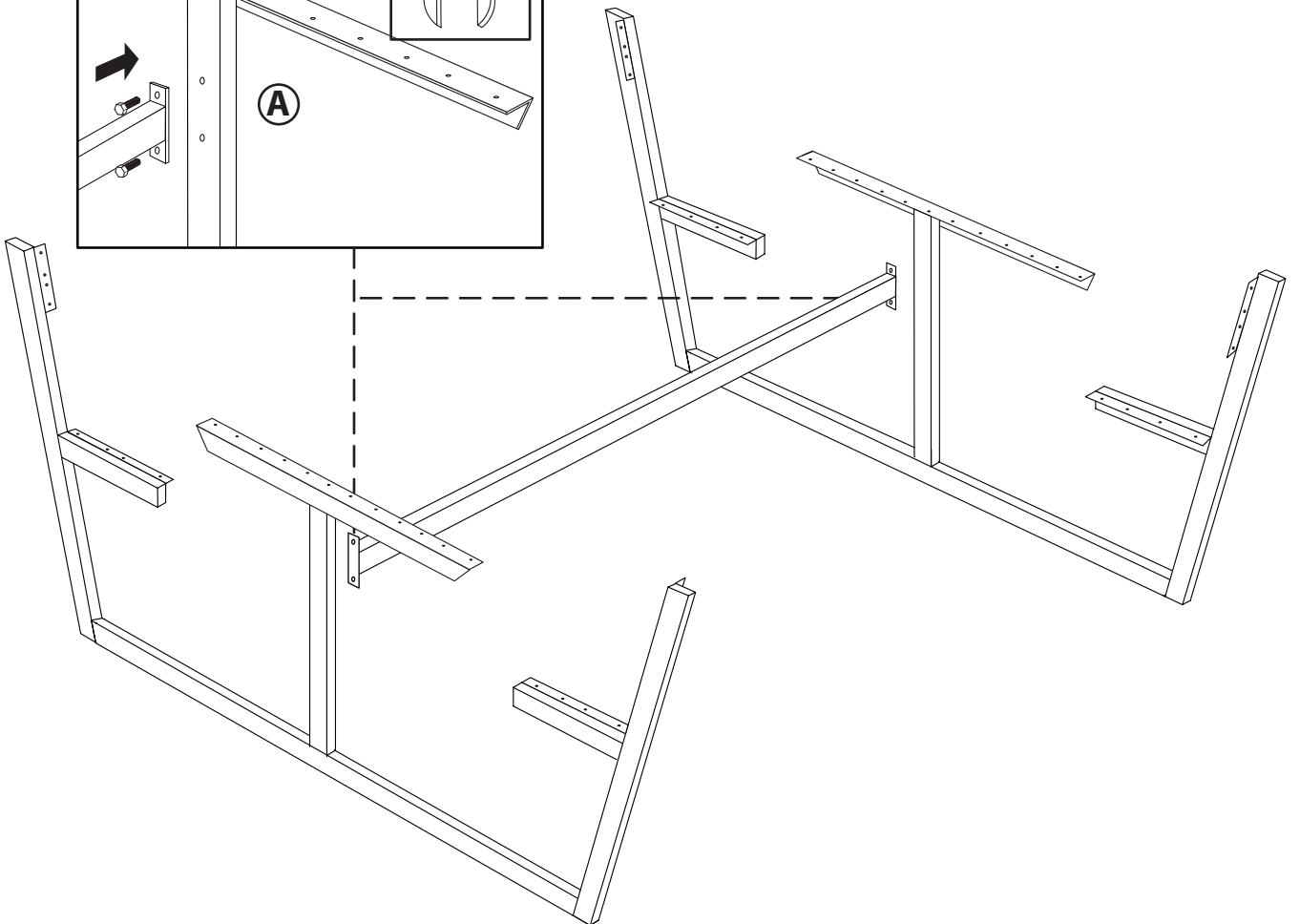
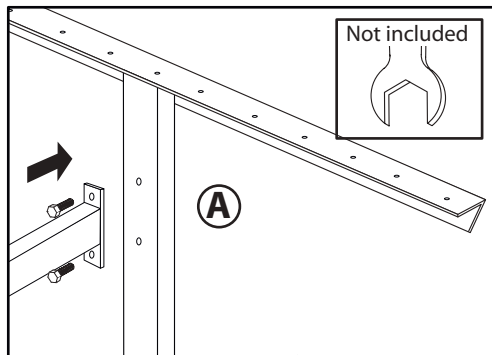
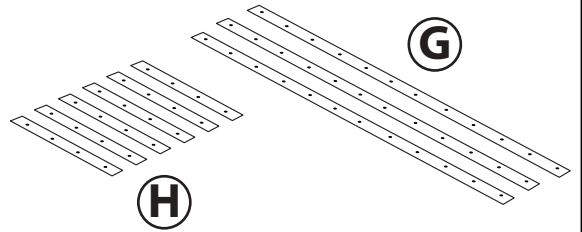


x10

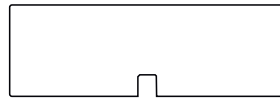
(F)



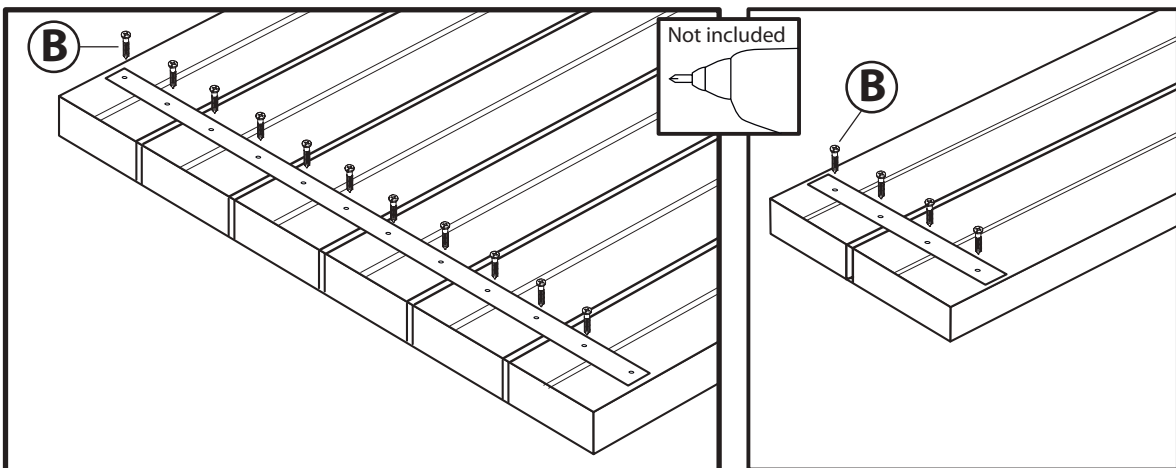
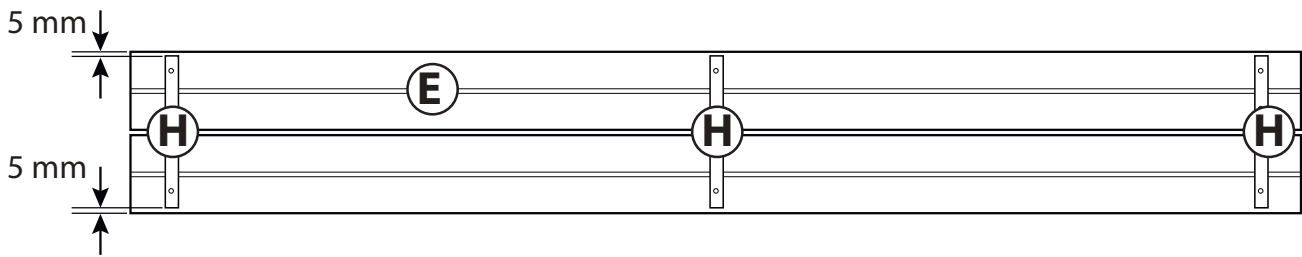
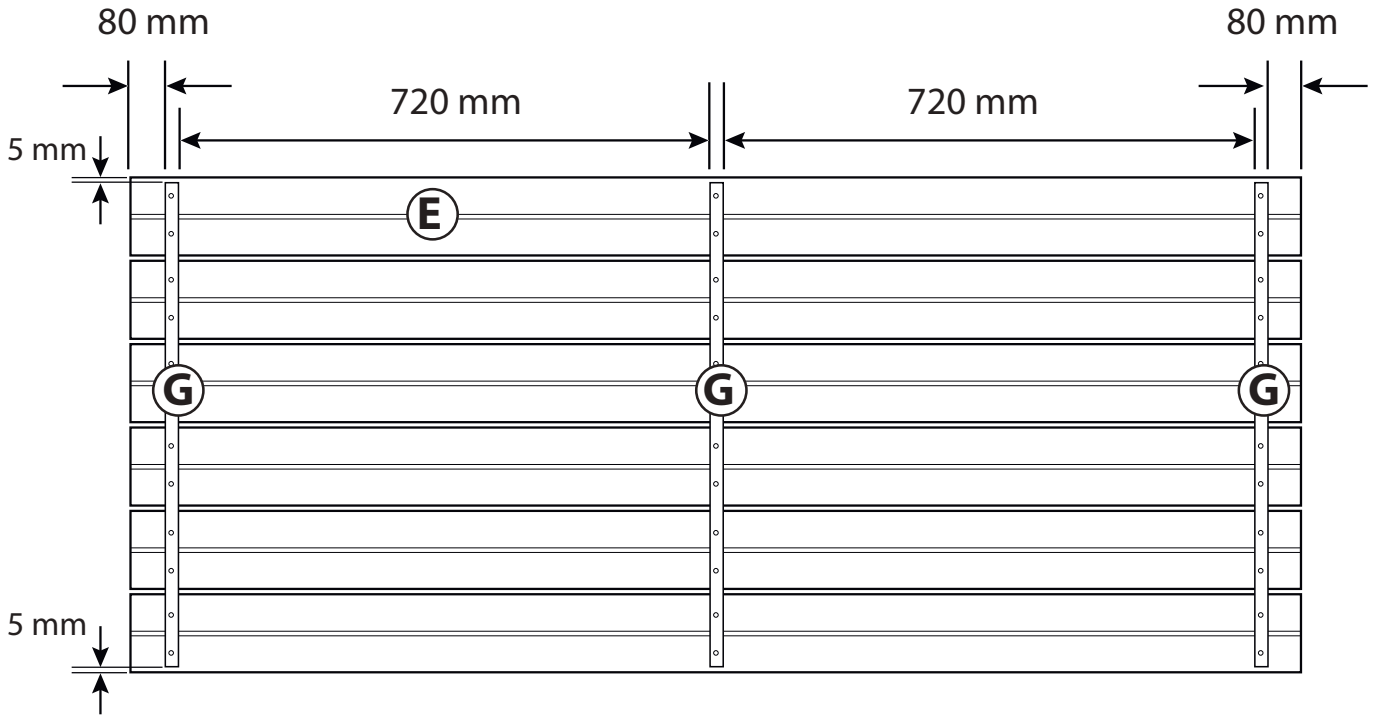
x2

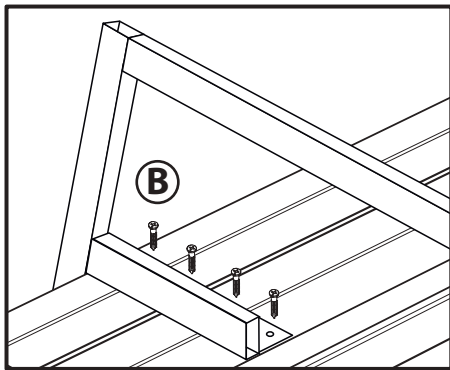


UPSIDE

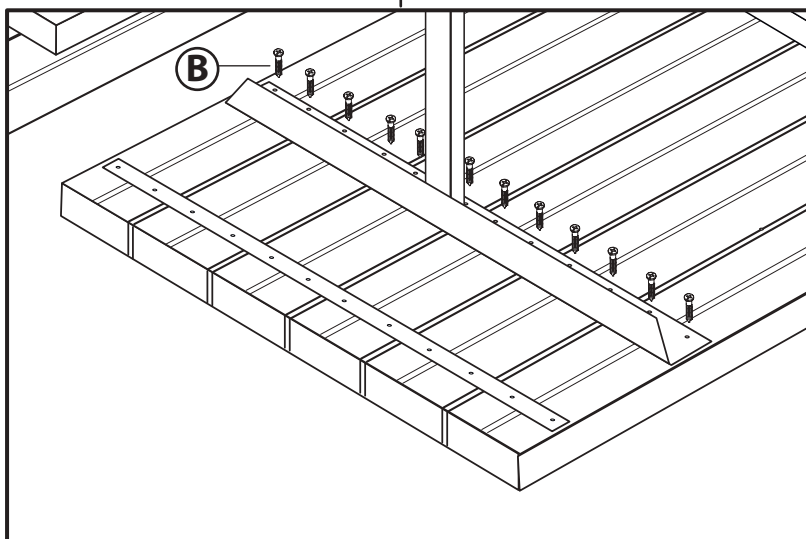
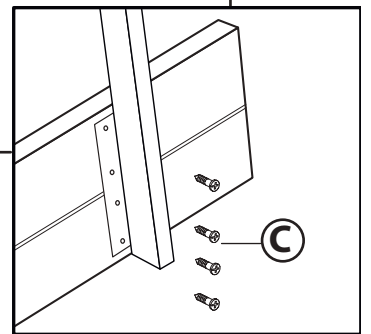
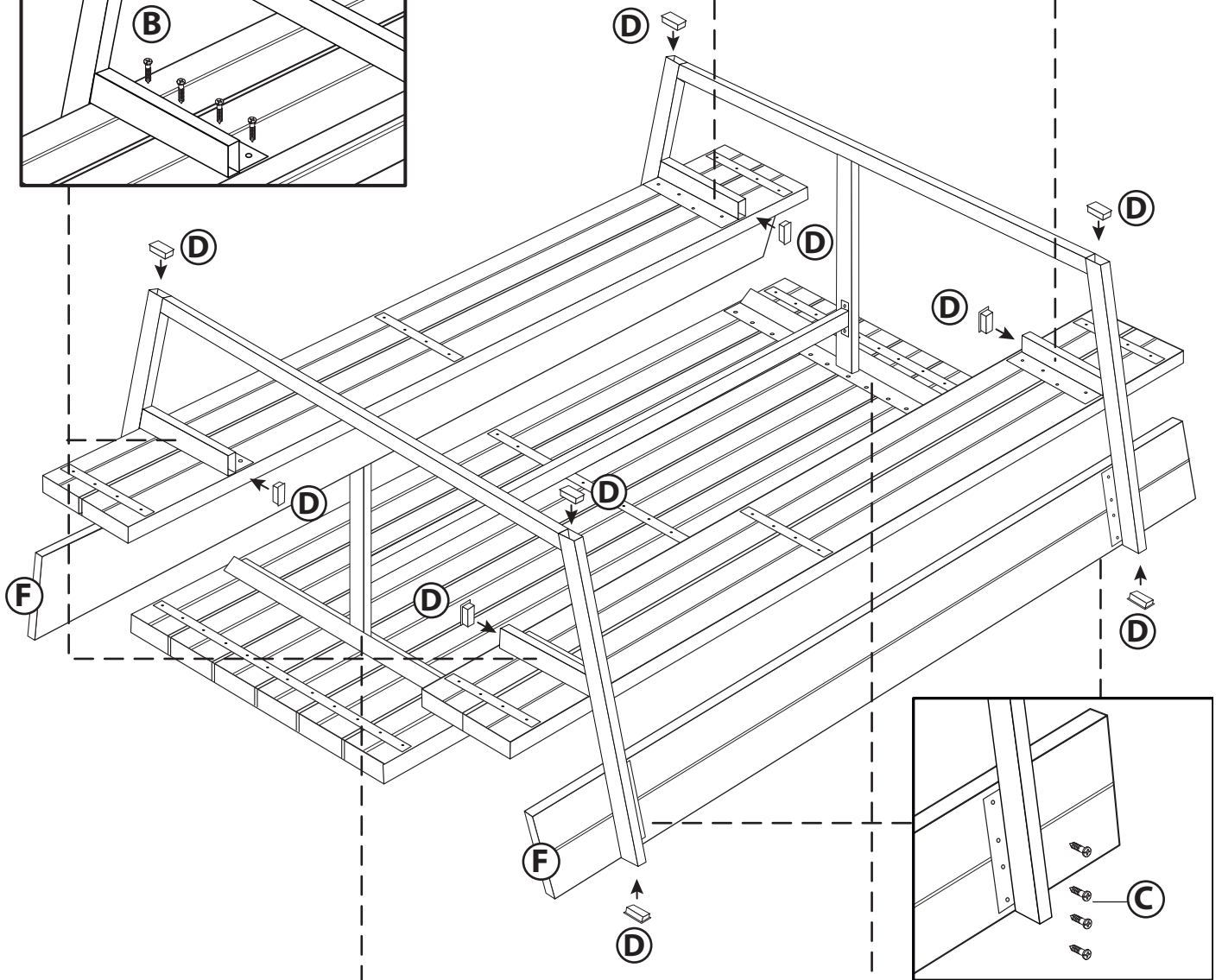


DOWNSIDE





Not included



Not included