

DANCOVER[®]



TITANIUM TENT
8m Series

DANCOVER[®]

.com

Safety Advice

Attention

In some countries approval is needed to set up a marquee/tent larger than 75 m². It is your responsibility to comply with local rules and regulations and to ensure that the marquee/tent is assembled correctly.

In case of bad weather conditions, it is your responsibility to ensure the marquee/tent is safely secured and that the marquee/tent does not cause damage to others.

Do not use open fire, welding equipment or other sources which can ignite, inside or close to the tent.

The marquee/tent must be safely secured. We recommend you secure your marquee/tent with straps and pegs as soon as it is assembled.

Make sure to check if the marquee/tent is covered by your home contents insurance.

Marquees/tents must be evacuated under extreme weather conditions.

In the event of snow always remove snow from the roof of the marquee/tent regularly to prevent snow from building on the roof as heavy snow can cause the marquee/tent to collapse.

In the event of rain there is a risk of rain puddles building up on top of the roof of the marquee/tent. Heavy rain puddles can cause the roof to collapse. It is your responsibility to ensure rain puddles do not build up. As a precaution, make sure the roof of the marquee/tent is stretched out properly and adequately over the side frames of the marquee/tent and remove rain water regularly.

Please always check our website for the latest safety advice and manual.

Assembly Illustration

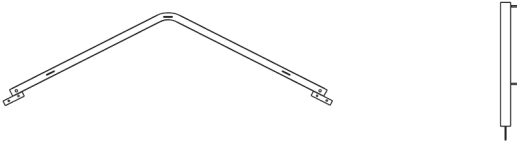


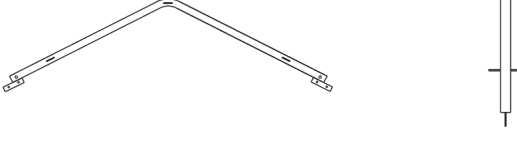
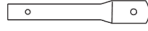
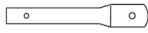
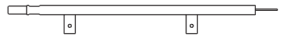


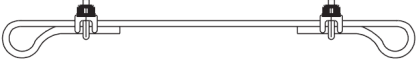



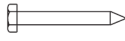
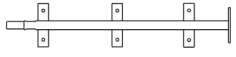

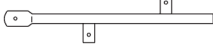





For “User Friendly” assembly we have identified each individual component with our part code number as indicated in the part list.

Please refer to the part code numbers and drawings to ensure problem free assembly.

Part list for 8m series Titanium

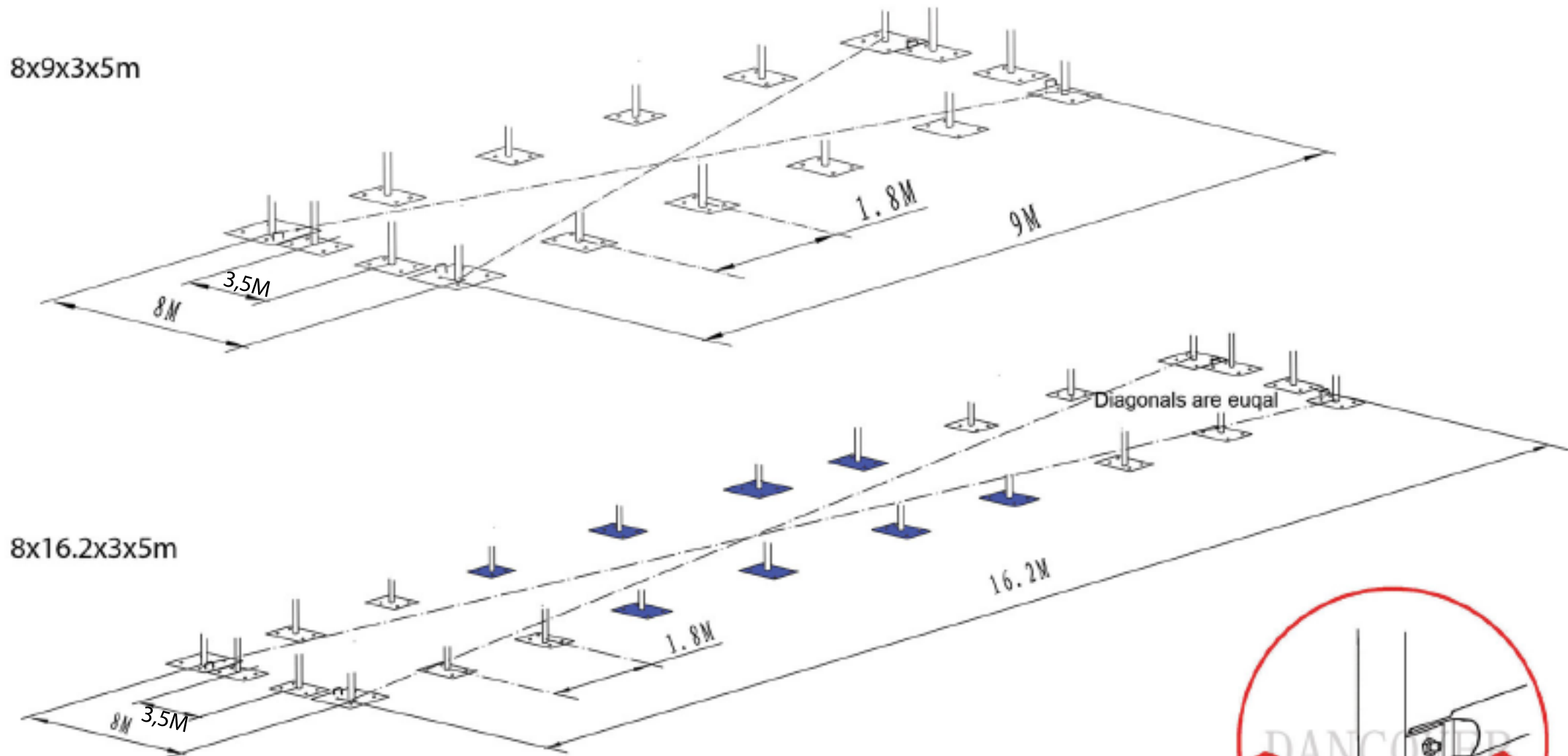
Part No.	Description	Qty(pcs.)	
1	Curved roof tube(top) at two ends & tube size:1341mm	2	2
2	Curved roof tube(top) in the middle & tube size:1341mm	4	8
3	Straight roof tube at two ends & tube size:1790mm	4	4
4	Straight roof tube in the middle & tube size:1790mm	8	16
5	Curved roof tube(side) at two ends & short tube size:751mm ,long tube:1320mm	4	4
6	Curved roof tube(side) in the middle & short tube size:751mm ,long tube:1320mm	8	16
7	Standing leg(in the middle) with base flange & tube size:2100mm	8	16
8	Standing leg(at two ends) with base flange & tube size:2100mm	4	4
9A-1	Upper standing leg in front panel & tube size:1920mm	2	2
9A-2	Upper standing leg in back panel & tube size:1920mm	2	2
9B	Lower standing leg in front panel with base flange & tube size:2100mm	2	2
9C	Lower standing leg in back panel with base flange & tube size:2100mm	2	2
10	Roof purlin and horizontal wall at both sides & tube size:1711.7mm	85	153
11A	Horizontal tube(at two ends) in front and back panel & tube size:2144mm	12	12
11B	Horizontal tube (in the middle)in front and back panel. & tube size:1725.50mm	8	8
12A	Tensioning cross tubes in top roof & tube size:1727.50mm	12	16
12B	Door dropping tube & tube size:1850mm	2	2
12C	Steel rope (with rolling head) for fixing frame	12	12
13	Slant supporting tube & tube size:1952mm	8	8
14	Roof cover	1	1
15	Front cover	1	1
16	Back cover	1	1
17	Stake peg & dia:16x700mm	32	48
18	Rope for fixing cover		
19	Bolt and nuts M14x30	224	404
	M14x70	40	70
	M12x50	28	28
	M14x50	38	38
20	Inner joint for horizontal tube & tube size:178mm	9	9
21	Inner joint for part 11B and part 12. & tube size:400mm	2	2

Part drawings for 8m series Titanium

Part No.	Diagram	Qty		Part No.	Diagram	Qty			
		8x9m	8x16,2m			8x9m	8x16,2m		
1		2	2	10		85	153		
				11A				12	12
2		4	8	11B		8	8		
				12A				12	16
3		4	4	12B		2	2		
4		8	16	12C		12	12		
				13				8	8
5		4	4	14. 15. 16 Roof/Front/Back cover					
6		8	16	17		32	48		
				18	Rope for fixing cover				
7		8	16	19	M14X30/	224	404		
8		4	4		M14X70/			40	70
9A-1		2	2		M12X50/			28	28
9A-2		2	2		M14X50/			38	38
9B		2	2	20		9	9		
9C		2	2	21		2	2		

Step #1:

Place base plates as shown in figure #1. Make sure that diagonals are equal in length. Secure base plates with stake pegs. Make sure to use at least 2 stake pegs per base plate and drive them into the ground so they cross each other as shown in figure #3.

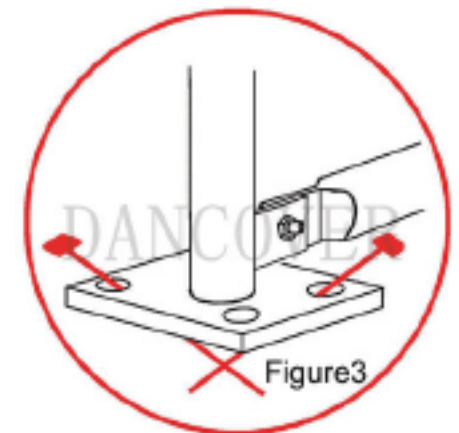


8x9x3x5m

8x16.2x3x5m

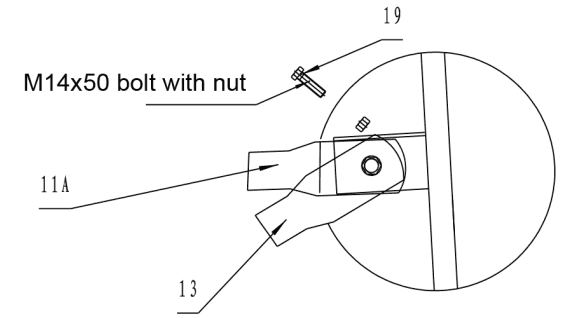
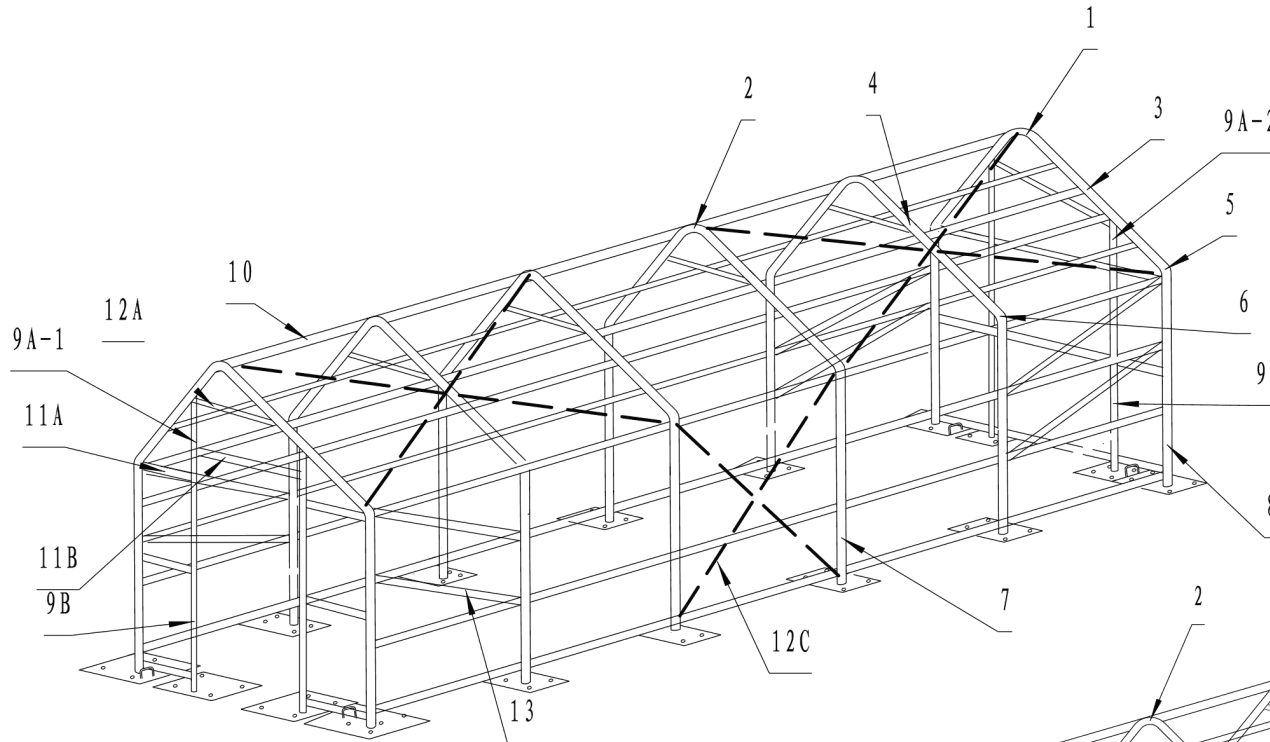
Place the extension pack 8x7.2x3x5m in the middle of the frame 8x9x3x5m

Baseplates marked with blue are from the extension pack 8x7.2x3x5

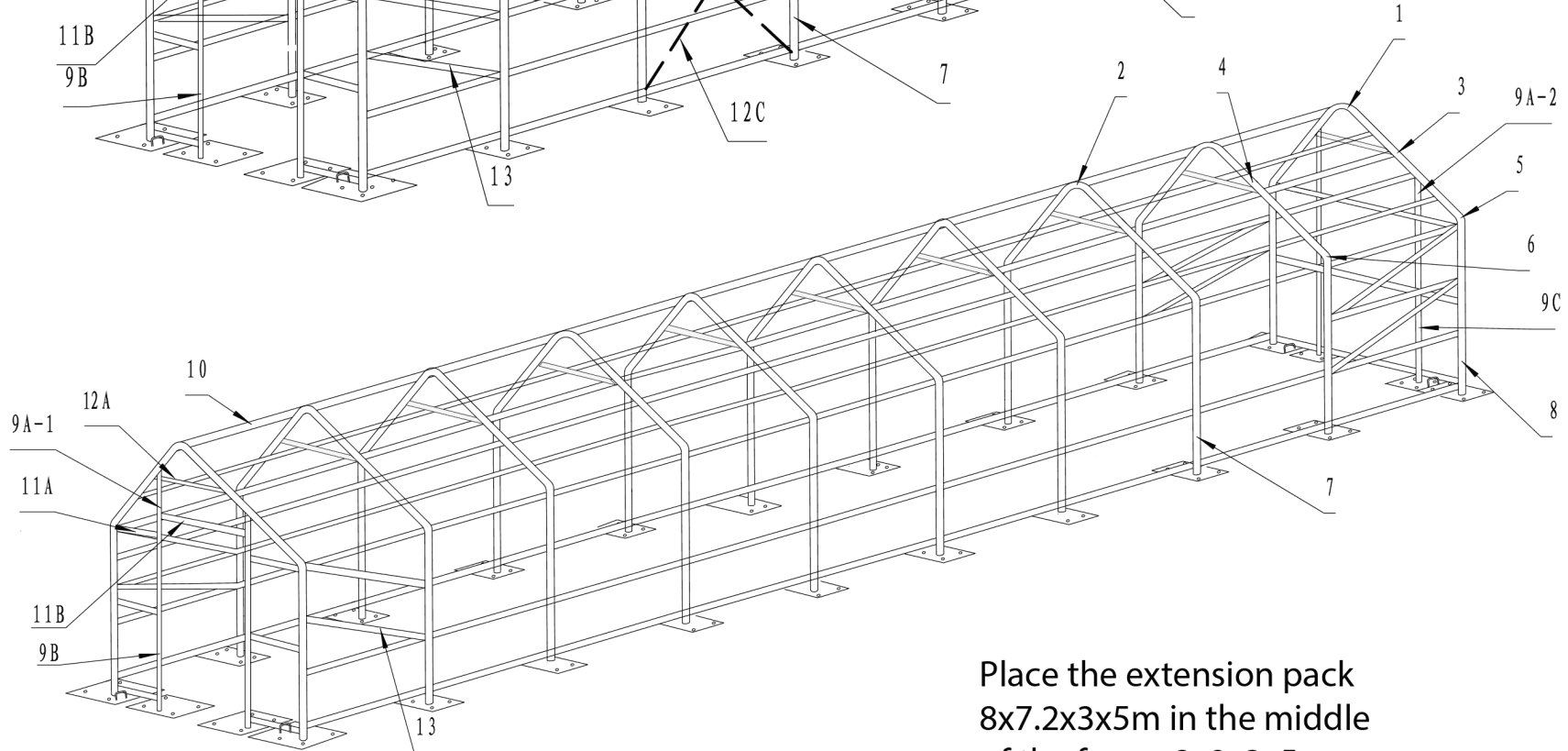


Frame Sketch

8x9x3x5m



8x16.2x3x5m



Place the extension pack
8x7.2x3x5m in the middle
of the frame 8x9x3x5m

Step #2:

Assemble two sidewalls and connect them as shown in figure #2. Make sure that all bolts are secured tightly and placed from the outside and in, to avoid damage on the cover. Figure 3 and 4 shows how joints should be assembled, both shown from inside.

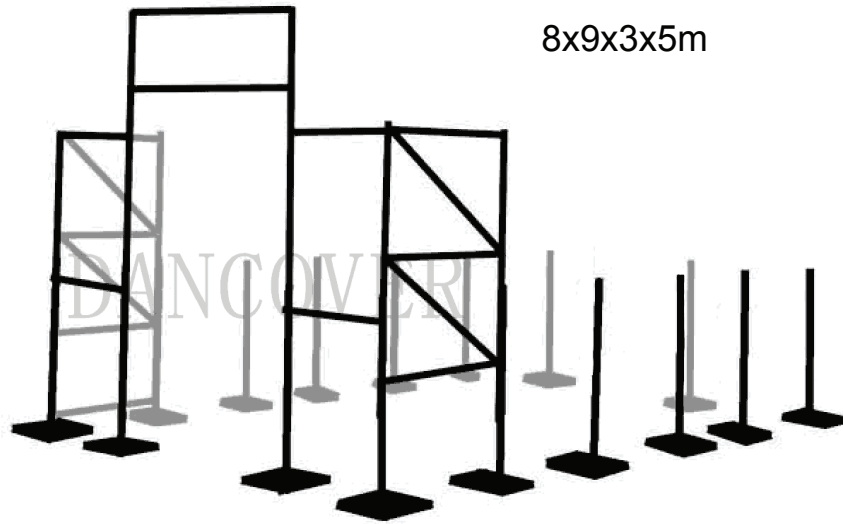


Figure 2

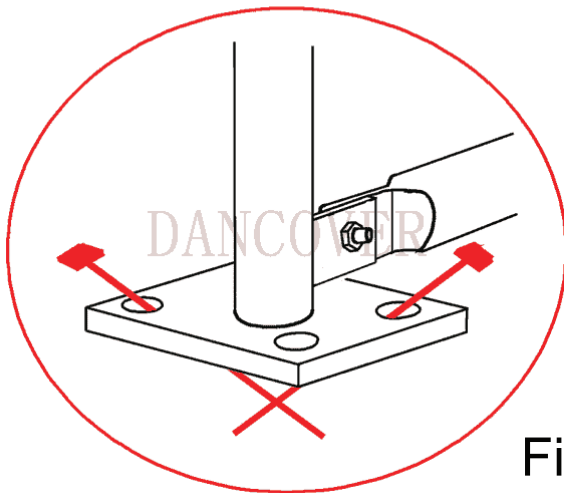
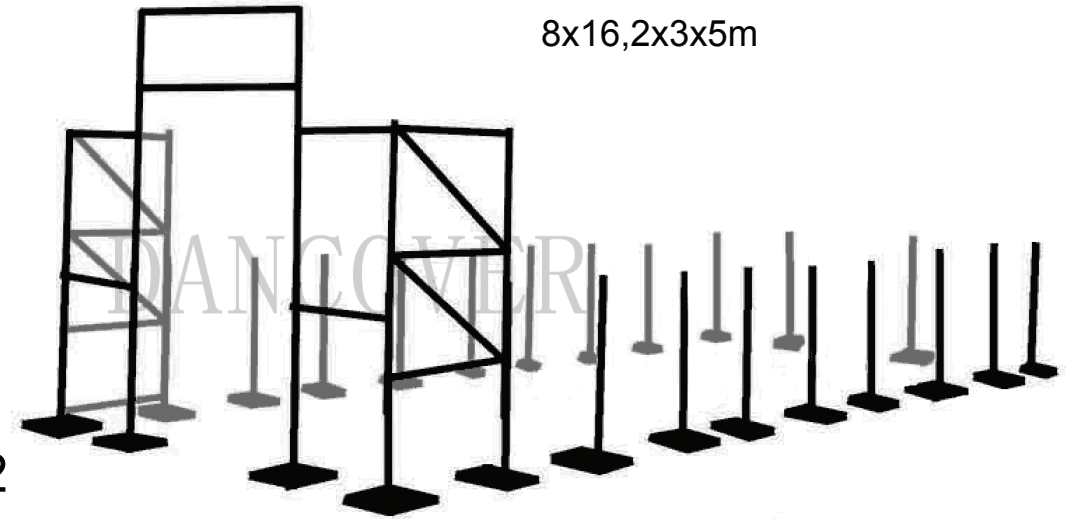


Figure 3

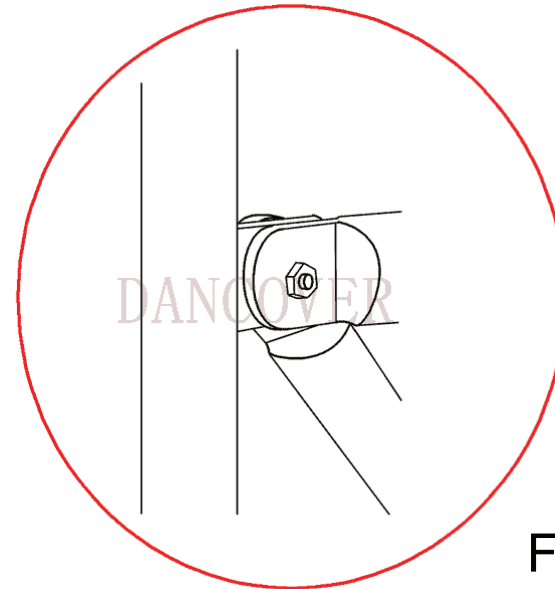
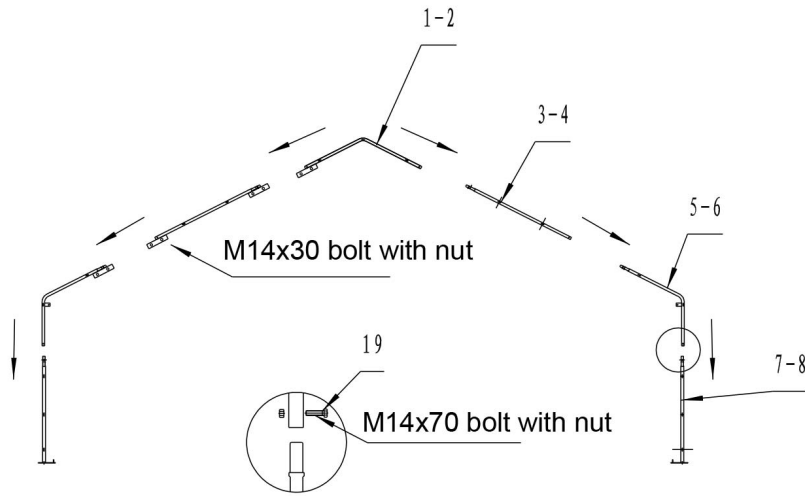


Figure 4



Step #3:

Connect the two sidewalls with the curved roof tubes. Then connect these with the horizontal bars as shown in figure # 5. Figure #6 and #7 show how joints are supported to be assembled.

Step #4:

Assemble the next two sidewalls in extension of the already erected sides as shown

Door cross tube and Slanting support tube

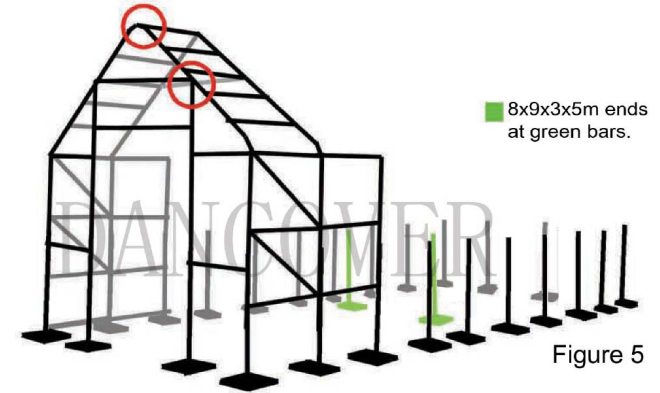
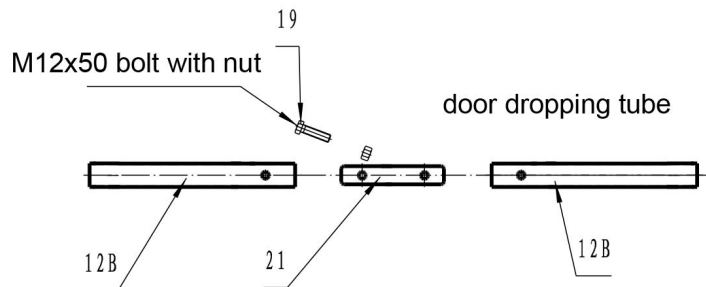
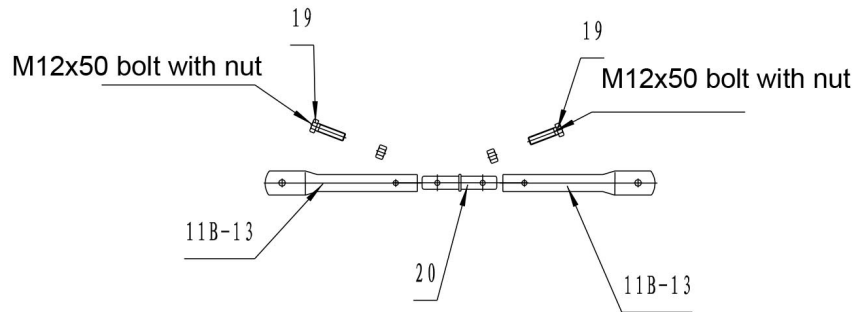
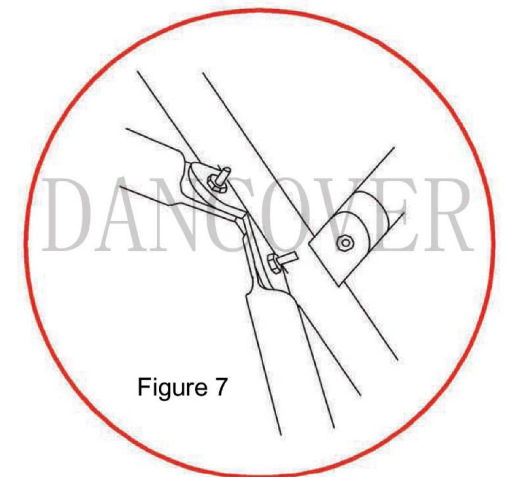
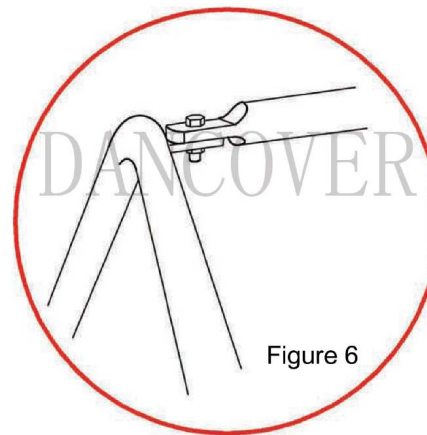


Figure 5



Mounting the Cover

IMPORTANT:

DO not attempt to install cover in windy conditions.

Step # 5

Repeat steps #3 and #4 until the entire frames has been erected. Note that you have to install windcrosses in the sidewall sections closest to the corners. (see Figure #4). It should look like figure #8.

Step #6:

Make sure that all bolts are inserted from the outside in before proceeding with the cover. Make sure all foot plates are secured to the ground.

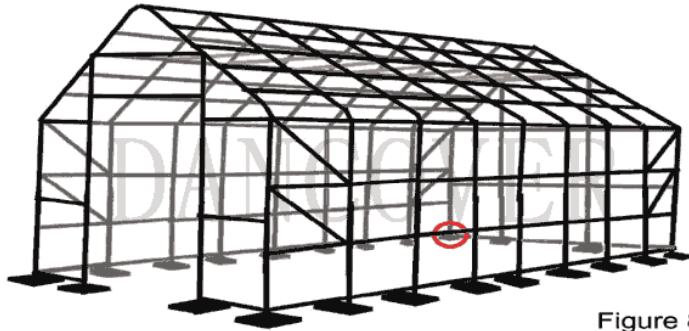


Figure 8

Step #7

Tie in a crossbeam in one side of the cover. as shown in figure # 10.

Step #8

Pull the cover over the top of the structure using 3 ropes tied to the crossbeam.

See figure # 11

Step #9:

Make sure that the cover sits on evenly on both sides of the frame.

Step #10:

Tie the cover to the bottom tensioning bar. Make sure that it is tightened.

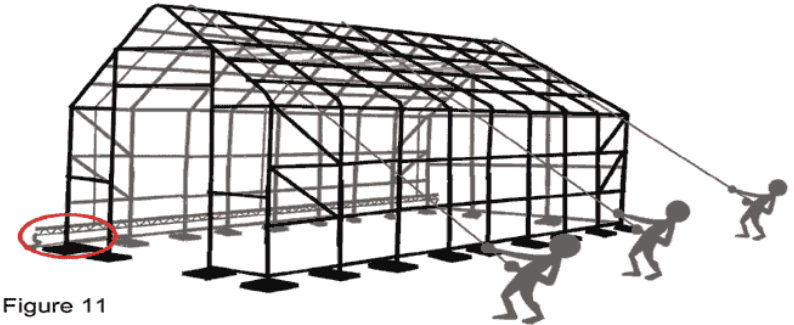


Figure 11

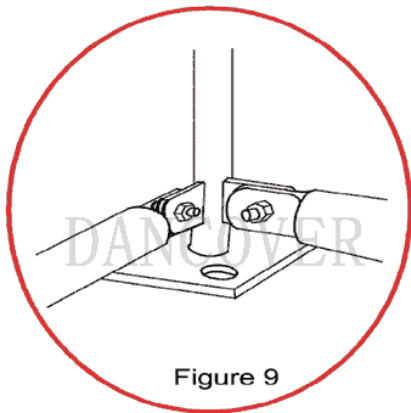


Figure 9

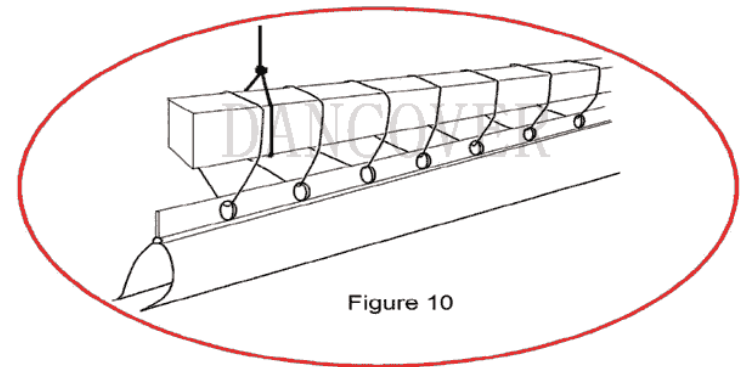
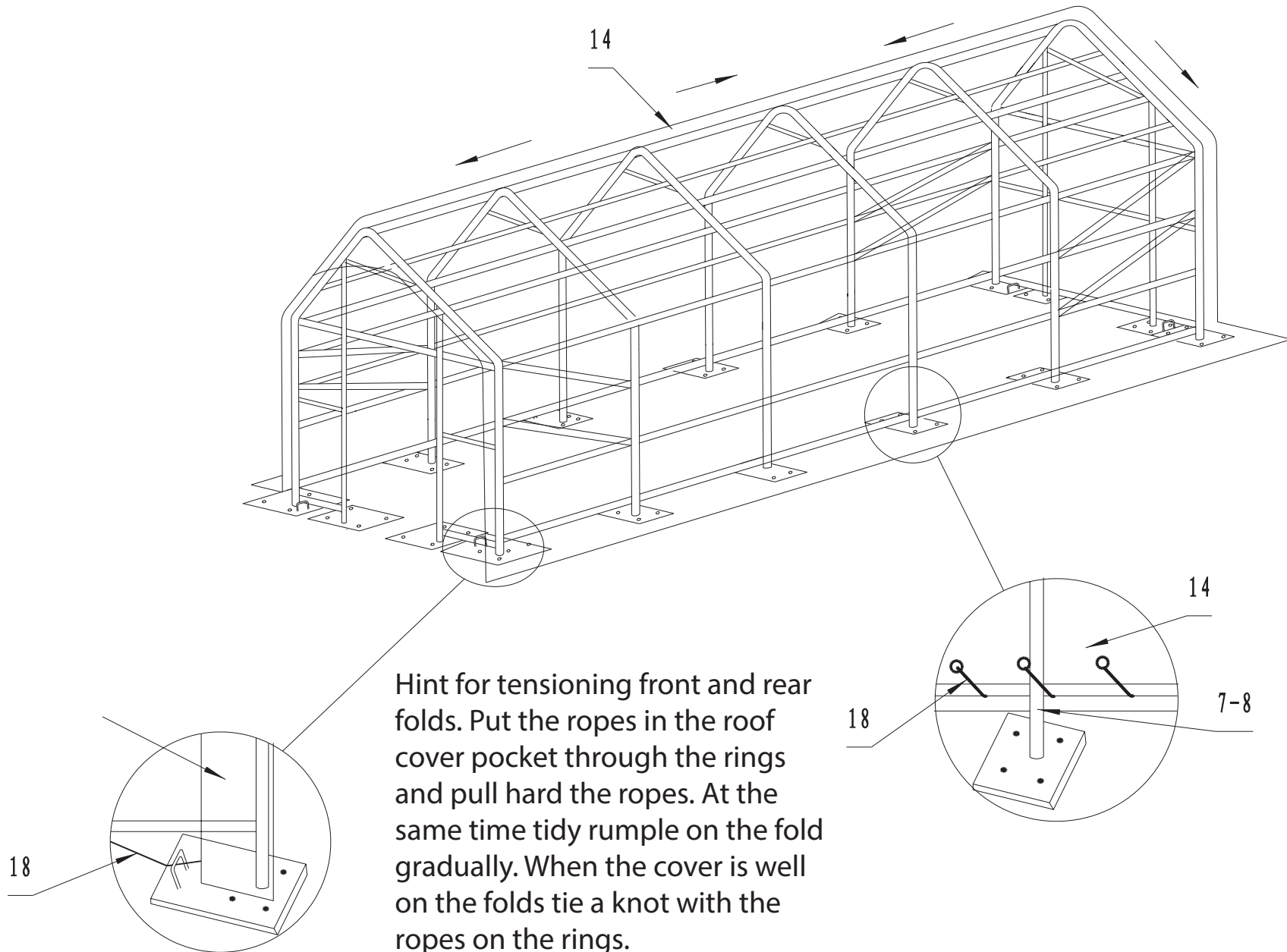


Figure 10

Illustration for installation and tensioning for both sides of the roof cover

8x9x3x5 used for this illustration



Hint for tensioning front and rear folds. Put the ropes in the roof cover pocket through the rings and pull hard the ropes. At the same time tidy rumple on the fold gradually. When the cover is well on the folds tie a knot with the ropes on the rings.

Step # 11:

Mount the front and the back cover by weaving the rope around the bars as shown in figure # 12 and # 13. Do the same with the roof cover. Make sure to use one rope for each covers.

Step # 12:

Make sure that the edge of the roof cover overlaps the front/back cover (over the end bars) as shown in figure #14. Slide a rope through the end sleeves and tighten the rope through the hoops of the corner footplates.

Step # 13:

Make sure all ropes are secured and tight.

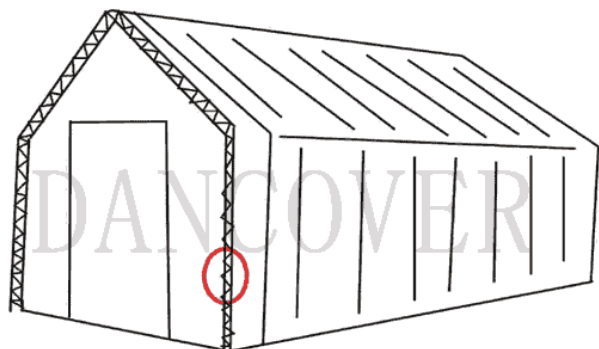


Figure 12

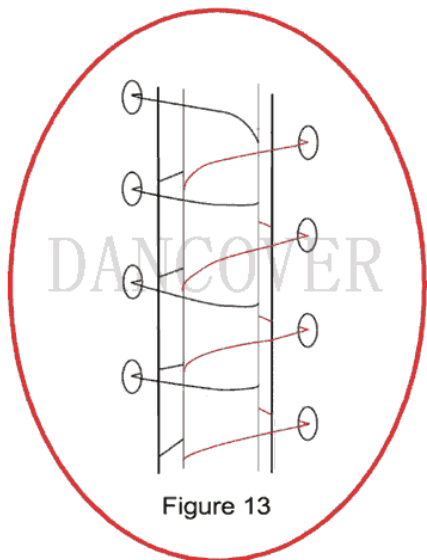


Figure 13

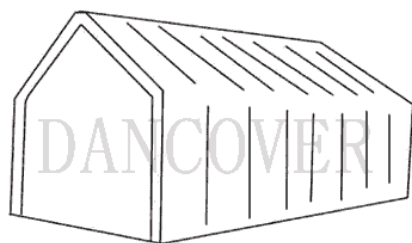
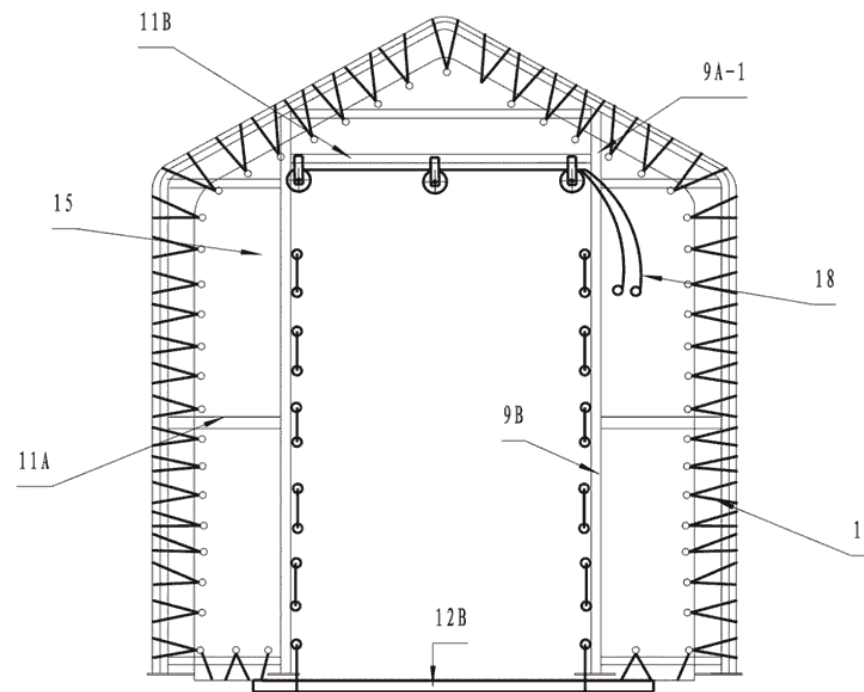


figure 14

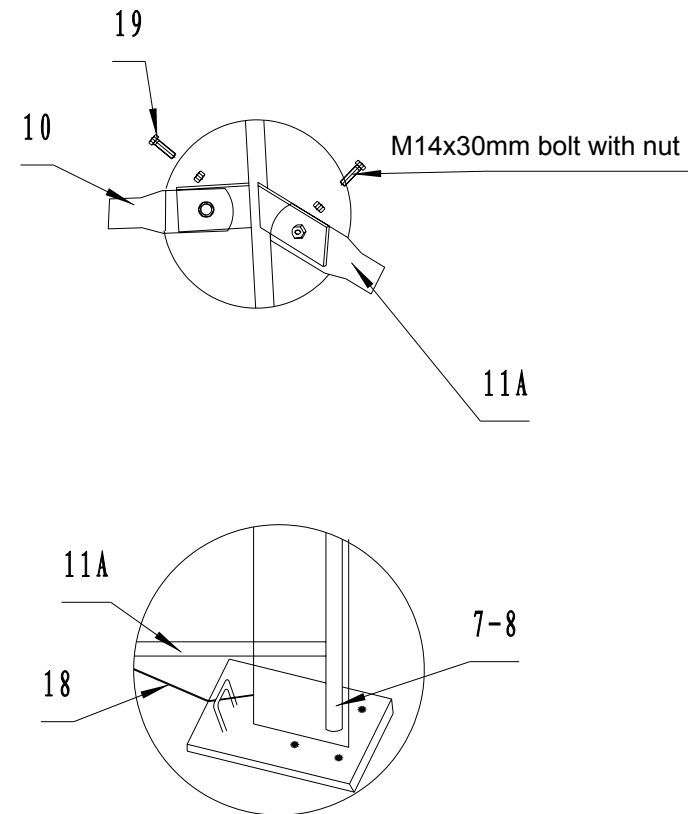
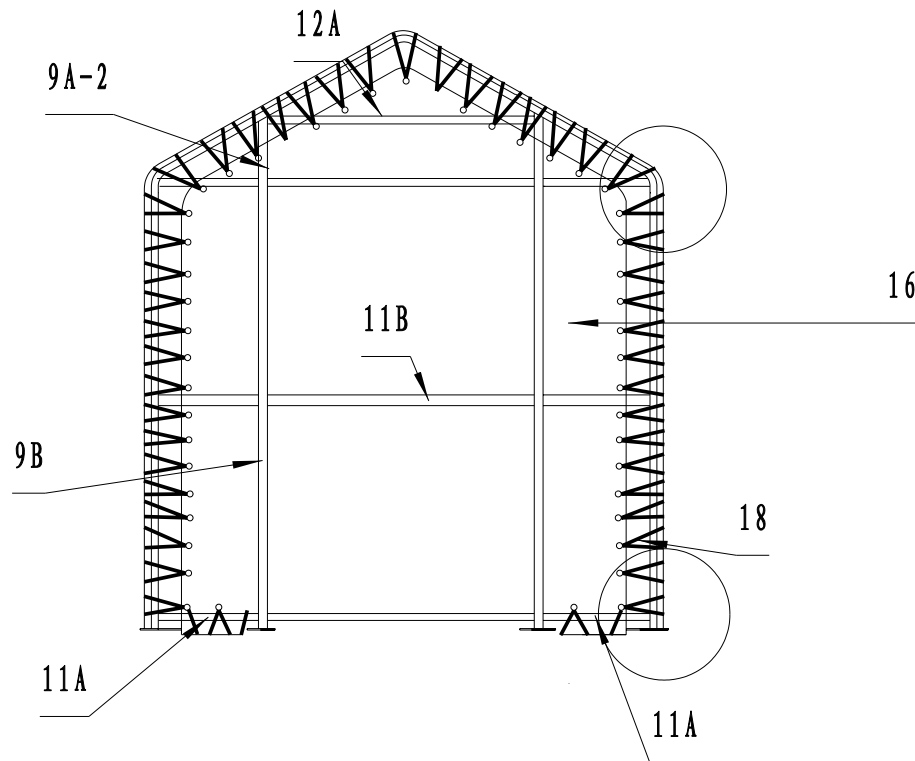
1. pls fix the edges of front cover to the frame by rope and insert the door dropping tubes into the bottom pocket of front cover
2. Pls put the rope in the left eyelets through the tackles on the cross tube and drop it down on the right tackle.
3. When you want to open the door, firstly pls open the velcro and go into the tent. Then pls pull the two ropes on right to raise the door. When the door is raised to top pls bind the two ropes to standing legs.



Hint for tensioning cover to frame

Both sides and top part of rear cover are tightened to the frame by rope.

The bottom part of rear cover is fastened to the tensioning tube by rope.



Contact information

Head office:

Dancover A/S
Nordre Strandvej 119 G
3150 Hellebæk
Denmark

For more information
please visit:
www.dancovershop.com

National contact

Denmark:
denmark@dancover.com

UK:
uk@dancover.com

Germany:
germany@dancover.com

France:
france@dancover.com

Sweden:
sverige@dancover.com

Finland:
suomi@dancover.com

Poland:
polska@dancover.com

Luxembourg:
luxembourg@dancover.com

Spain:
espana@dancover.com

Italy:
italia@dancover.com

Switzerland:
schweiz@dancover.com

Austria:
austria@dancover.com

Norway:
norge@dancover.com

Nederland:
nederland@dancover.com

Ireland:
ireland@dancover.com

Belgium:
belgique@dancover.com