

DANCOVER[®]

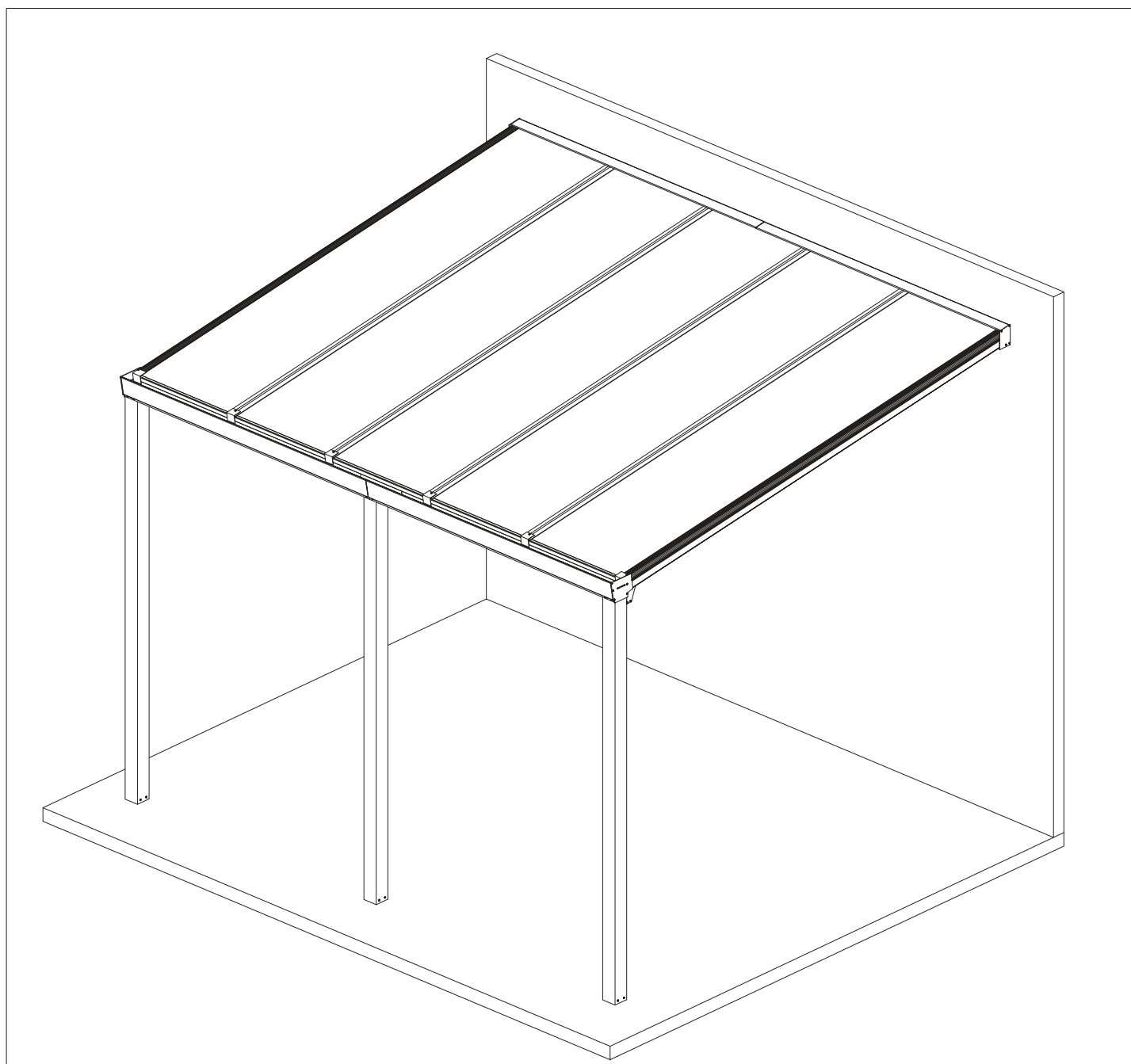


Manual
for
Patio Cover Easy
3x4m

Patio Cover

EN - Assembly Instructions

With gutter reinforcement profile
and poles at the end of the gutter



Manual for the end user and the installer:

Dear customer,

Thank you for purchasing one of our Patio Covers. This manual provides all the necessary information to quickly become familiar with the product. We kindly ask you to read this information carefully before working with the product.



This manual is intended for the end user and installers. We recommend that the assembly of this construction be carried out by (at least) 2 qualified persons.

The assembly of the product is described in 2 chapters:

- 1: Preparation for assembly (from page 1)
- 2: Assembly (from page 10)

This is the original manual, look after it!

Product Description:

The Patio Cover may only be used to cover a terrace. Any use, other than defined here, is seen as unintended use. The manufacturer cannot be held responsible for any (consequential) damage caused by unintended, improper or unwise use.

Symbols used:

This symbol means that the product is not included and you have to purchase it yourself.



This symbol means that you must use the supplied screw. The type and number of screws are shown beneath the image.

Environmental conditions:

This product is intended for outdoor use and may get wet.

Tools Required:

- Stanley knife or scissors
- Drill Ø 5mm
- Hole Saw Ø 82mm
- Cordless power drill
- Hacksaw
- Cartridge gun with silicone sealant
- Cleaning tools and cleaning products
- Pencil
- Hammer
- Mounting fixings
- Acrow props
- Shovel
- Spirit level
- Measuring tools (tape measure or ruler)
- Climbing equipment (step ladders or mobile scaffolds)

Precautions and Safety Instructions:**Warning!**

- If your Patio Cover contains lighting or heating, the electrical installation may only be carried out by a qualified installer.
- The end user is responsible for the correct installation and use of the product. Improper assembly or improper use may cause damage to, or a defect in, the product. The warranty is void if the product and/or the electronic components are damaged due to improper assembly or use.
- Observe local laws and regulations when assembling and/or using the product.

Please note!

- Mounting materials that are not included must be purchased separately because each situation requires different fixings and depends on the substrate or construction to which it needs to be affixed. Always seek advice from a specialist building supplier about what is required in your particular situation and only use stainless steel fixings.
- All screws should be carefully tightened with a torque of 1.0 Nm. Make sure you tighten the screws with caution, when screwing into soft materials like aluminium, screws can easily get "stripped".
- When unpacking, check that all parts are present and check all components for possible damage.
- Contact your supplier if any parts are missing or damaged, if possible, take photographs of any damaged packaging and parts.

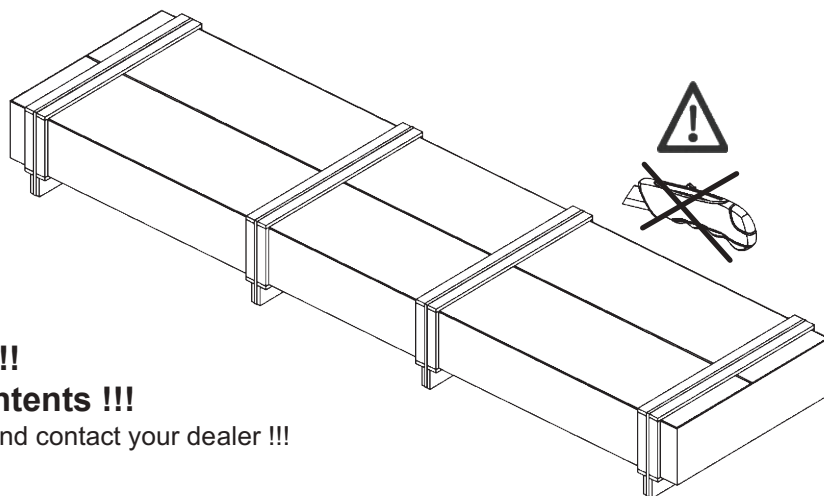
Maintenance, environment and disposal:

- Clean the product when dirty or at least every 6 months to ensure a longer product life.



The symbol on the material, the accessories or packaging indicates that this product may not be treated as household waste. Dispose of the device through a collection point for recycling waste electrical equipment within the EU and in other European countries that have separate collection systems for used electrical and electronic equipment. Properly disposing of the device helps you to prevent possible environmental and public health hazards that would otherwise be caused by improper handling of the waste device. Recycling materials helps to conserve natural resources, so do not dispose of your old electrical and electronic equipment through household waste.





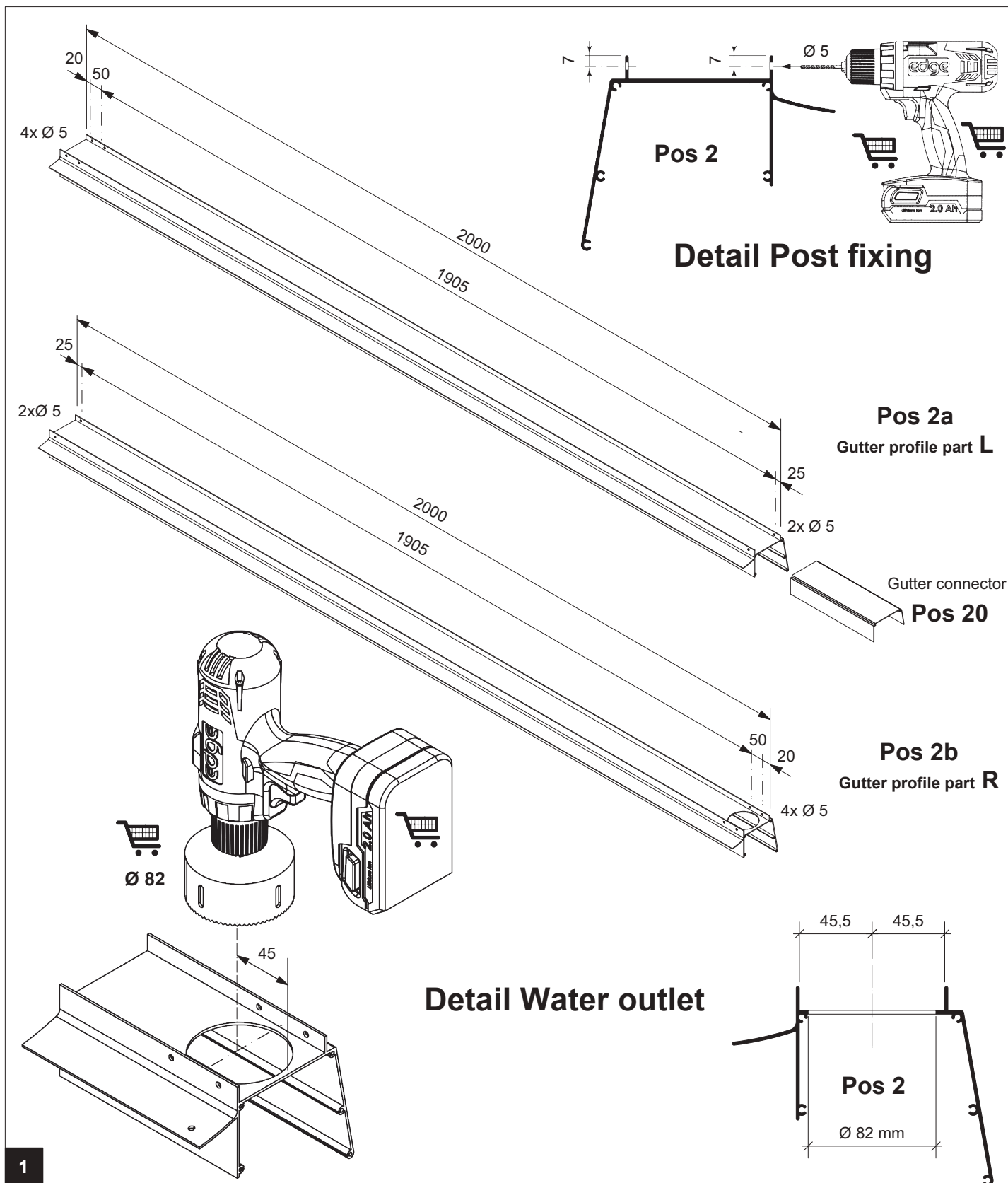
Open the packaging with caution !!!

Check for missing or damaged contents !!!

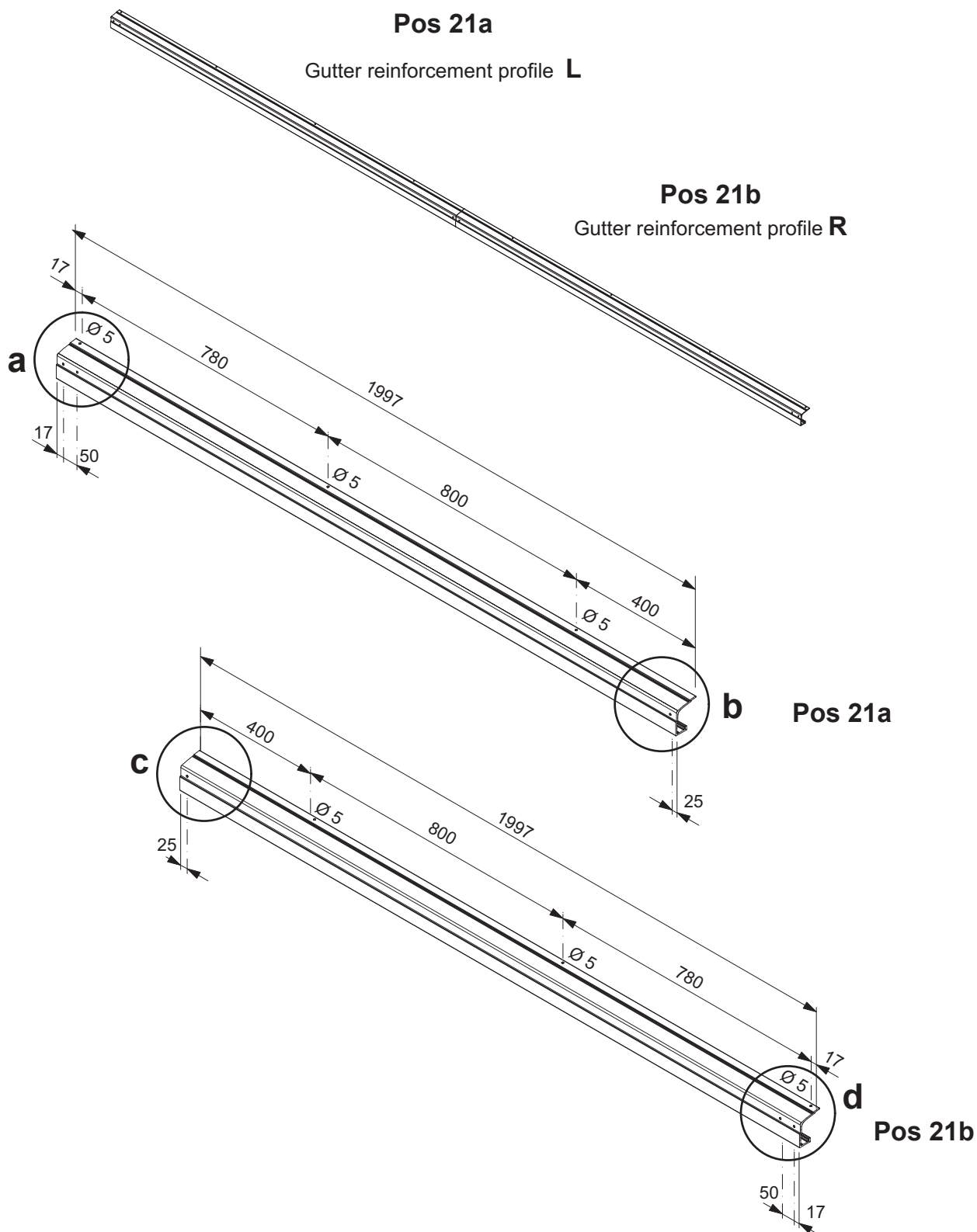
In the case of shipping damage, make photos and contact your dealer !!!

PACKAGE CONTENTS:

Pos. :	Article number:	Description:	Aantal:	Number:	Figure:
1	100.1140	Wall profile	2	2000 mm.	
2	100.1141	Gutter profile	2	2000 mm.	
3	100.1142	Intermediate support profile	4	2950 mm.	
4	100.1177	Side support profile	2	2950 mm.	
5	100.1017	Post 90x90 mm.	3	2100 mm.	
6	100.1058	Condensation profile	5	775 mm.	
7	102.1307	Angle plate	6	pieces	
8	102.1306	Wall profile end plate	2	pieces	
9	102.1305	Gutter profile end plate	2	pieces	
10	106.1018	Rubber cover seal	21	meter	
11	106.1001	Spaghetti seal	34	meter	
12	102.1215	Elevation profile	3	745	
12a	" "	" "	2	717,5	
13		Self-adhesive PE tape	4,1	meter	
14	120542	Glazing seal	4,1	meter	
15	103.1000	Screw 4.2x19	80	pieces	
16	103.1001	Screw 4.2x32	10	pieces	
17	0000959	8,76 mm laminated Glass 44.2	5	775x3000 mm	
18	100.1308	U bracket	3	pieces	
19	102.1169	Leaf trap	1	pieces	
20	102.1317	Gutter connector	1	pieces	
21	100.1176	Gutter reinforcement profile	2	1997	
22	102.1319	End Plate for reinforcement profile	2	pieces	

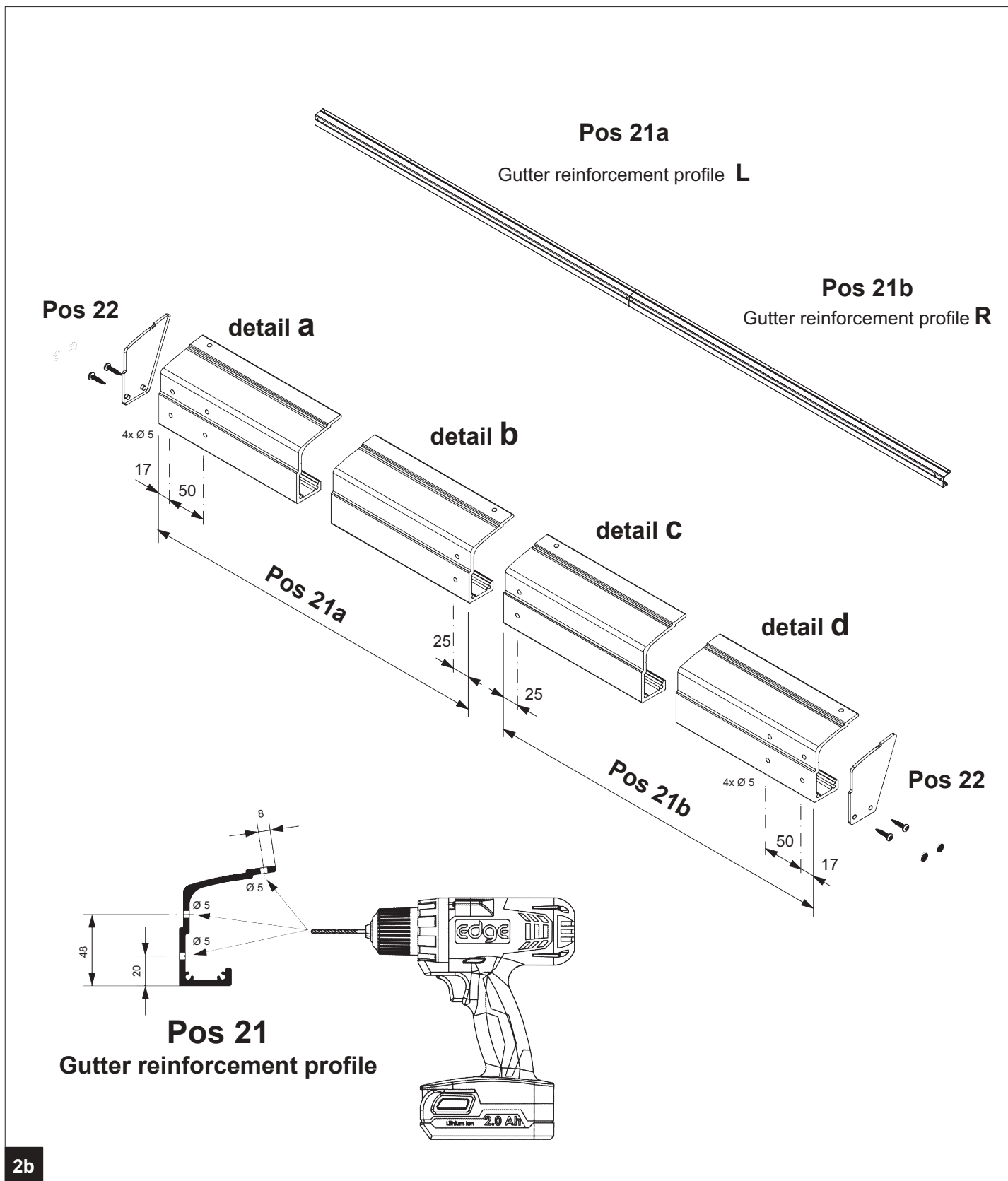


1 Drill the Gutter profiles according to the above dimensions and Details



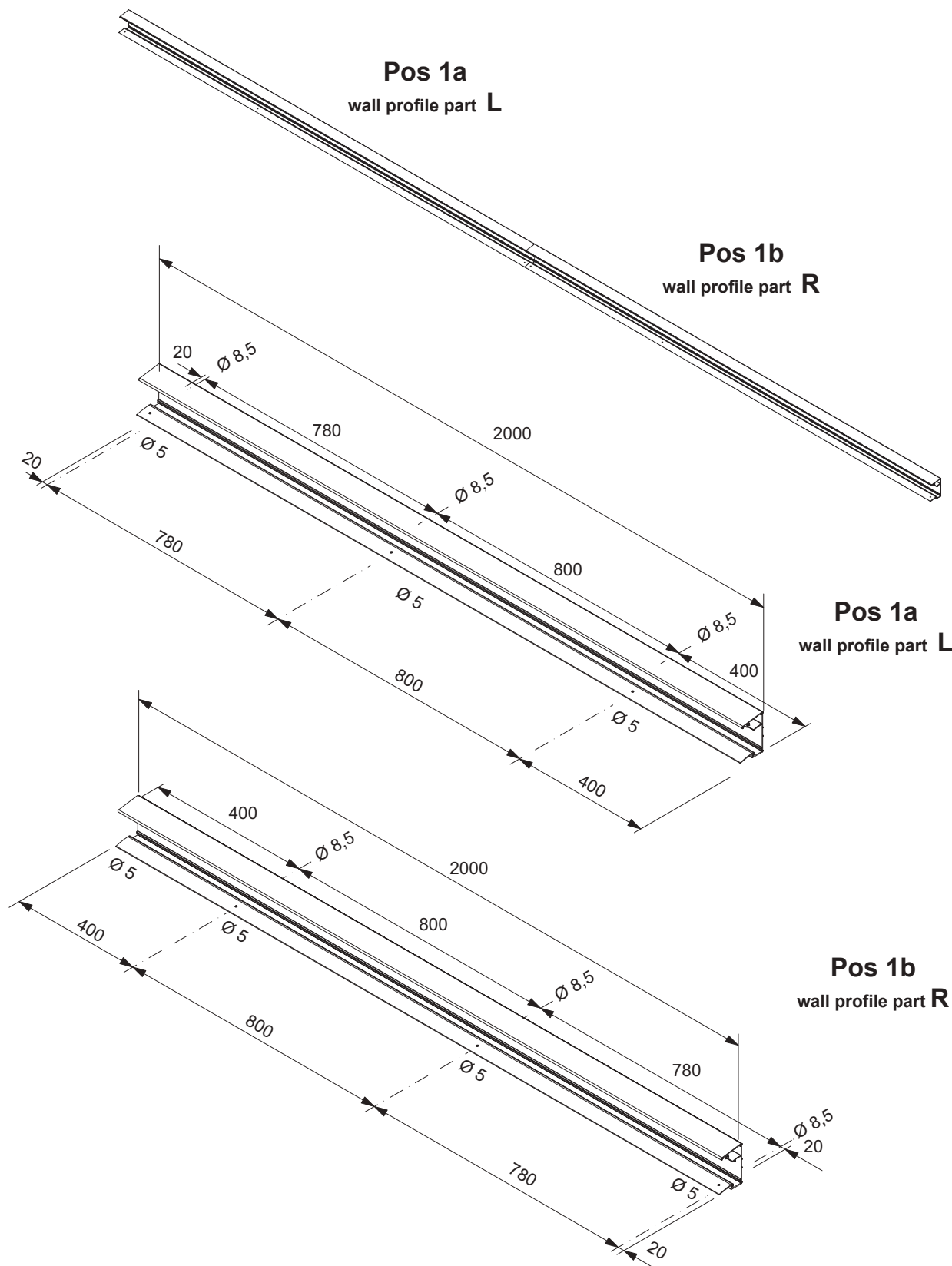
2a

Drill the Gutter reinforcement profiles according to the above Details and dimensions



2b

Drill the Gutter reinforcement profiles according to the above Details and dimensions



3

Drill the Wall profiles according to the above dimensions and Details shown in step 4

Details Wall- and Support profile fixings

Place rubber seal firmly under the edge of Wall profile

Pos 13
Self-adhesive PE tape

22

Pos 1

57

Ø 8,5 *

Pos 14

Pos 10

Ø 5

4

Wall fixings are NOT included, they must be purchased separately because each situation requires different fixings and depends on the substrate or construction to which it needs to be affixed. Always seek advice from a specialist building supplier about what is required in your particular situation and only use stainless steel fixings.

* Drill diameter may differ from Ø 8.5 mm depending on fixings .

Drill the Wall profiles according to the above Details and Dimensions as shown in step 3

20

50

20

90

Ø 5

detail A

Pos 5

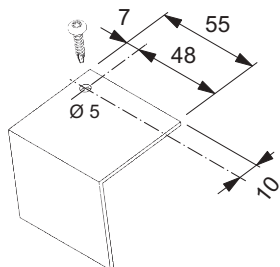
2090

A

5

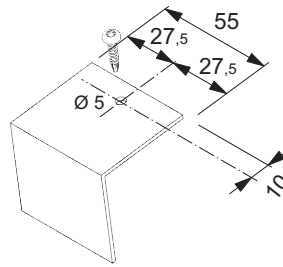
Drill the Post according to the above Detail and Dimensions and cut them to size if mounting on the floor!

1 piece per Patio Cover



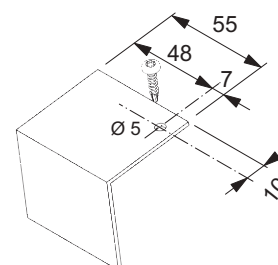
Pos 7a

4 piece per Patio Cover



Pos 7b

1 piece per Patio Cover

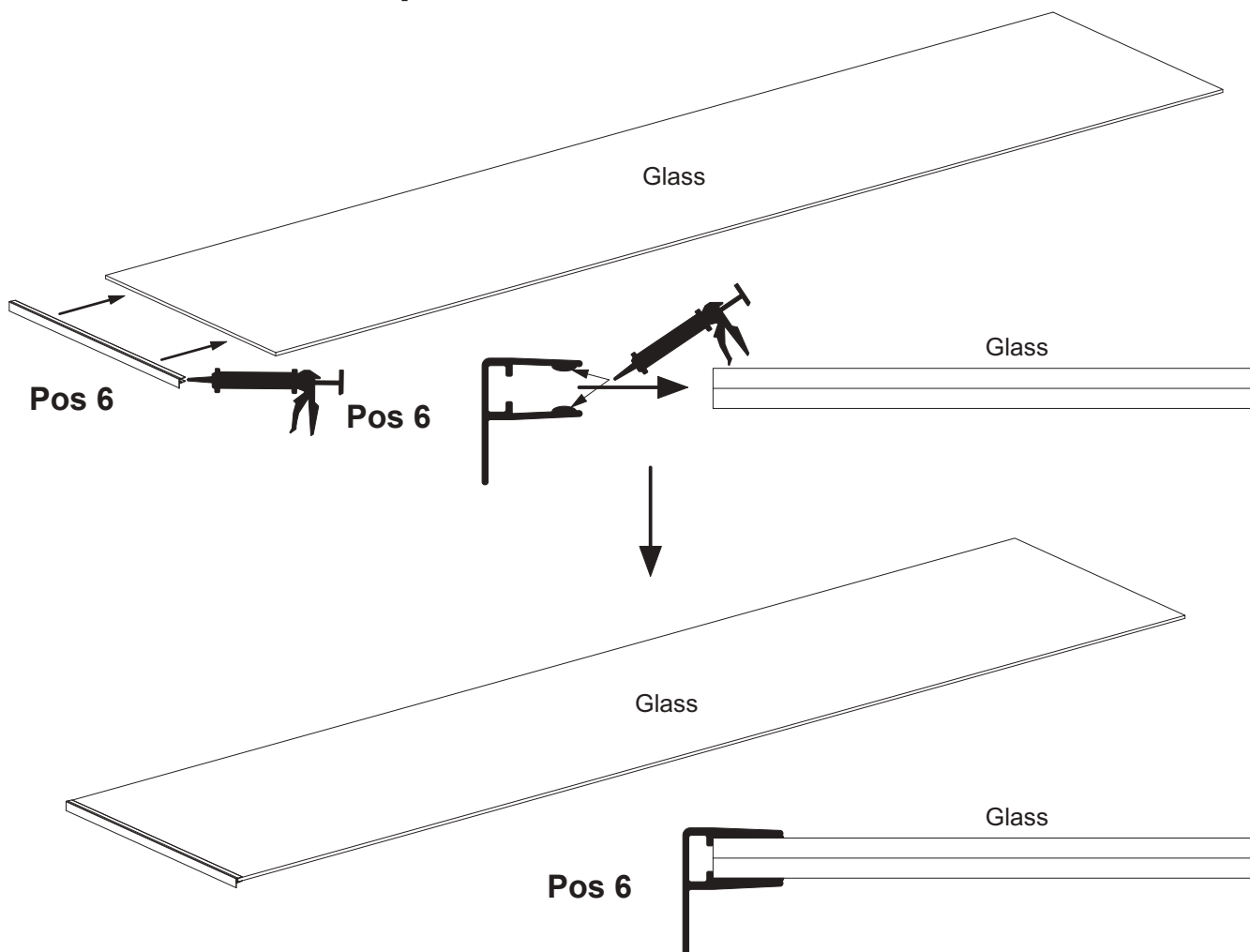


Pos 7c

6

Drill the Angle Plates as shown in above Details

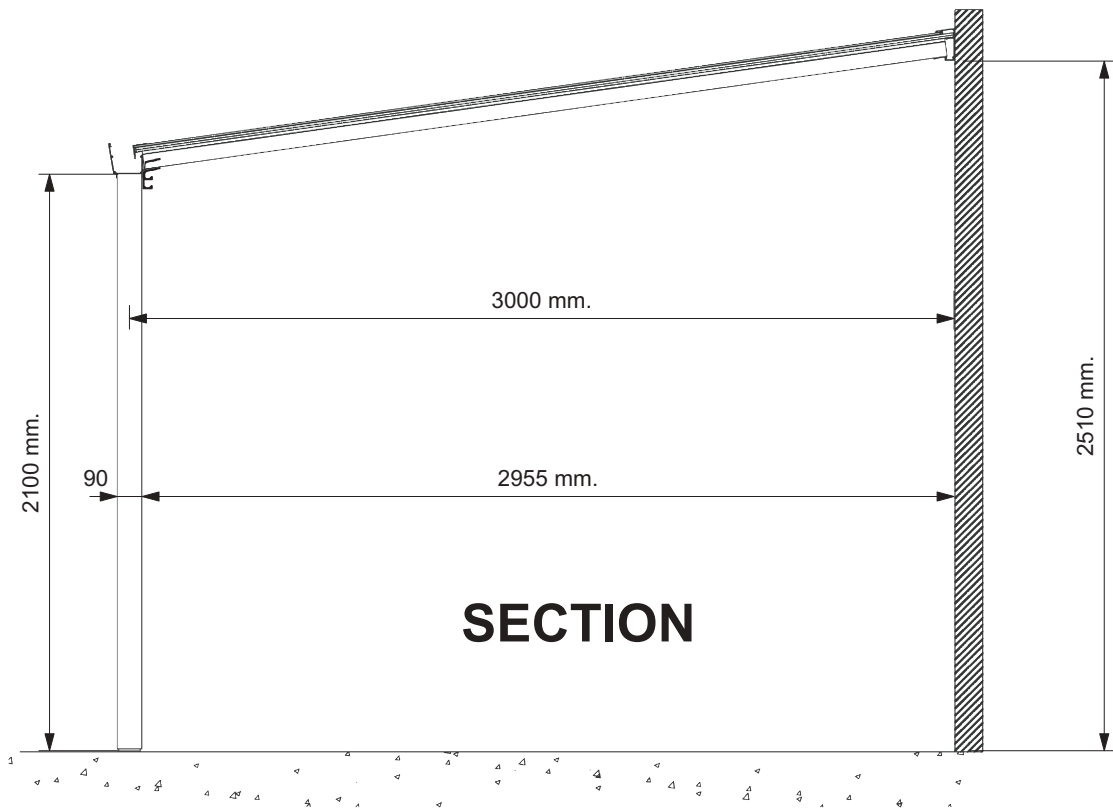
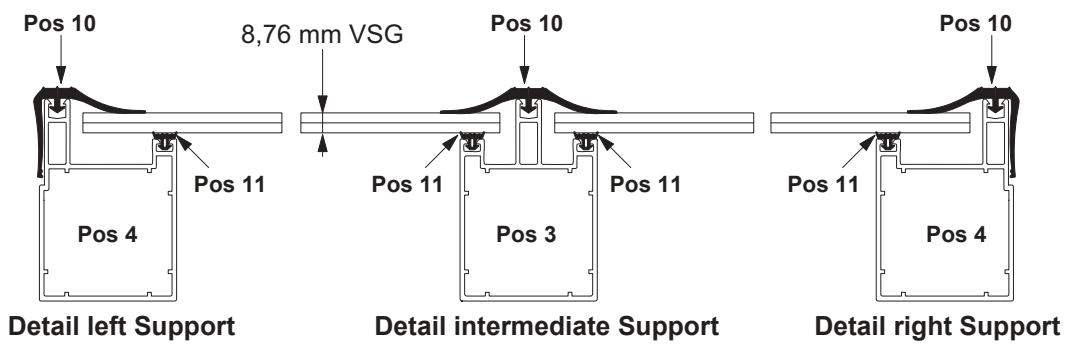
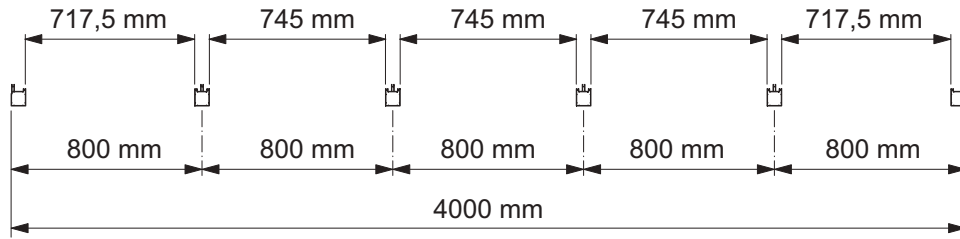
Preparation 8.76 mm Roof Glass

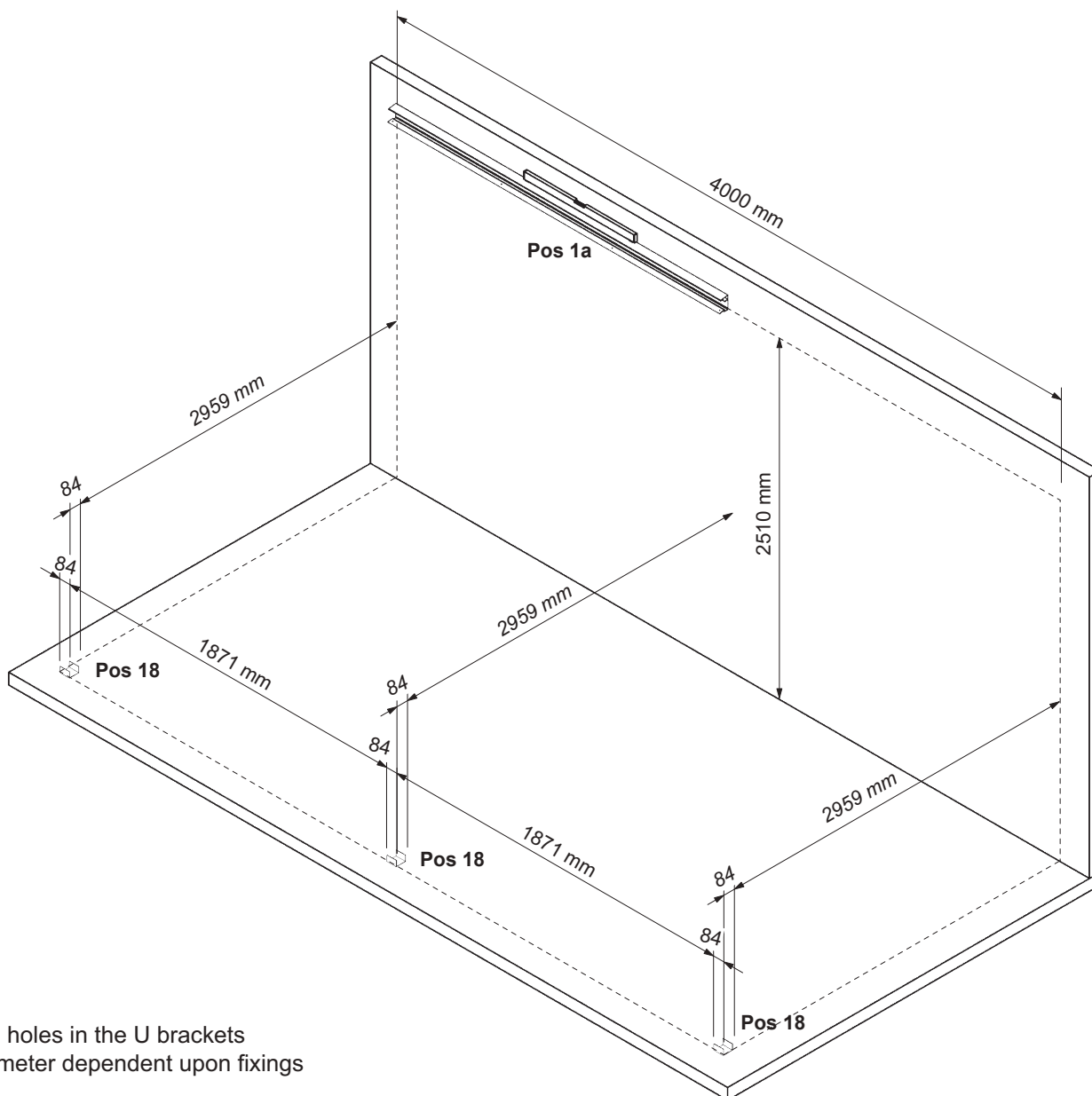


7

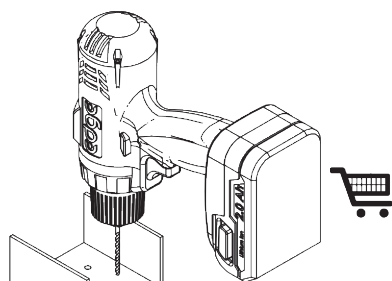
Thoroughly degrease the edge of the Glass on the side where the condensation profile will be mounting.
Apply a thin layer of silicone sealant in the condensation profile.
Press the condensation profile on the bottom of the Glass and immediately remove and clean the excess silicone sealant.
Let the Glass pane with the condensation profile dry for a short time until it is bonded and after that mount the Glass pane carefully in the roof construction.

SETTING OUT SUPPORTS

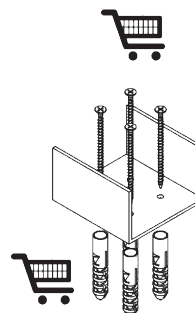




Drill holes in the U brackets
Diameter dependent upon fixings



Pos 18

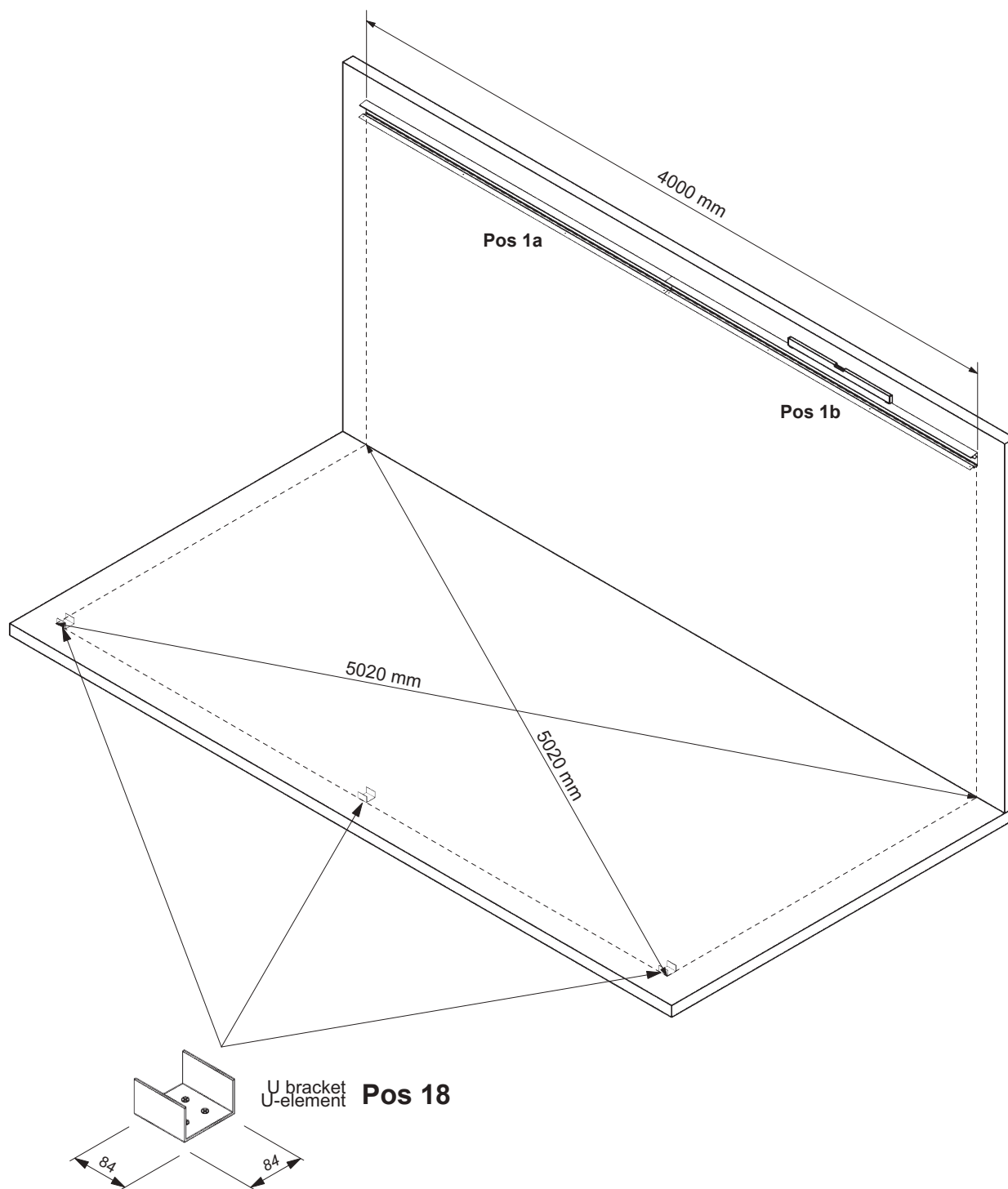


Pos 18

9

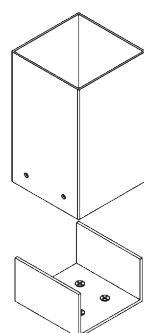
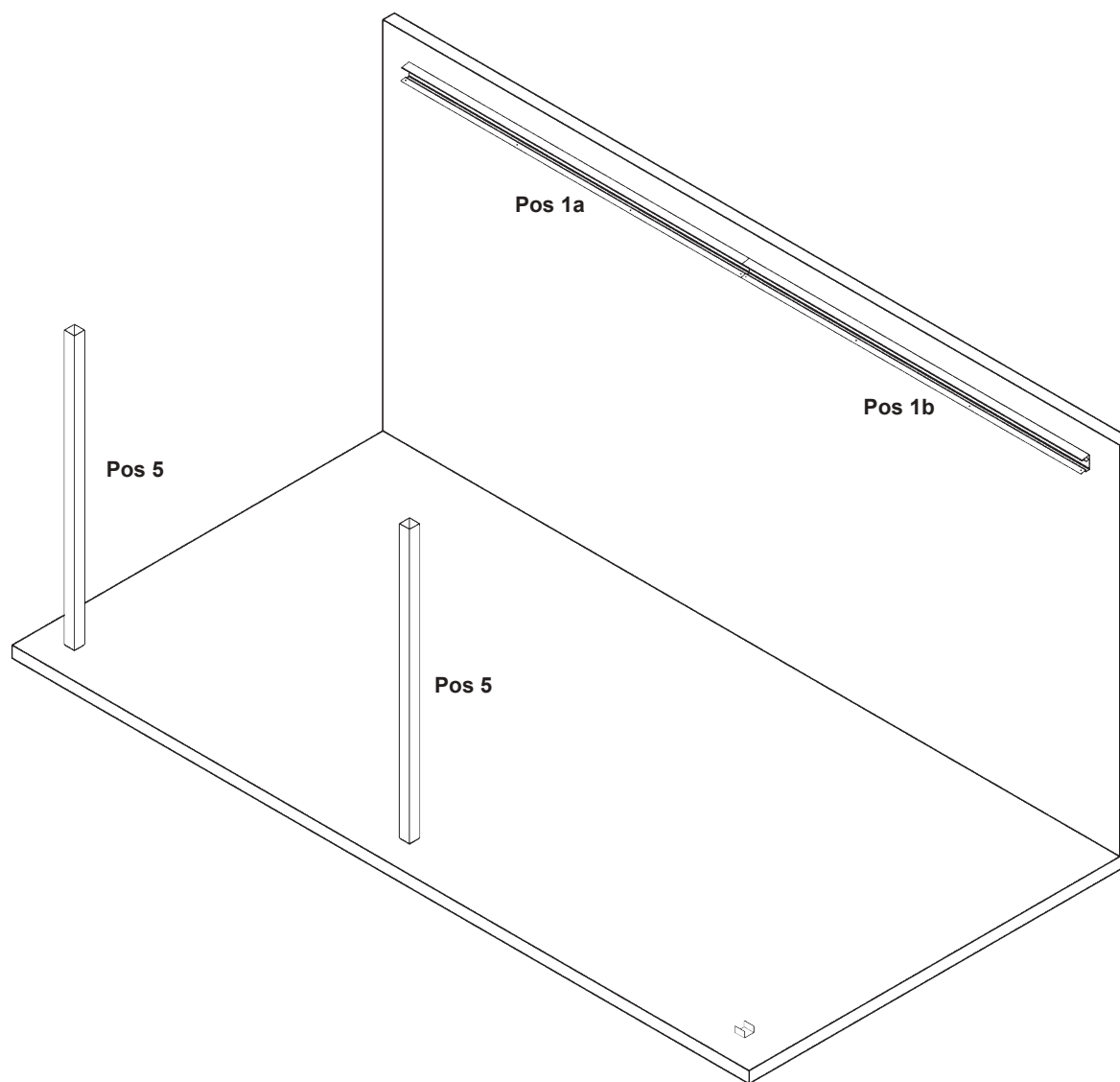
Attach the U-elements to the floor and the 1st part of the Wall profile according to the above dimensions!

Floor and wall fixings are NOT included, they must be purchased separately because each situation requires different fixings and depends on the substrate or construction to which it needs to be affixed. Always seek advice from a specialist building supplier about what is required in your particular situation and only use stainless steel fixings!



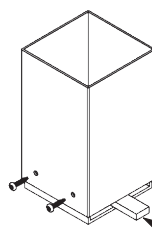
10

Mount the 2nd part of the Wall profile level on the wall!
Check the squareness of the Patio Cover with the diagonal measurements!

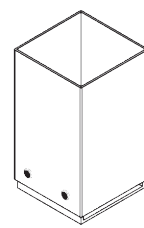


Pos 5

Pos 18



Tijdelijk 7 mm vulplaatje

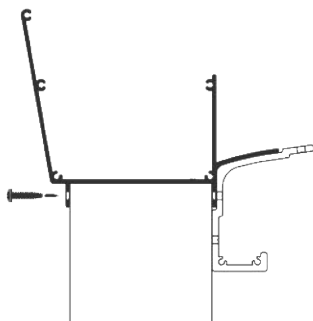
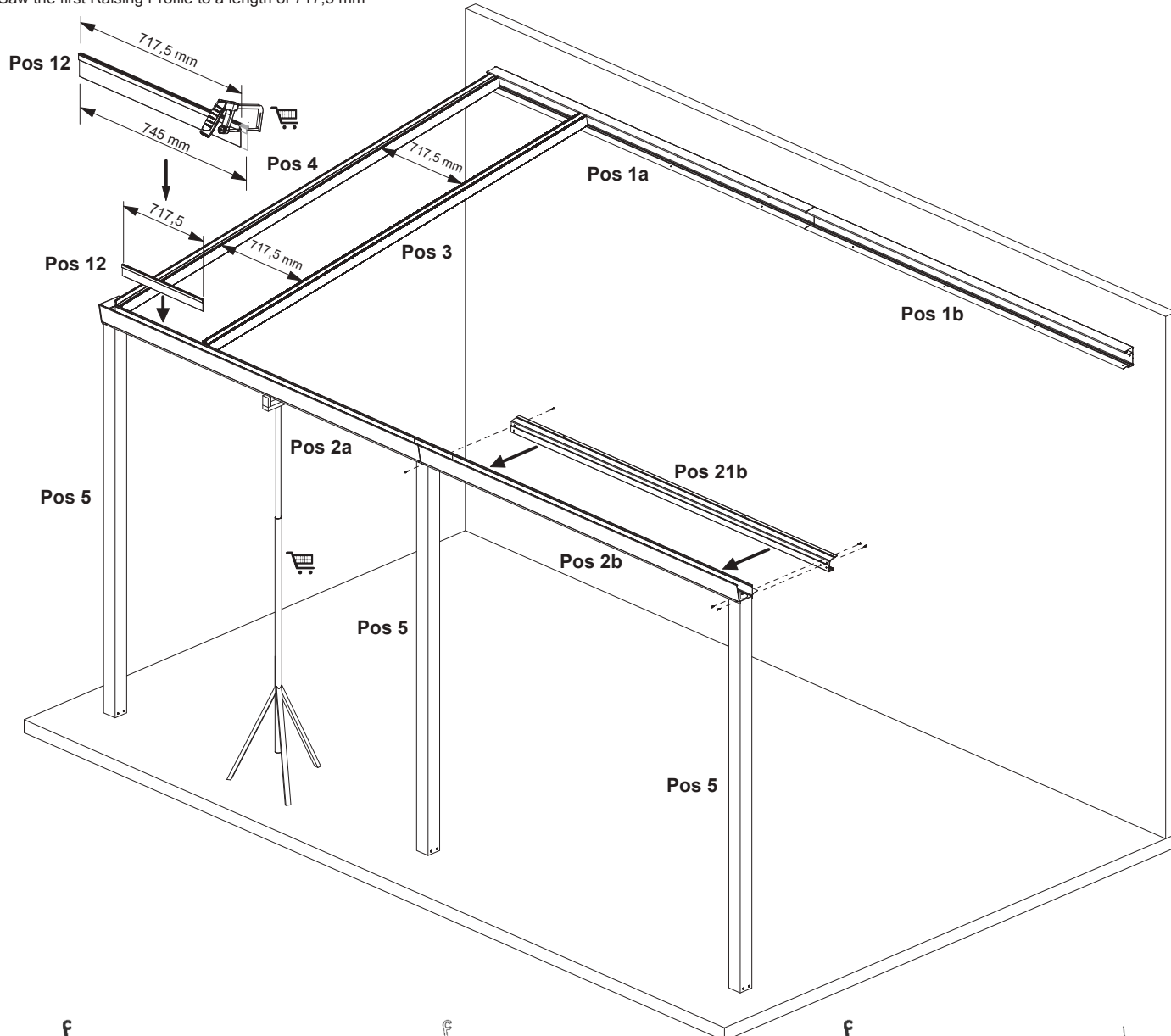


10

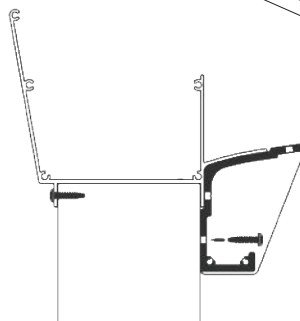
11

Slide the first 2 posts over the U brackets and keep them 10 mm from the floor due to drainage!
Use 7 mm shims to temporarily keep the posts up and screw the posts to the U brackets!

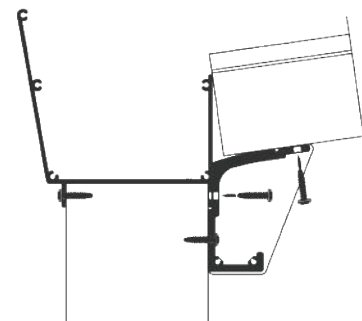
Saw the first Raising Profile to a length of 717,5 mm



Schroef de goot alleen vanaf de buitenkant vast aan de palen.



Duw het Gootversterkingsprofiel strak tegen de onderkant van de goot en schroef dit profiel van binnenuit vast door de onderste gaten aan de palen.



Monteer de Dragers en schroef deze vast door het Gootversterkingsprofiel en schroef het Gootverstevingingsprofiel door de onderste gaten vast aan de palen.

13

Assemble the first intermediate support (cut to size), check again to ensure everything is still straight, square and level!
Thoroughly seal the Gutter and End plate connection to ensure it is watertight!

Spaghetti seal

Pos 11

Pos 12

Pos 3

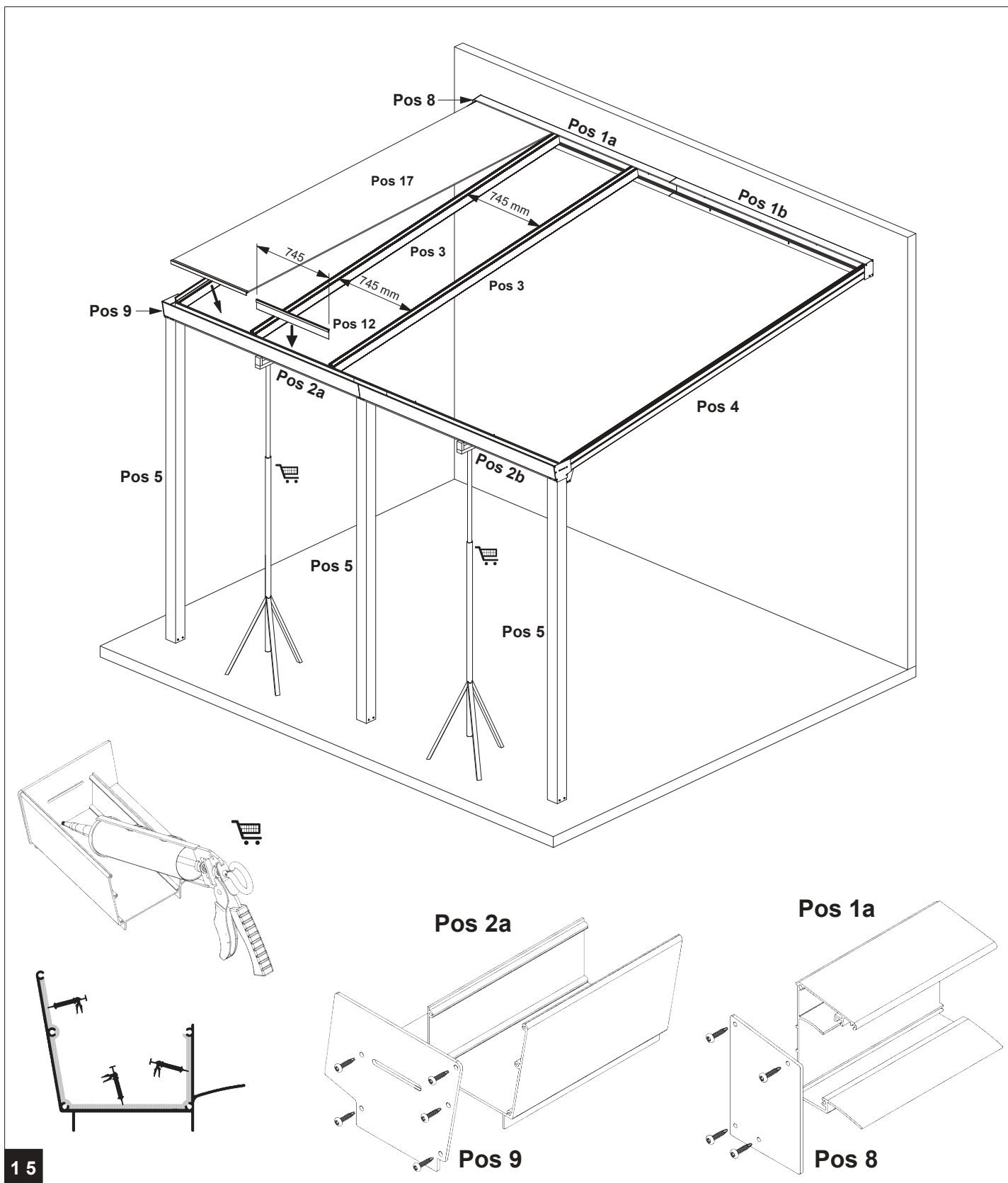
Pos 2

Pos 21

Pos 5

Extension profile with rubber for 4-sided Glass support hooks in the gutter

Extension profile with rubber for 4-sided Glass support hooks in the gutter

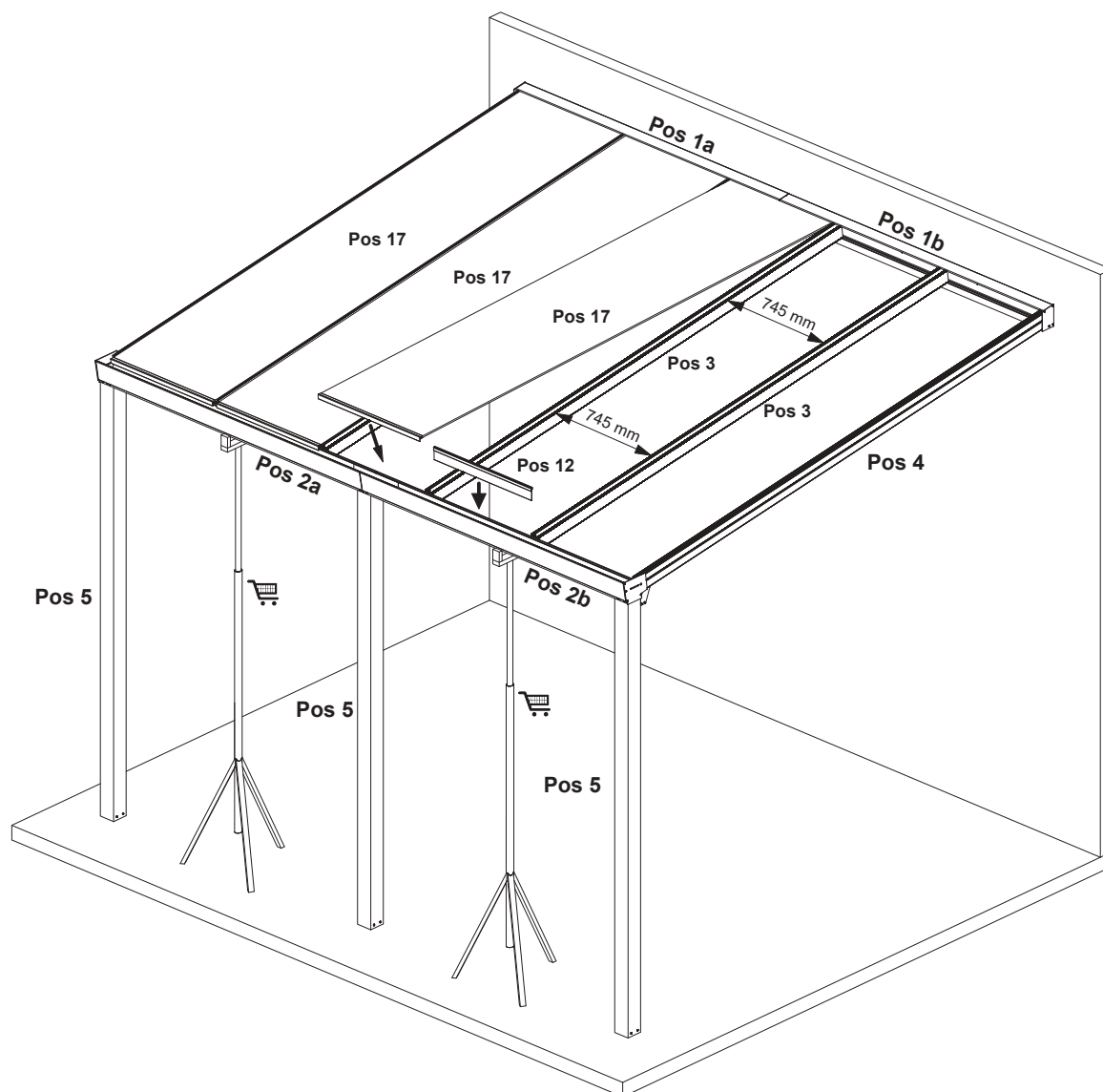


15

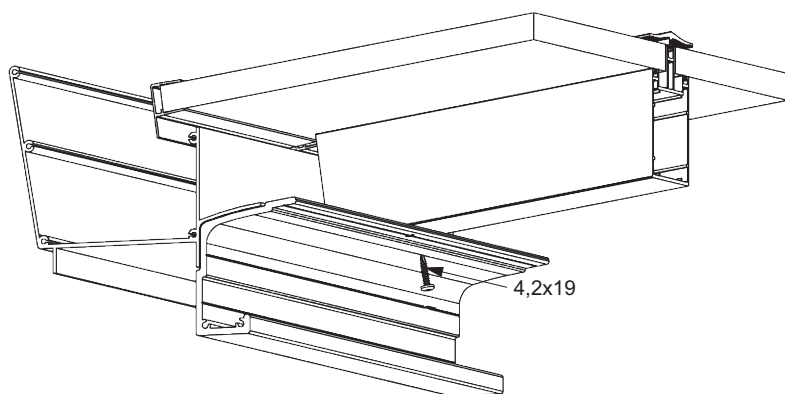
Advice: Place the first Glass sheet in the first section, this sheet ensures that the roof surface stays square!

Attach the right Support !

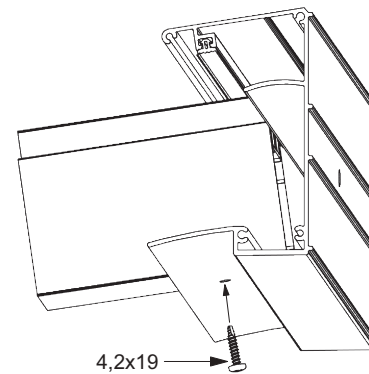
Seal the Gutter Endplate as shown in Details above!



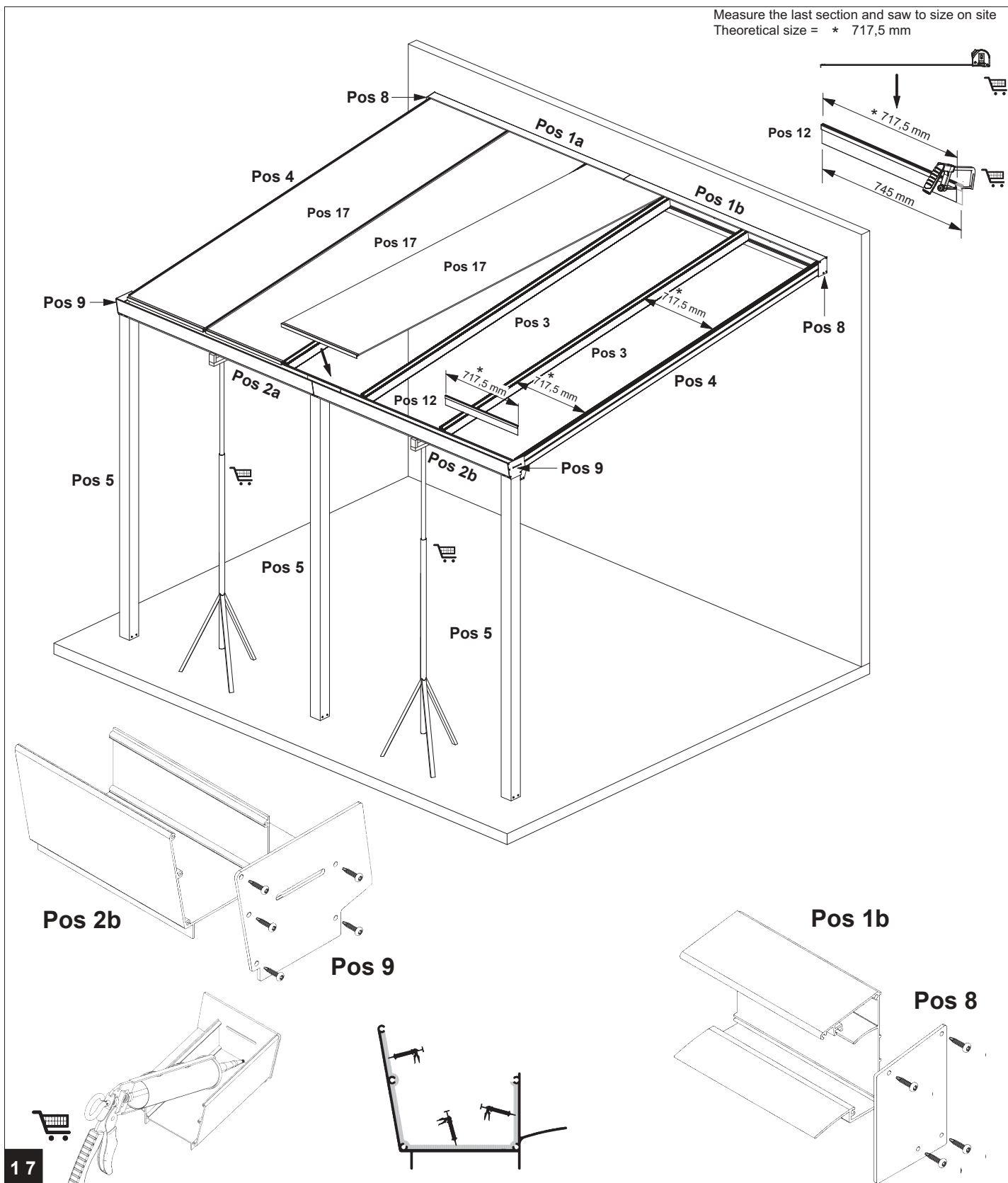
Detail assembling Support to the Gutter



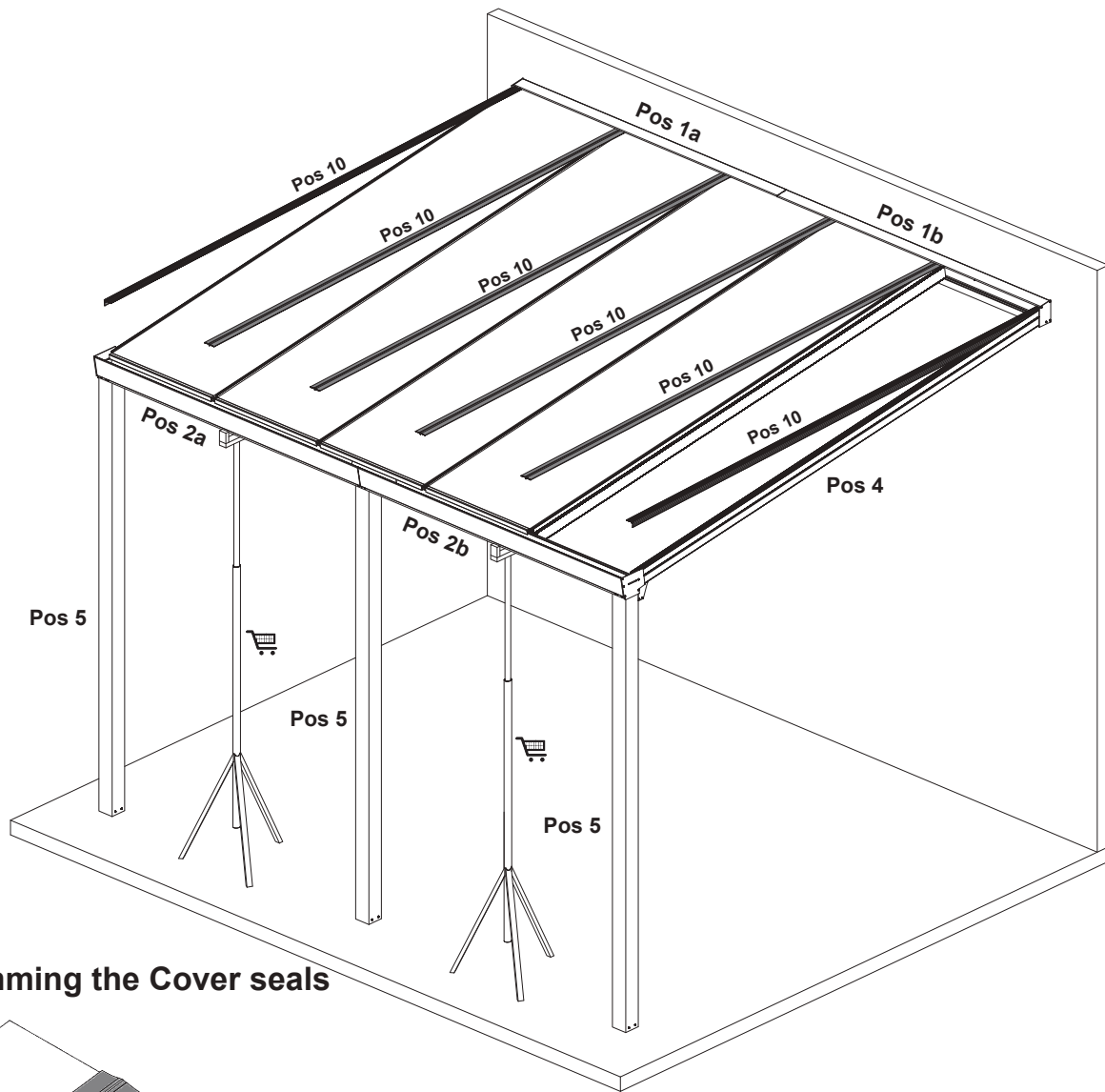
Detail assembling Support to the Wall profile



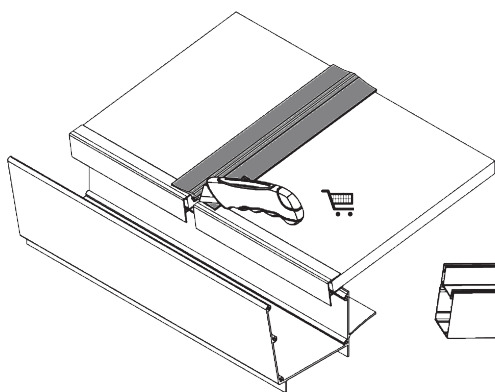
Measure the last section and saw to size on site
Theoretical size = * 717,5 mm



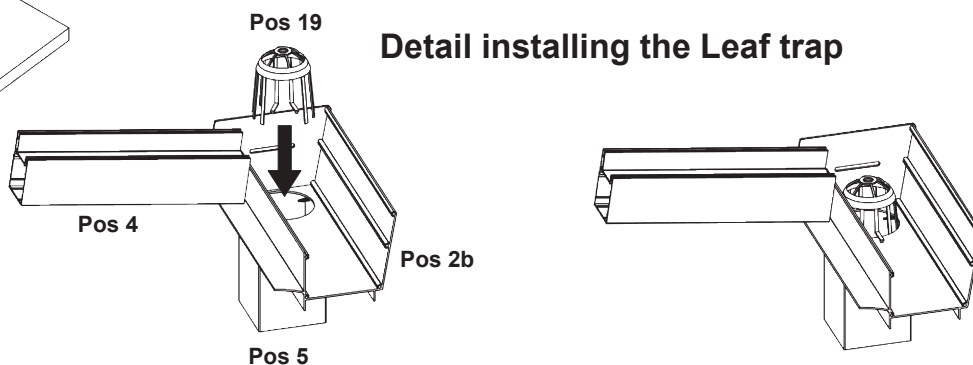
Assemble the remaining intermediate Supports according to the setting out shown above!
Mount the End plates to the right end of the Gutter and the Wall profiles!



Detail trimming the Cover seals



Detail installing the Leaf trap



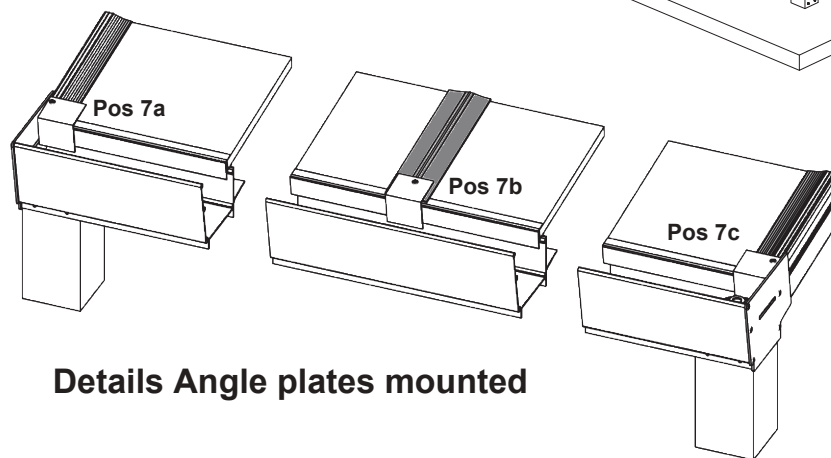
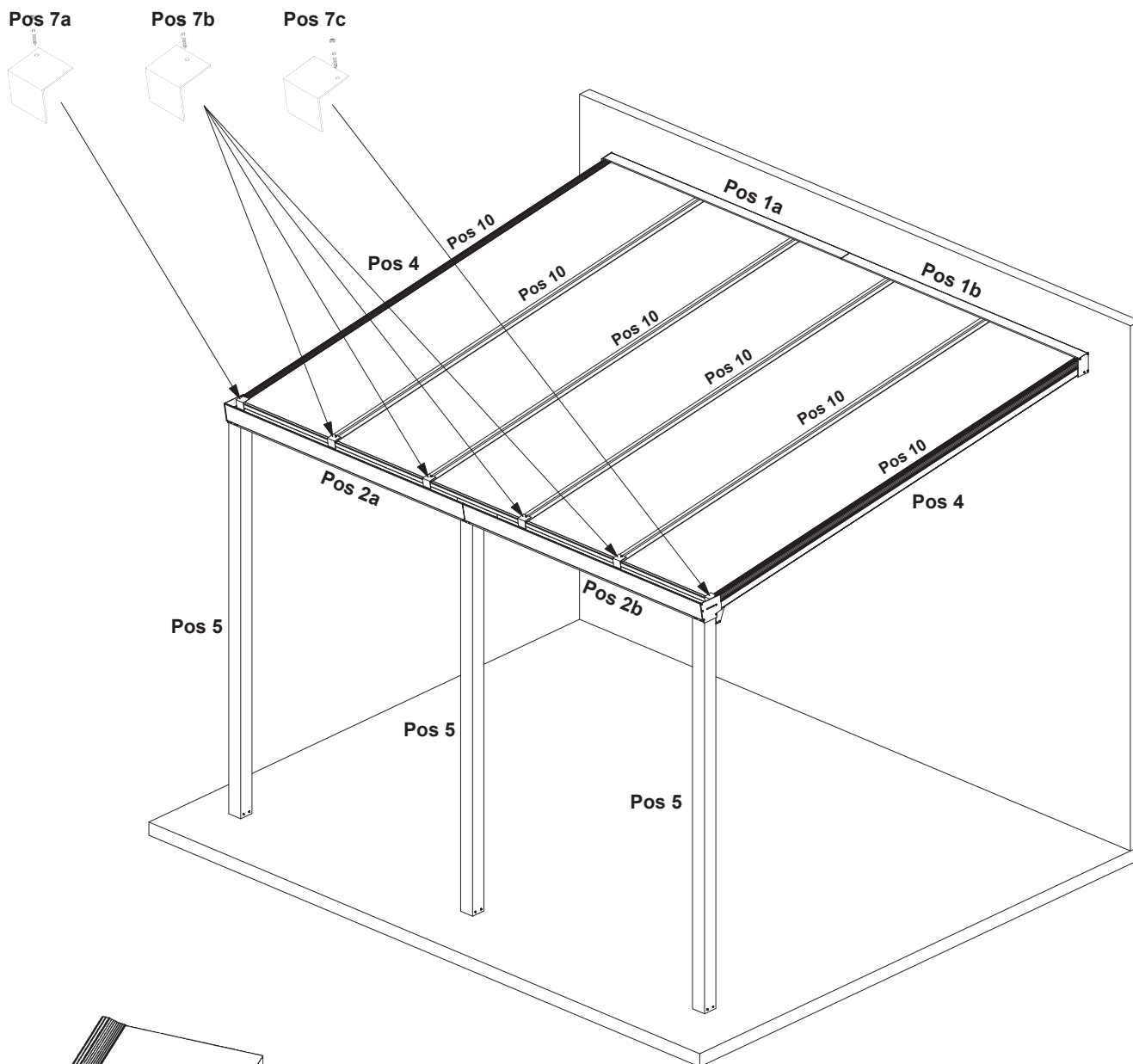
18

Install the Leaf trap!

Install the remaining Glass roofing sheets and fit the rubber cover seals !

Note: Leave the cover seals a little too long and push them `butting` into the roof rails so that they are mounted as relaxed as possible to prevent shrinkage due to solar heat!

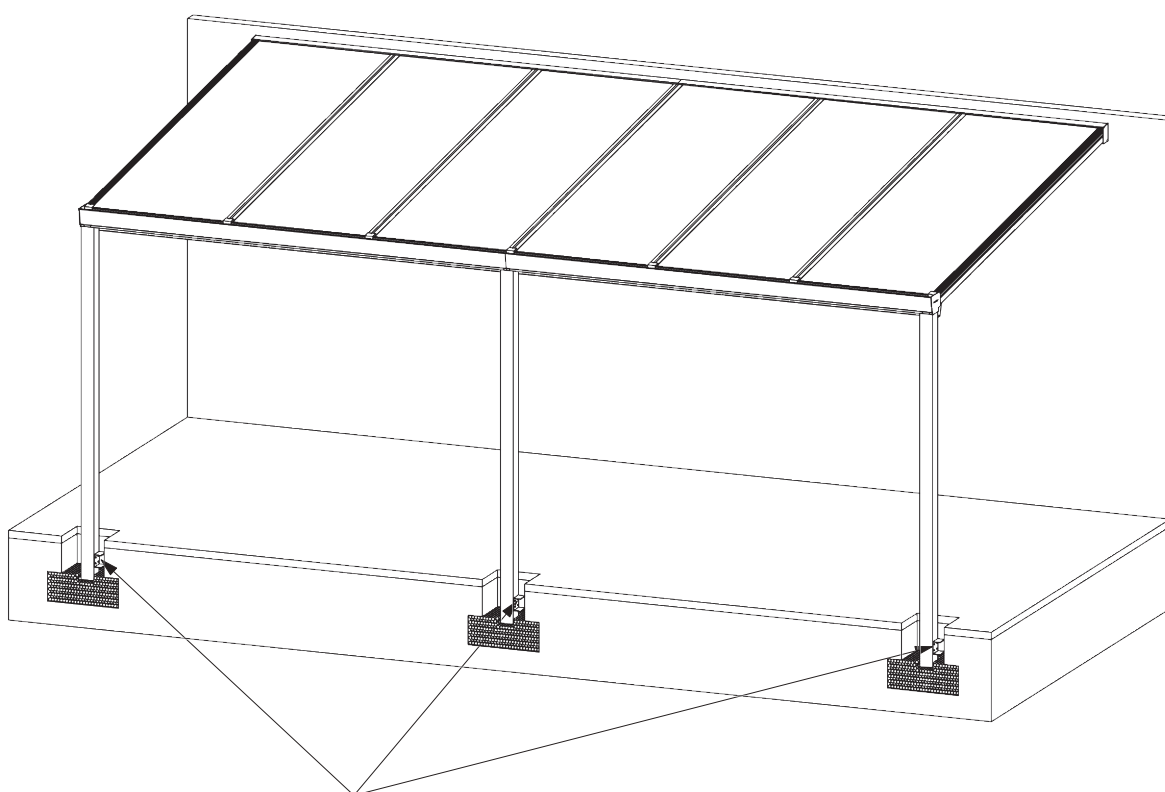
Then cut the Cover seals at the bottom of the Gutter to size!



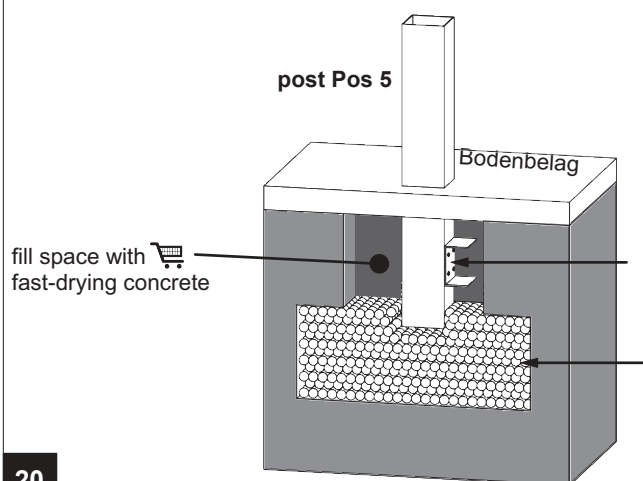
Details Angle plates mounted

ALTERNATIVE GROUND FIXING and WATER DRAINAGE by means of U brackets Pos. 18, which is included as standard

For using this option you need to order more longer posts !!



Detail Foundation and Drainage with Gravel pit



ADVICE!!!

It is advisable to drain into the soil by means of Gravel pits under more than one post so that the drainage is distributed !!
Extra Leaf traps Pos 19 are available from your Easy Edition Dealer !!

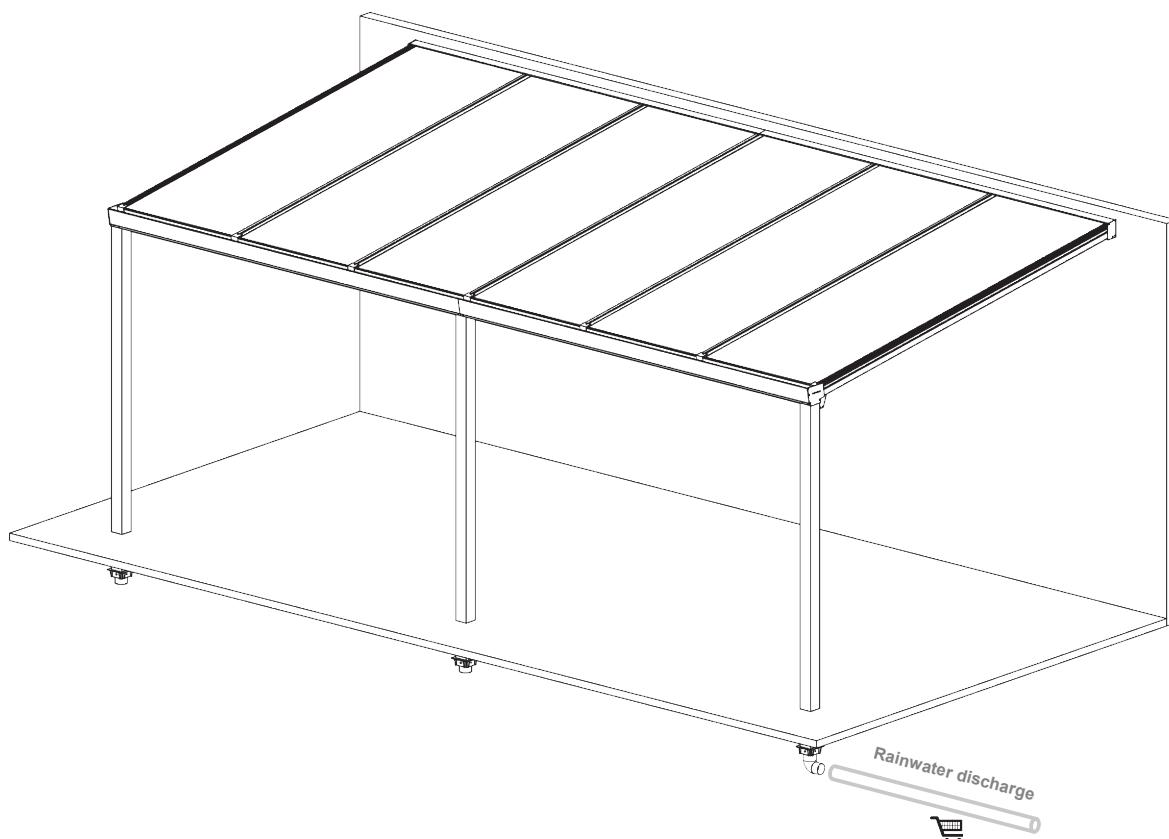
U bracket Pos 18 acts as an anchor, screwed onto side of post

GRAVEL PIT size depends on the absorption capacity of the soil

ALTERNATIVE GROUND FIXING and WATER DRAINAGE

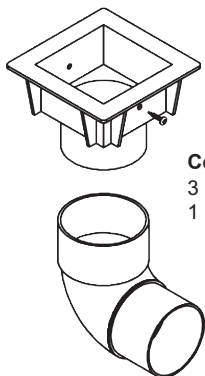
by means of Plastic Ground Anchors, OPTIONALLY AVAILABLE from your Easy Edition Dealer !!!

For using this option you need to order more longer posts !!



Plastic Ground anchors with Rainwater discharge connection

As an Additional Option available from your Easy Edition Dealer !!



Contents per set !!
3 Plastic Ground anchors
1 pc 90° bend for connection to Ø 80 mm drainage pipe

Composite Detail !!

