

# MODULARO<sup>®</sup>

## Installation manual

Montageanleitung • Notice de montage • Istruzioni per il montaggio • Manual de montaje •  
Asennusohje • Installationsmanual

## Pavilion

Pavillon • Pavillon • Padiglione • Pabellón • Paviljonki • Paviljong

Diameter Ø 421/571 cm

Durchmesser • Diamètre • Diametro • Diámetro • Koko • Diameter

Log thickness 44 mm

Bohlenstärke • Épaisseur des murs • Spessore delle pareti • Grosor de pared • Seinän paksuus •  
Väggjocklek



The producer shall have the right to make technical changes to the product • Technische Änderungen vorbehalten • Le producteur réserve le droit d'effectuer des modifications techniques au produit • Il produttore mantiene il diritto di apportare modifiche tecniche al prodotto • Reservado el derecho a modificaciones técnicas • Valmistaja pidättää oikeuden tehdä tuotteeseen teknisiä muutoksia • Tillverkaren har rätt att utföra tekniska förändringar för produkten

## 1 General information



**Dear client,**

We are glad that you have decided in favour of our garden pavilion!

**Please read the assembly manual carefully before proceeding with the pavilion installation!** You will thus avoid problems and will not waste your time.

### **Recommendations:**

- Keep the pavilion package until its complete assembly in a dry place. Package should be protected from weather conditions (moisture, the sun, etc.) and it shouldn't have direct contact with the ground during stocking period. Do not keep the pavilion package in a heated room!
- When selecting the garden pavilion location, make sure that the pavilion will not be subjected to extreme weather conditions (areas of strong snowfall or winds); otherwise you should attach the pavilion (for instance, with anchors) to the subsoil.



### **Warranty**

Your pavilion is made from high quality spruce and delivered in the natural (unprocessed) form (except foundation joists). If, despite our thorough inspection, you should have complaints, please submit the filled out control sheet and purchase invoice to the product seller.

**ATTENTION: Please be sure to keep the documentation accompanying the pavilion package! The control sheet includes the control number of the pavilion. We can only review complaints if you submit the control number of the pavilion to the seller!**

The warranty does not cover:

- Peculiarities of wood as a natural material
- Wooden details already painted (processed with a wood preservative)
- Wooden details containing whole branches that do not endanger the stability of the pavilion
- Colour tone variations caused by wood structure differences that do not influence wood lifetime
- Wooden details containing (caused by drying) small cracks/gaps that do not pass through and do not influence the structure of the pavilion
- Twisted wooden details if they can nevertheless be installed
- Roof and floor boards that may have on their concealed surfaces some non-planed areas, colour differences and waning
- Complaints resulting from an incompetent manner of the installation of the pavilion or the pavilion subsiding due to an incompetently made foundation
- Complaints caused by introducing self-initiative changes to the pavilion, such as the deformation of wooden details and doors/windows due to an incompetent manner of wood processing; the attachment of storm braces too rigidly, doorframes being screwed onto wall logs, etc.

**The complaints covered by the warranty are satisfied to the extent of replacing the deficient/faulty material. All other demands will be excluded!**



## Garden pavilion painting and maintenance

Wood is a natural material, growing and adapting depending on weather conditions. Large and small cracks, colour tone differences and changes, as well as a changing structure of wood are not errors, but a result of wood growing and a peculiarity of wood as a natural material.

Unprocessed wood (except for foundation joists) becomes greyish after having been left untouched for a while, and can be turn blue and become mouldy. To protect the wooden details of your garden pavilion, you must immediately process them with a wood preservative.

We recommend that you cover the floor boards in advance with a colourless wood impregnation agent, especially the bottom sides of the boards, to which you will no longer have access when the pavilion is assembled. Only this will prevent moisture penetration.

We definitely recommend that you also process the doors and windows with a wood impregnation agent, and do that namely both inside and outside! Otherwise the doors and windows can become twisted.

After the pavilion assembly is completed, we recommend for the conclusive finishing a weather protection paint that will protect wood from moisture and UV radiation.

When painting, use high quality tools and paints, follow the paint application manual and manufacturer's safety and usage instructions. Never paint a surface in strong sunlight or rainy weather. Consult a specialist regarding paints suitable for unprocessed softwood and follow the paint manufacturer's instructions.

Having been properly painted, your garden pavilion's lifetime will increase substantially. We recommend that you inspect the pavilion thoroughly once every six months.

## 2 Preparation for assembly

### Tools and preparation of components

To assemble the garden pavilion, you will need the following tools:



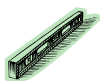
assembly aid



ladder



hammer



water-level



screwdriver



saw



knife



measuring tape



pliers



drill

**ADVICE:** To avoid splinters, we recommend that you wear the corresponding protective gloves during the assembly process.

## Foundation

A good foundation is the most important aspect guaranteeing the duration and safety of your pavilion. Only a completely level and bearing foundation will ensure problem-free installation of the pavilion, its stability and especially the matching of the doors. With a good foundation, your pavilion will stand for many years more.

Prepare the foundation so that its upper edge extends from the ground to a height of at least 5 cm. At the same time make sure that there are sufficient air apertures under the pavilion floor for ventilation.

We recommend the following foundation options:

- Strip or spot foundation
- Foundation from concrete or pavement slabs
- Cast concrete bed

Prepare the foundation so that foundation joists and every nodal point are propped up on every side with intervals not exceeding 50-60 cm.

Consult an expert in this field or have the foundation prepared by specialists.

## Controlling of parts

Prior to assembly, please check the content of the package. With the help of parts list (included to this installation manual) make sure that all the parts listed in the parts list are included to the package.

### ATTENTION:

- You will find included in the pavilion package one spare log (longest wall log).
- You will find included in the pavilion package one spare board (longest floor board).
- The pavilion package also includes 2-3 marked hitting blocks (wall profile approximately 20-30 cm long).

All of the details listed above **ARE NOT** mentioned in the specification list.

## 3 Garden pavilion assembly

### Preparation of components:

Sort the components based on position number to simplify the finding of the right part while installing the pavilion.

**ATTENTION:** Never place the components directly on grass or a muddy surface because it will be very difficult or even impossible to clean them up later!

### Base frame

The base frame of the pavilion must be completely flat and level to ensure that the installation proceeds without problems. Place the impregnated foundation joists on the prepared foundation in accordance with the drawing (see Technical specifications) and screw them together with 6x120 mm screws. Make sure that the base frame has the same measures as on the drawing. (NB! The base frame can differ +/- 5 mm because of the swelling/ waning of the wood during the transportation. It does not affect the installation of the pavilion.)

**ADVICE:** It is recommended to place between the foundation joists and foundation a damp-proof course that will protect the pavilion from moisture and decay.

**ADVICE:** To ensure protection from wind and storm, it is recommended to attach the foundation joists to the foundation (for this, you can use for instance metal angles, anchors, etc.). The corresponding materials are not included in the supplied kit!

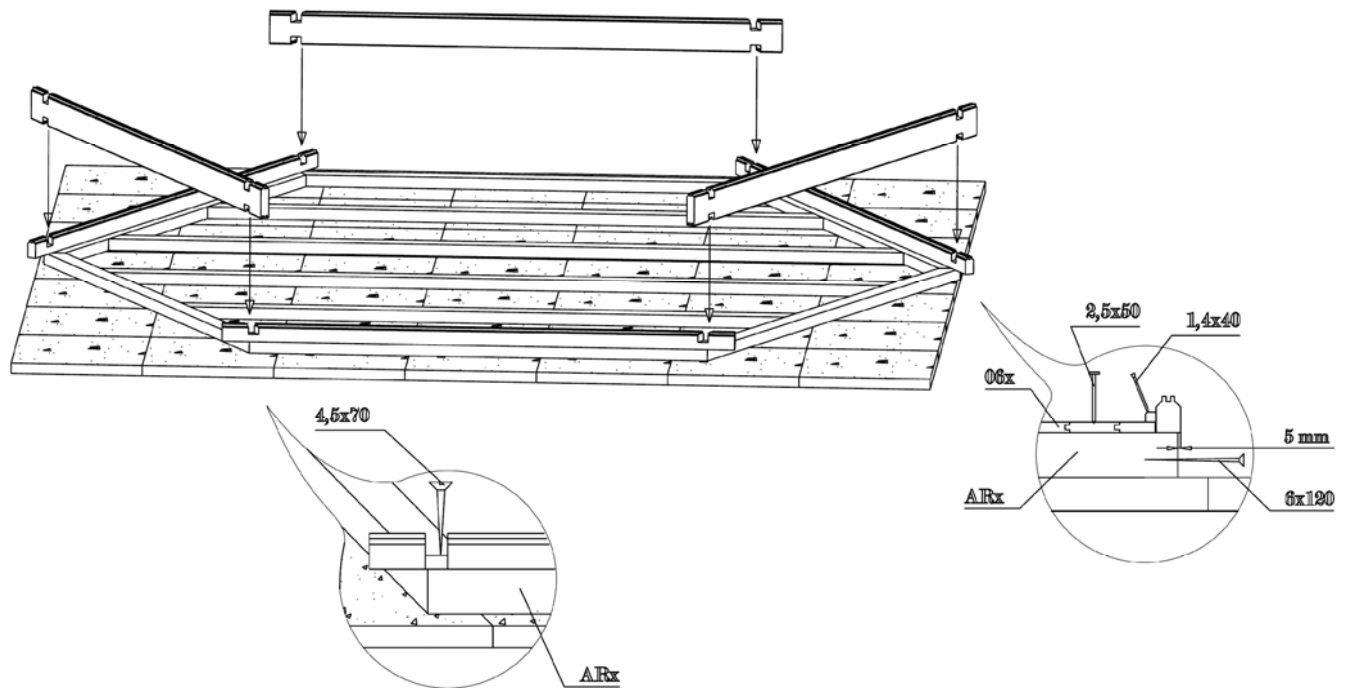
## Walls

When installing the walls, it is important to remember that:

- The logs are always assembled with their tongue upwards!
- If necessary, use the hitting block and hammer! Never directly hit the tongue with the hammer!

Install the walls in accordance with the appended wall plans (see Technical specifications).

The first layer of logs:



Place the first layer of wall logs on the base frame as shown on the picture that is wall logs and half logs in turns. Make sure that the first layer of logs would reach ca 5 mm over the foundation joists. This way you will protect the garden pavilion against moisture, so the rainwater could easily flow into the ground.

Now remove carefully the wall logs and attach half logs with 4,5x70mm screws to the foundation as shown on the picture. Put the wall logs back to their place.

**ATTENTION:** Make sure that the measurements of the foundation would be the same as given in the Technical specifications.

Continue the installation of the walls according to the wall plans by strongly forcing the wall logs into one another. If necessary, use the hitting block and hammer. At the same time, do not forget to begin the installation of the door and windows.

You should definitely begin the door installation after the 5<sup>th</sup>-6<sup>th</sup> layer of logs.

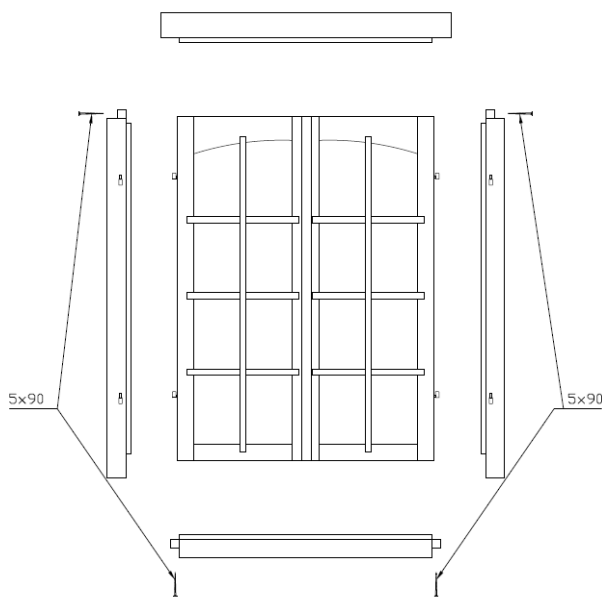
## Door and window

### Door and window frame:

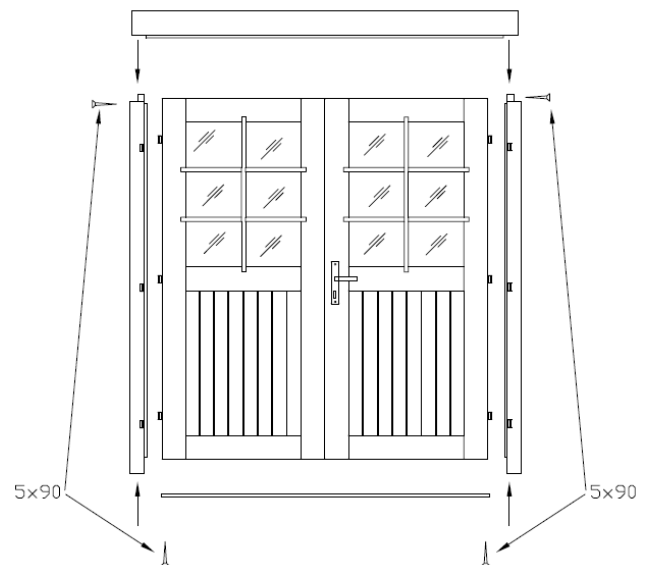
- By double door and double window, the frames are supplied in separate parts due to transportation requirements and you will have to begin by assembling it.
- To do this, place together the 4 parts of the frame and screw them onto one another with 5x90mm screws.
- Make sure that the part of the frame with the deeper notch is installed upwards. The lateral jamb parts have hinges and are mirrored.
- It is recommended to install the leaves later.

### Assembly of the double window and double door:

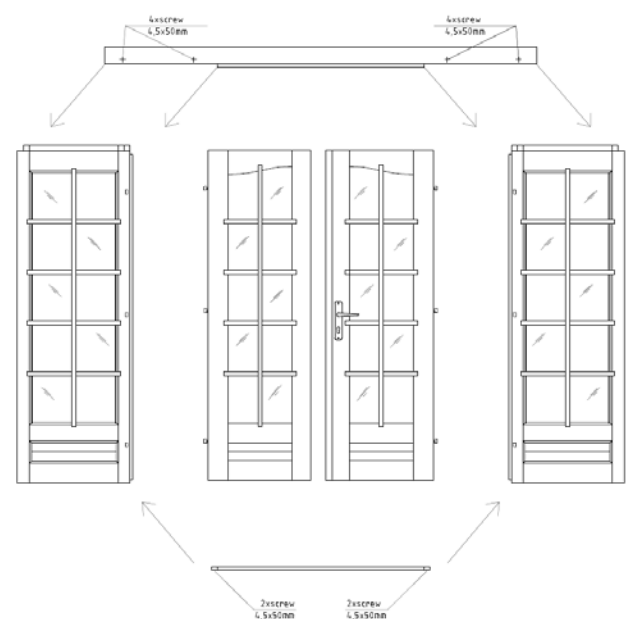
#### Window:



#### Door ver. 1 (PAY44-4242):



#### Door ver. 2 (PAY44-5742):



# Installation manual - English

## Door installation:

When the pavilion is installed, place the door leaves on the hinges. To open and close the door, fit the separately packaged lock and handle. If necessary, regulate the door from the hinges. Clean the door glass and fix the door bars with the screws packaged with the bars.

## Window installation:

Install the window similarly to the door. Additionally you need to install the window stops.

**ADVICE:** Definitely make sure that the windows and doors open in the proper direction. The doors open from the inside **to the outside**. The windows of the pavilions also open **to the outside** (the window handles are on the inside).

**ATTENTION:** It is not necessary to fix the doors and windows to the wall logs! If you wish to do this, it will be sufficient to fix them with a couple of screws in the lower part of the frame because as they dry, the wall logs will begin subsiding.

You can conduct the final adjustments of the doors and windows only some 2-3 weeks after the pavilion installation, when the pavilion will have become adapted to weather conditions and its logs settled.

## Roof

Please notice that after assembling wall logs, all walls must be with equal height. After insuring the equal height of the walls, part pos. 151 must be screwed (5x90 mm screw) to walls as shown on the drawing. In case of pavilion PAY44-5742 you must screw part pos. 151 and part pos. 152 (5x90 mm screw) to walls as shown on the drawing.

At first attach both (triangle) halves of the roof (left and right side), using the 5x90 mm screws. This way, 8 triangle roof components are formed for pavilion PAY44-4242. In case of pavilion PAY44-5742 you will get 6 triangle and 4 trapeze roof components.

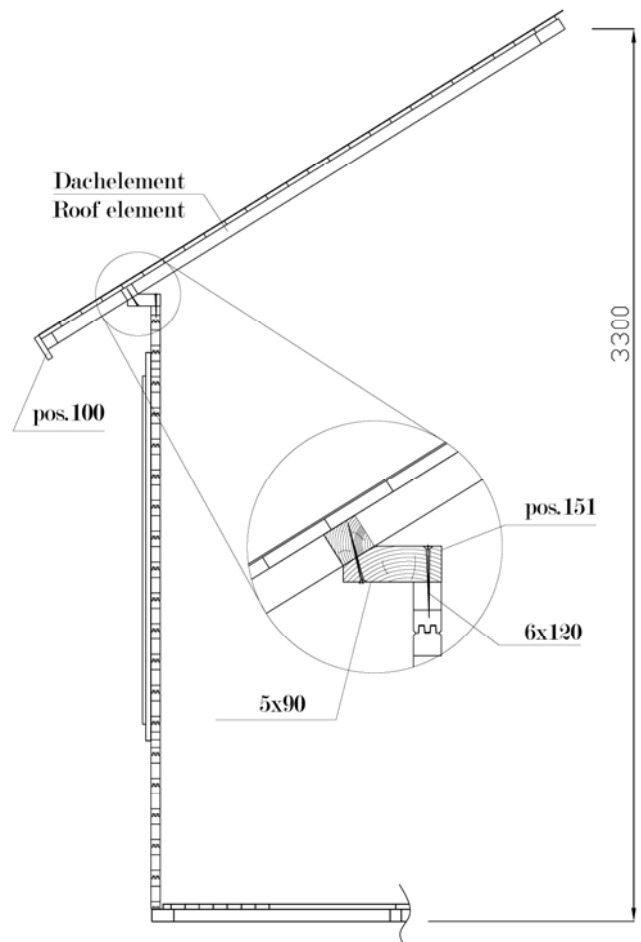
**ATTENTION:** Attach the roof shingles (not included in house kit) to the roof elements before installing the roof to the garden pavilion.

Have ready some boards with the length ca. 3.60 m for installing pavilion to support the roof elements during installation. The installation of roof elements is possible with 2 persons.

Place one roof element onto the rafter and support the top of the element at the centre of the garden pavilion with the help of the board. In case of pavilion PAY44-5742 start with the middle triangle roof component.

Attach the roof element to the rafter with 5x90 screws as it is shown on the illustration beside.

The next element is assembled exactly the same way. When installing the second element, see that the edge and the top of the roof would remain on the same height as those of the first element.



## Installation manual - English

---

When the second element has been attached to the rafter, screw both elements together with 5x90 mm screws. It is recommended to drill the holes first so that the connection of the elements would be stronger.

The rest of the roof elements are assembled the same way.

Usually the installation of the last roof component is the most complicated. If there will remain a gap between the elements unscrew the elements from the walls and push them upwards. On the right place fix the elements again with at least 4 screws of 5x90 mm.

On the contrary, if there will remain too little space for the last element, all the elements should be pushed downwards.

In pavilion PAY44-5742 install the part pos. 160. Fix it with 6x120 mm screws (10 pieces).

Finally, the metal roof cap needs to be installed (NB! Not included in some house kits!).

### Assembly of eave edgings

Attach the eave edgings pos. 100 (in pavilion PAY44-5742 pos. 100 and pos. 101) to the roof elements with screws. Use 4.5x50 mm screws. Ideally the top side of the eave edging should be on the same line with the top side of the roof board.

## Floor

Start assembling the floor from centre with longest, 90° floor boards (pos. 061). Leave gaps of 0,5-0,7 mm between the boards. That is needed to allow floor boards to expand according to weather conditions.

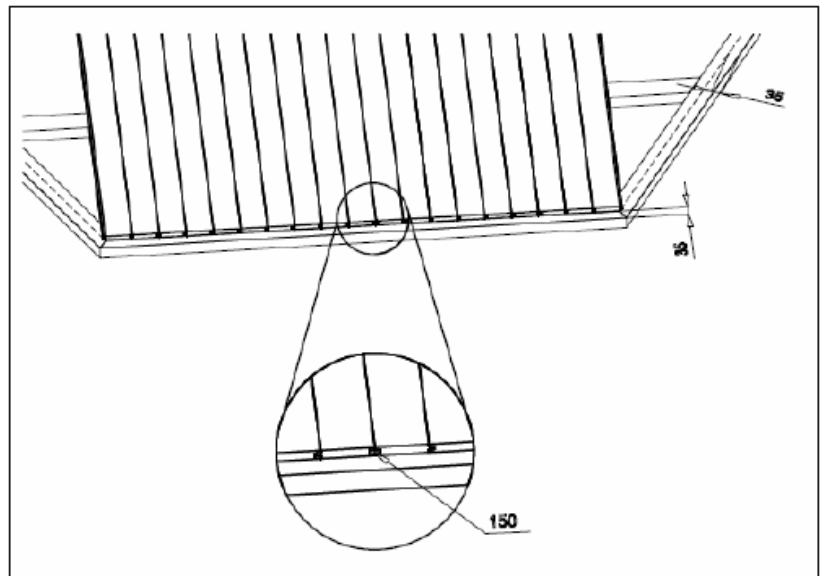
Place the floor boards in the centre of the floor so that groove meets groove. Groove needs to be filled with fitting slats (pos. 150).

After middle section of floor being assembled, move on to the sides of the floor with 45° floor boards. Don't forget to leave small gaps of 0,5-0,7 mm between boards. The last and shortest floor board must be cut to the right size.

Floor boards should be fixed to every foundation bearer with 2,5x50 mm nails.

### Assembly of floor beadings

The floor beadings need to be cut to the right size. Fix the floor beadings with 1,4x40 mm nails.



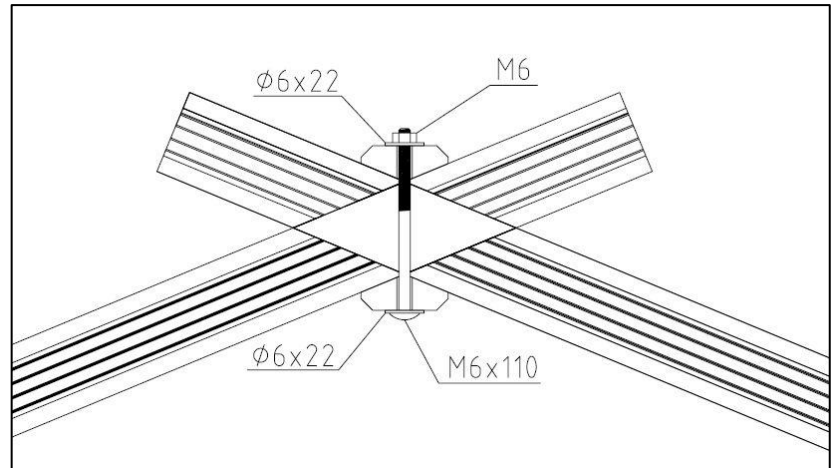


### Storm braces

The storm braces (pos. 140) must be attached in the corners of the pavilions on the both sides of the wall. Fix the storm braces with 6x110 bolts, shims and nuts.

The top of the storm brace (with the round hole) has to be on the same level with the top log of the wall. It is important to drill the  $\varnothing 6$  mm holes through in advance. Place the storm braces on the both sides of the wall.

Drill holes through also from the middle of the oval gaps of the storm braces. Fix the slats with bolts.



**ADVICE:** Do not turn the bolts tightly so wood can further swell or diminish.

With the pavilion having settled, you should adjust the attachments so the wall logs can settle.

### General advice:

**Problem:** *Gaps appear between the wall logs*

Cause: Additional details are attached to the pavilion that do not allow wood to swell/diminish.

Solutions: If the door/window is attached to the wall logs with screws/nails, remove these screws/nails;  
If the storm brace is screwed on too tightly, loosen its attachment;  
If (rain water) pipes are installed on the wall, loosen their attachments;

**Problem:** *The doors and windows become stuck.*

Cause: The pavilion/foundation has settled.

Solution: Check whether the pavilion is level. Level the foundation joists and walls.

Cause: The doors and windows have swelled due to moisture.

Solution: Adjust the door and window hinges; if necessary, plane the door or window narrower.



**We wish you total success with the pavilion installation and much joy with this pavilion for many years to come!**

## 1 Generelles



### Sehr geehrter Kunde,

es freut uns, dass Sie sich für unseren Pavillon entschieden haben!

**Es ist wichtig, diese Aufbauanleitung vollständig durchzulesen, bevor Sie mit dem Aufbau Ihres Pavillons beginnen!** So vermeiden Sie Probleme und unnötigen Zeitverlust.

#### Tipps:

- Lagern Sie den Bausatz bis zur endgültigen Montage trocken und nicht direkt auf dem Erdboden, geschützt vor Witterungseinflüssen (Nässe, Sonneneinwirkung, etc.). Ware bitte nicht in einem beheizten Raum aufbewahren!
- Achten Sie bei der Standortwahl darauf, dass der Pavillon nicht extremen Witterungsbedingungen (Gebiete mit starkem Wind) ausgesetzt ist, gegebenenfalls sollten Sie den Pavillon zusätzlich mit dem Fundament verankern.



### Gewährleistung

Ihr Pavillon besteht aus hochwertigem nordischem Fichtenholz und wird unbehandelt geliefert. Wenn es trotz unserer sorgfältigen Werkskontrolle zu Reklamationen kommen sollte, legen Sie Ihrem Fachhändler den ausgefüllten Kontrollschein mit Ihrer Einkaufsrechnung vor!

**WICHTIG: Bitte unbedingt die Dokumentation aufbewahren! Auf dem Kontrollschein finden Sie die Kontrollnummer des Pavillons. Es ist möglich die Reklamation nur dann als Garantiefall zu behandeln, wenn Sie die Kontrollnummer Ihrem Fachhändler weitergeben!**

Abweichungen die keinen Reklamationsgrund darstellen:

- Holz ist ein Naturprodukt, daher gehören die naturgegebenen Beanstandungen nicht unter Garantie.
- Materialreklamationen werden nicht akzeptiert, wenn bereits ein Anstrich erfolgte!
- Äste die mit dem Holz fest verwachsen sind.
- Holzverfärbungen, ohne das dadurch die Lebensdauer beeinflusst wird.
- Risse/Trockenrisse die nicht durchgehend sind und nicht die Konstruktion beeinflussen.
- Verdrehungen des Holzes vorausgesetzt es lässt sich noch verarbeiten.
- An den nicht sichtbaren Seiten von Dach- und Fussbodenbrettern können die Bretter ungehobelt sein, es können Farbunterschiede und Baumkanten vorkommen.
- Spätere Reklamation durch unsachgemässe Montage, Absacken des Hauses durch unsachgemässe Fundamente und Gründungen sind ausgeschlossen.
- Eigene Veränderungen am Haus wie z.B. Verzug von Bohlen und Fenstern/Türen, fehlender Holzanstrich oder Aufbau, die zu starre Befestigung der Sturmleiste, Verschrauben der Türrahmen mit den Blockbohlen usw., sind ausgeschlossen.

**Ansprüche auf Gewährleistung beschränken sich auf den Austausch von fehlerhaftem Material. Alle weiteren Ansprüche sind ausgeschlossen!**



## Anstrich und Pflege

Holz ist ein Naturprodukt und arbeitet unterschiedlich. Merkmale wie grobe und feine Maserungen, Farbschattierungen und Veränderungen sowie Verwachsungen haben Ihren Ursprung im Wuchs des Baumes. Sie sind bei Hölzern, die in der freien Natur wachsen, normal und deshalb nicht als Fehler, sondern vielmehr als Eigentümlichkeit des Naturwerkstoffes Holz anzusehen.

Das unbehandelte Holz (ausser Lagerhölzer) wird nach einiger Zeit vergrauen, kann verbläuen und verschimmeln. Um ihr Pavillon zu schützen, sollten Sie es mit geeigneten Holzschutzmitteln behandeln.

Um Ihr Pavillon optimal zu schützen, empfehlen wir die Bodenbretter vorgängig mit einer farblosen Grundierung zu behandeln. Besonders die Unterseite, welche nach der Montage nicht mehr zu erreichen ist. Nur auf diese Weise wird das Eindringen der Feuchtigkeit verhindert.

Wir empfehlen unbedingt auch Türen und Fenster mit einer Grundierung zu behandeln. Es ist sehr wichtig sowohl die Innen- als auch die Aussenseiten der Türen und Fenster auf einmal zu streichen! Andernfalls können sie sich verziehen.

Nach dem Aufbau empfehlen wir Ihnen die Aussenhaut (ohne Dach) zu Grundieren, sobald diese trocken ist sollten Sie den Pavillon mit einer Holzlasur streichen, die das Holz vor Feuchtigkeit und UV-Strahlung schützt.

Beim Anstrich benutzen Sie hochwertiges Werkzeug und Farbe, beachten Sie die Sicherheits- und Verarbeitungshinweise des Farbenherstellers. Streichen Sie nie in praller Sonne oder beim regnerischen Wetter. Lassen Sie sich ausführlich bei Ihrem Fachhändler über den Holzschutz für unbehandelte Nadelhölzer beraten.

Durch einen regelmässigen Anstrich beeinflussen Sie im Wesentlichen die Lebensdauer Ihres Pavillons. Wir empfehlen Ihnen auch eine halbjährliche Inspektion des Pavillons.

## 2 Vorbereitung zur Aufbau

### Werkzeuge und Vorbereitung der Details

Beim Aufbau brauchen Sie Folgendes:



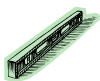
Montagehelfer



Stehleiter



Hammer



Wasserwaage



Schraubenzieher



Säge



Messer



Bandmass



Zange



Bohrer

**HINWEIS:** Um Verletzungen durch eventuelle Holzsplitter zu vermeiden, tragen Sie bitte während der Montage entsprechende Schutzhandschuhe.

## Fundament

Das Wichtigste für die Sicherheit und Haltbarkeit Ihres Pavillons ist ein gutes Fundament. Nur ein absolut waagrechtes und tragfähiges Fundament gewährleistet eine einwandfreie Montage der Blockbohlen, Stabilität und vor allem Passgenauigkeit der Türen. Mit einem guten Fundament hält Ihr Pavillon viele Jahre länger.

Fertigen Sie das Fundament so, dass die Oberkante mindestens 5 cm über die Bodenfläche hinausragt, damit Ihr Pavillon besser vor Feuchtigkeit geschützt ist.

Wir machen folgende Fundamentvorschläge:

- Streifen- oder Punktfundament
- Fundament aus Beton- oder Rasengitterplatten
- geschüttetes Betonfundament

Bereiten Sie das Fundament so vor, dass die Lagerhölzer überall im Abstand von max. 50-60 cm gestützt sind. Lassen Sie sich ggf. von einem Fachmann beraten bzw. lassen Sie das Fundament von einem Fachmann erstellen.

## Kontrolle der Stückliste

Bevor Sie mit dem Aufbau beginnen, kontrollieren Sie bitte die Vollständigkeit des Bausatzes anhand der Stückliste, die ein Teil dieser Montageanleitung ist.

### WICHTIG:

- Im Paket finden Sie eine Zusatzbohle (längste Wandbohle)
- Im Paket finden Sie auch ein Zusatzbrett (längstes Fussbodenbrett)
- Im Paket sind auch 2-3 gekennzeichnete Schlaghölzer zur Montagehilfe (ca. 20-30 cm langes Bohlenprofil)  
Alle oben genannten Teile sind **NICHT** in der Stückliste aufgelistet.
- Auf den Abbildungen sind die Teile mit dreistelligen Positionen bezeichnet. Die genauen Positionen dieser Teile, deren 3. Stelle auf der Abbildung mit „x“ bezeichnet sind, finden Sie in der Stückliste.

## 3 Aufbau

### Vorbereitung der Details:

Sortieren Sie das Material und legen es an den Seiten des Pavillons entsprechend der Reihenfolge des Aufbaus bereit.

**WICHTIG:** Legen Sie die Hölzer nie direkt auf die Rasenfläche oder in den Schmutz, da sich die Hölzer später nur schwer oder gar nicht säubern lassen!

### Lagerhölzer

Die Lagerhölzer müssen absolut in der Waage und plan liegen, um eine einwandfreie Montage zu gewährleisten. Legen Sie die Lagerhölzer entsprechend der Fundamentzeichnung (Siehe Technische Daten) und verschrauben Sie danach miteinander.

**HINWEIS:** Es ist empfehlenswert, zwischen die Lagerhölzer und das Fundament eine Feuchtigkeitssperre zu legen, die vor Nässe und Fäulnis schützt.

**HINWEIS:** Es ist auch zu empfehlen, die Lagerhölzer mit dem Fundament zu verankern. (Verwenden Sie dafür z.B. Stahlwinkel, Betonanker o. Ä.) Dieses Material gehört nicht zum Lieferumfang!

# Aufbauanleitung – Deutsch

## Wände

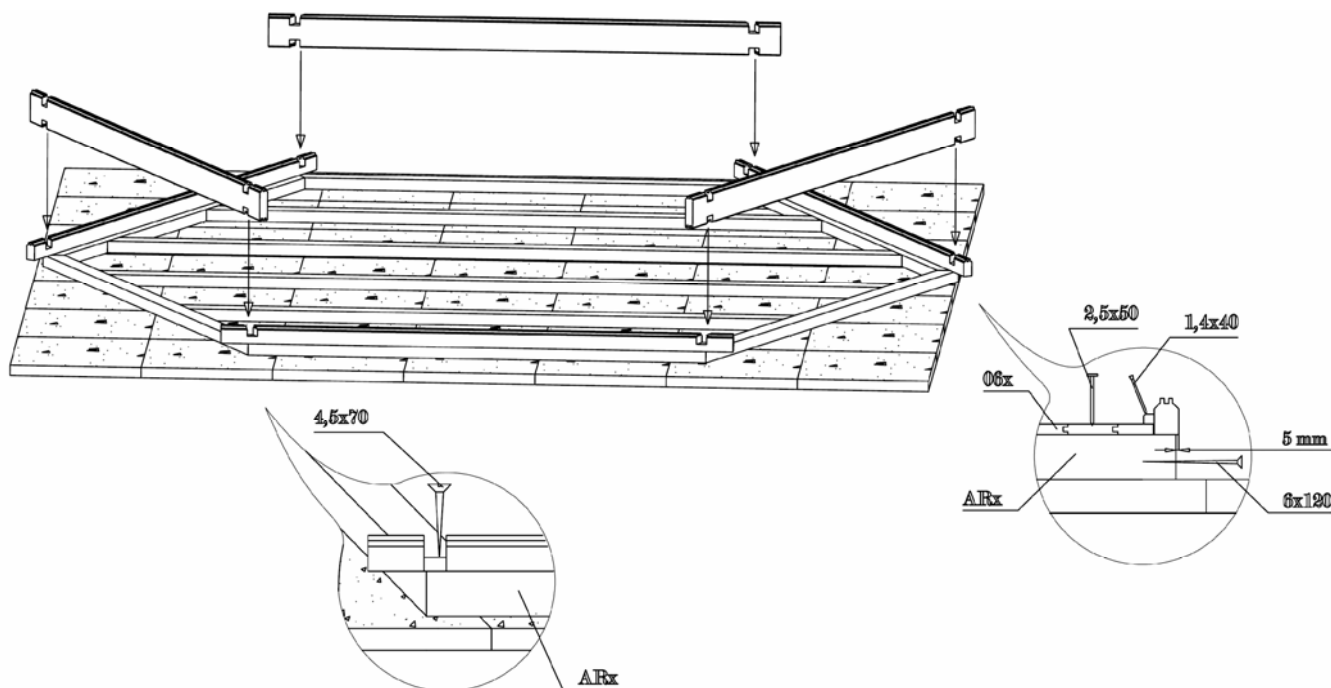
Beim Aufbau der Wände ist es wichtig zu wissen:

- Die Wandbohlen werden immer mit der Feder nach oben zeigend zusammengesteckt!
- Beim Bedarf benutzen Sie das Schlagholz und den Hammer! Nie mit dem Hammer direkt auf die Feder schlagen!

Die Wandpläne (Siehe Technische Daten) zeigen Ihnen den Aufbau der Wände.

**WICHTIG:** Der Fussboden soll verlegt sein, bevor Sie mit dem Aufbau der Wände anfangen!

### Montage des ersten Bohlenkranzes:



Als erstes verlegen Sie die halben Bohlen (Pos. 001) auf die Hälfte der Seiten (Siehe Technische Daten) und danach legen Sie die Wandbohlen (Pos. 004) dazwischen. Jetzt überprüfen Sie, ob der erste Bohlenkranz zum Fundament passt.

Hierbei beachten Sie, dass der erste Bohlenkranz etwas über den Lagerhölzern steht: die Bohlen sollten ca. 5 mm über den Lagerhölzern überstehen. Dies ergibt eine Tropfkante und schützt vor Nässe.

Dann nehmen Sie die Bohlen (Pos. 004) wieder weg und verschrauben Sie die halben Bohlen (Pos. 001) mit 4,5x70 mm Schrauben zum Fundament.

**WICHTIG:** Überprüfen Sie, dass die Masse des Fundaments denen entsprechen, die auf dem Fundamentplan angegeben sind.

Fahren Sie fort indem Sie die nächsten Bohlen fest ineinander stecken. Beim Bedarf verwenden Sie das Schlagholz und den Hammer. Vergessen Sie aber auch nicht, mit der Montage der Fenster und Tür zu beginnen.

Den Einbau der Tür sollten Sie unbedingt schon nach der 5.-6. Bohlenschicht vornehmen.

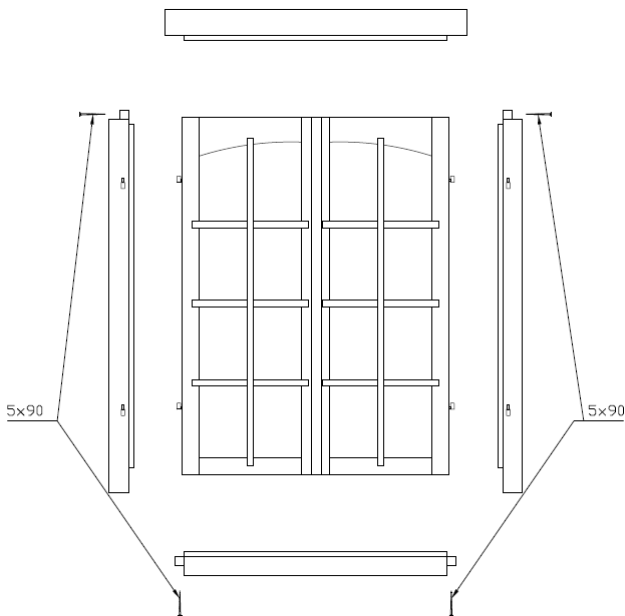
## Tür und Fenster

### Tür- und Fensterrahmen:

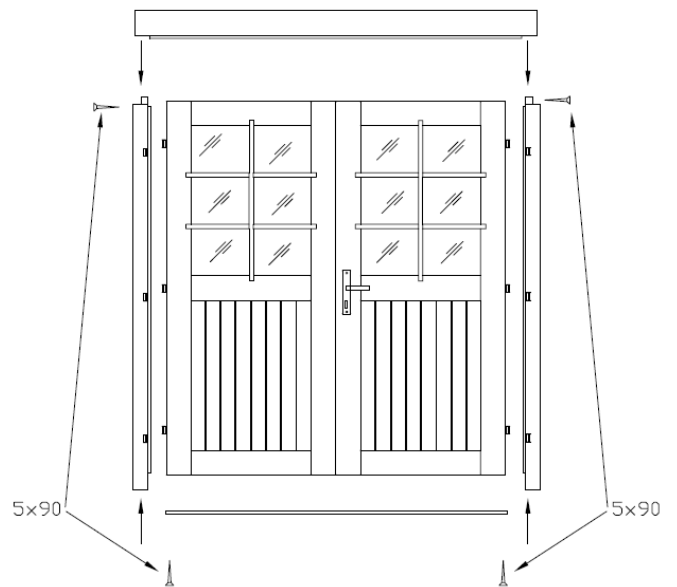
- Bei der Doppeltür und bei dem Doppelfenster werden die Rahmenteile aus Transportgründen lose geliefert und müssen zuerst zusammenmontiert werden
- Hierzu fügen Sie die vier Rahmenhölzer der Doppeltür bzw. Fenster zusammen und verschrauben Sie diese
- Beachten Sie, dass das Rahmenteil mit den tieferen Rahmenausfräsungen an die obere Seite der Tür bzw. Fenster kommt. Die seitlichen Rahmenteile sind mit Scharnieren und spiegelbildlich.
- Es ist empfehlenswert, die Türen- bzw. Fensterblätter erst später einzuhängen

Vor dem Einbau muss Doppelfenster- und Tür wie auf den Zeichnungen zu sehen montiert werden:

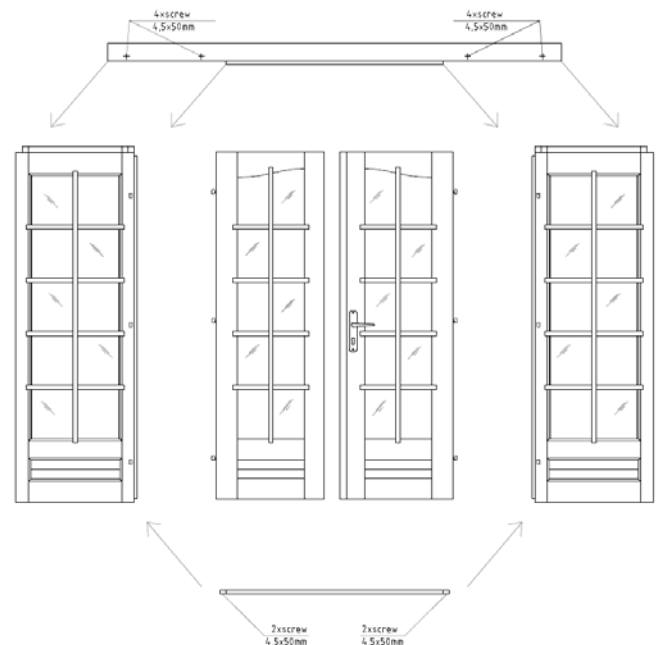
### Fenster:



### Tür Ver. 1 (PAY44-4242):



### Tür Ver. 2 (PAY44-5742):



# Aufbauanleitung – Deutsch

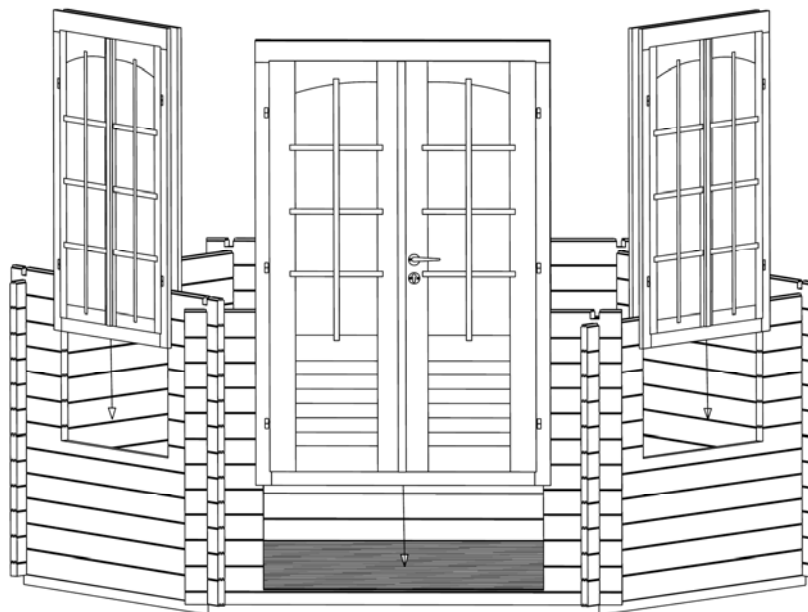
---

## Montage der Tür:

Der Rahmen wird von oben in die entstandene Öffnung geschoben und fest auf die unterste Bohle gedrückt. Hängen Sie nun die Türblätter ein. Montieren Sie nun die separat verpackten Türgriffe, so dass Sie die Tür öffnen können.

## Montage der Fenster:

Fahren Sie fort, die Wände hochzuziehen, bis Sie zur Fensterhöhe gelangen. Aus den Wandplänen (siehe Technische Daten) wird ersichtlich, wie viele Bohlen unter den Fenstern sind. Beim Einsetzen der Fenster verfahren Sie genauso wie bei der Tür.



Schieben Sie den Fensterrahmen mit dem Fenster über die Bohlen und drücken Sie diesen ganz fest auf die untere Bohle. Achten Sie darauf, dass das Fenster nicht auf dem Kopf stehend eingebaut wird.

**HINWEIS:** Bei den Fenstern und Tür bitte unbedingt auf die Einbaurichtung achten. Die Türen gehen vom Innenraum des Pavillons **nach aussen** auf. Die Fenster gehen auch **nach aussen** auf (Fenstergriffe sind innerhalb des Pavillons).

**WICHTIG:** Es ist nicht zu empfehlen, die Tür und Fenster an die Wandbohlen zu befestigen. Wenn Sie es wünschen, dann befestigen Sie diese mit ein oder zwei Schrauben nur im unteren Bereich der Rahmen, damit die Wandbohlen sich beim Trocknen setzen können.

Das endgültige Einstellen der Tür kann erst in ca. 2 bis 3 Wochen erfolgen, nachdem das Holz sich dem Klima angepasst hat und die Wandbohlen sich gesetzt haben.

## **Dach**

Nachdem Sie alle Wandbohlen montiert haben, müssen alle Wände gleich hoch sein. Dann verschrauben Sie die Dachstützleiste (Pos. 151) auf die Wand wie auf der Zeichnung (s. nächste Seite) gezeigt. Bei dem Pavillon PAY44-5742 die Positionen 151 und 152 mit 5x90 mm Schrauben auf die Wände verschrauben.

Als erster Schritt bei der Dachmontage werden die dreieckige Dachhälften (linke Seite und rechte Seite) mit 5x90 mm Schrauben zusammengeschraubt. So entstehen 8 dreieckige Dachelemente für Pavillon PAY44-4242. Für Pavillon PAY44-5742 entstehen 6 dreieckige und 4 Trapez-Dachelemente.

**WICHTIG!** Schindeln Sie die Dachelemente unbedingt vor dem Aufbringen auf das Dach.

Besorgen Sie sich ein paar Bretter mit der Länge von ca. 3,60 m. Heben Sie ein Dachelement auf die Dachstützleiste und stützen Sie die Spitze in der Mitte des Pavillons mit Hilfe des Brettes ab. Bei dem Pavillon PAY44-5742 fangen Sie mit dem mittleren dreieckigen Dachelement an.

Dann verschrauben Sie das Dachelement mit der Dachstützleiste fest, wie auf der Zeichnung gezeigt.

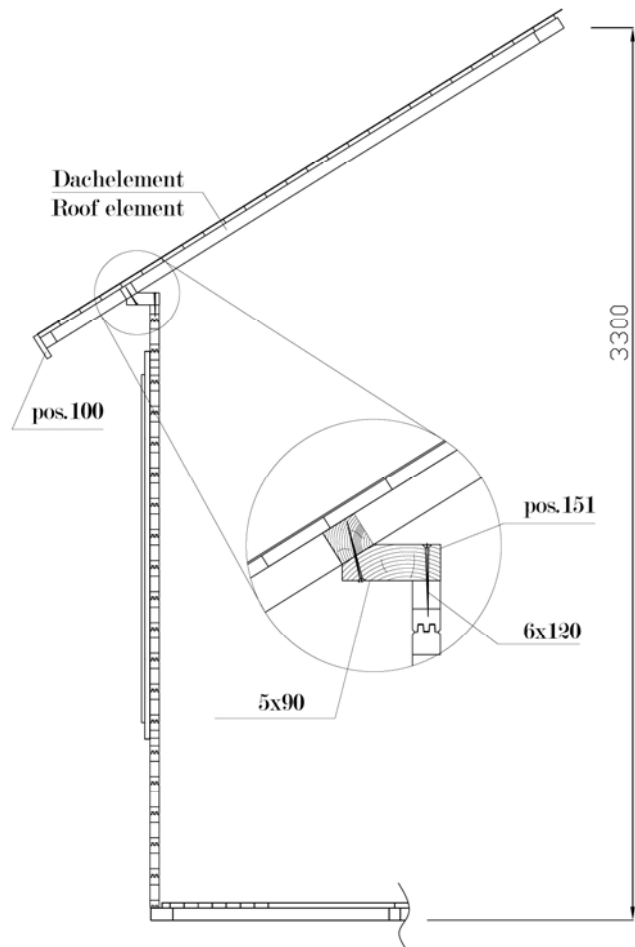
## Aufbauanleitung – Deutsch

Das zweite Element wird genauso montiert. Bei der Montage des zweiten Elementes achten Sie bitte darauf, dass der Dachrand und die Spitze genau die gleiche Höhe haben müssen wie bei dem ersten Element.

Wenn das zweite Element an die Dach-Stützleiste festgeschraubt ist, verschrauben Sie die beiden Elemente miteinander.

Genauso werden auch die anderen Dachelemente montiert bis das Dach komplett ist. Sobald alle Dachelemente montiert sind, werden die Gräten geschnitten und aufgebracht.

Zum Schluss wird die Metallhaube montiert (Falls im Lieferumfang).



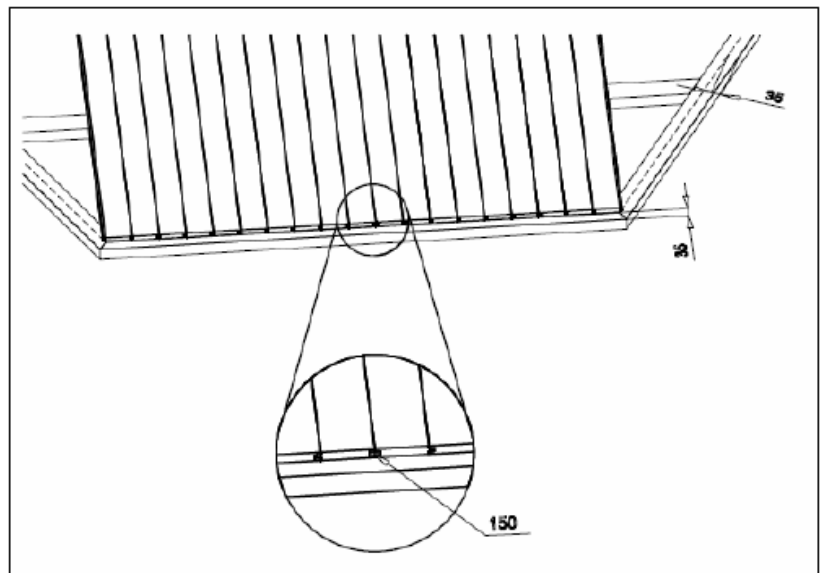
### Anbringung der Dachblenden

Zum Schluss schrauben Sie die Dachblenden Pos. 100 (Pavillon PAY44-5742 Pos. 100 und Pos. 101) an die Dachelemente. Dafür benutzen Sie die Schrauben 4,5x50 mm, 5 St. pro Blende.

## Fussboden

Fangen Sie mit den Fussbodenbrettern Pos. 061 an. Das erste Brett legen Sie in die Mitte des Lagerholzes (siehe Zeichnung). Bitte beachten Sie, dass die Nut des ersten Brettes Richtung Mitte zeigt. Dann nehmen Sie die 3 losen Federn (Pos. 150) und stecken sie in die Nut.

Die Fussbodenbretter müssen 35 mm vom Lagerholz-Aussenrand entfernt bleiben. Diesen Raum brauchen Sie für die Wandbohlen. Am besten markieren Sie die Grenze der Fussbodenlinie mit einem Stift.



Jetzt nehmen Sie noch ein Fussbodenbrett Pos. 061 und stecken das Brett mit der Nutseite in die Federn, die mit dem ersten Fussbodenbrett verbunden sind. Jetzt haben Sie 2 Fussbodenbretter, auf der Nutseite mit losen Federn verbunden.



## Aufbauanleitung – Deutsch

Fahren Sie jetzt mit dem Verlegen der Bretter fort, bis Sie die Ecken erreichen. Verteilen Sie die Bretter so, dass die Feder der Bretter über Grenzlinie bleibt.

Sie können 0,5-0,7 mm Abstand zwischen den Brettern lassen, damit die Bretter sich bei Feuchtigkeit ausdehnen können.

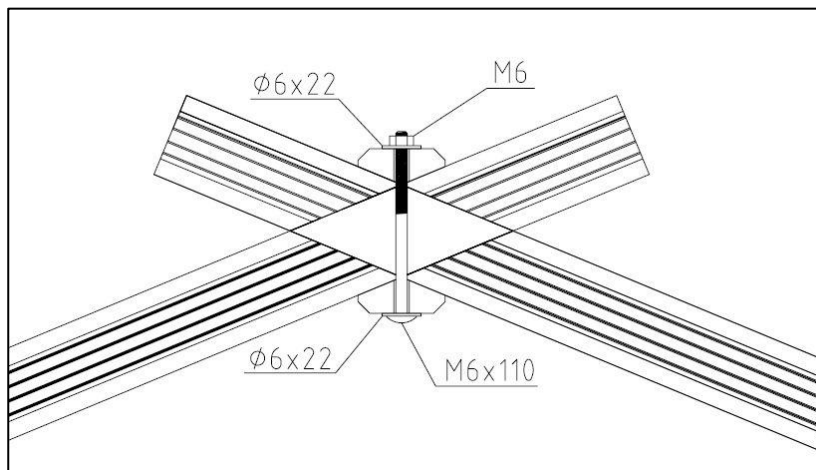
Jetzt montieren Sie die restlichen Fussbodenbretter Richtung Seite.

Jetzt können Sie die Fussbodenbretter mit 2,5x50 mm Nägeln an Lagerhölzer festnageln.

### Sturmleisten

Die Sturmleisten müssen in die Ecken des Pavillons montiert werden. Mit den 6x110 mm Bolzen befestigen.

Die Spitze der Leiste (mit der runden Bohrung) muss auf die gleiche Linie mit den Wänden sein. Hierfür ist es erforderlich, die Bohlen vorher durchzubohren. Die Sturmleisten auf beiden Seiten der Wände montieren.



**HINWEIS:** Die Schlossschrauben dürfen nur leicht Handfest angezogen werden, damit das Holz weiterhin arbeiten kann.

Wenn der Pavillon sich gesetzt hat, müssen die Befestigungen reguliert werden, damit die Wandbohlen sich nach unten setzen könnten.

### Allgemeine Tipps:

**Problem:** *Es entstehen Spalten zwischen den Bohlen.*

Ursache: Es sind zusätzliche Details an den Wänden angebracht, die das Arbeiten des Holzes verhindern.

Lösung: Wenn Fenster/Tür mit Schrauben/Nägeln an die Wandbohlen befestigt sind, sie entfernen;  
Wenn die Sturmleisten zu fest an die Bohlen geschraubt sind, sie flexibel montieren;  
Wenn eine (Wasser)Leitung an der Wand montiert ist, die Befestigungen flexibler montieren;

**Problem:** *Fenster und Türen klemmen*

Ursache: Das Haus/Fundament hat sich gesenkt

Lösung: Überprüfen, ob das Haus in Waage steht. Lagerhölzer und Wände wieder in einen waagerechten Zustand bringen.

Ursache: Fenster und Türen sind wegen der Feuchtigkeit gequollen

Lösung: Die Tür-/Fensterscharniere regulieren; beim Bedarf die Tür/Fenster schmaler hobeln



**Wir wünschen Ihnen nun viel Spass und Erfolg beim Aufbau und jahrelange Freude mit Ihrem Pavillon!**

## 1 Généralités



**Cher client,**

Nous sommes heureux que votre choix se soit porté sur notre pavillon!

**Il est important de lire entièrement cette notice de montage avant de commencer la construction de votre pavillon!** Vous vous éviterez ainsi des problèmes et des pertes de temps inutiles.

### Conseils:

- Avant son montage définitif, entreposez le kit de construction au sec et pas directement sur la terre, en le protégeant contre les intempéries (humidité, rayonnement du soleil, etc.). Ne pas conserver la marchandise dans un local chauffé!
- Au moment de choisir l'endroit de montage, veillez à ce que le pavillon ne soit pas exposé à des conditions atmosphériques extrêmes (zones exposées à des vents forts). Le cas échéant, il serait bon d'ancrer le pavillon dans des fondations.



### Garantie

Votre pavillon est réalisé en bois d'épicéa nordique de haute qualité et il vous est livré non traité. Si il devait donner lieu à des réclamations, malgré les soins apportés à notre contrôle en usine, nous vous demandons de remettre à votre revendeur spécialisé le Bulletin de contrôle rempli et votre facture d'achat!

**IMPORTANT: Veuillez impérativement conserver la documentation! Vous trouverez sur le Bulletin de contrôle le numéro du pavillon. La réclamation ne peut être traitée dans le cadre de la garantie que si vous communiquez ce numéro à votre revendeur spécialisé!**

Ecarts qui ne constituent pas un motif de réclamation:

- Le bois est un produit naturel, ce qui fait que les réclamations reposant sur des phénomènes naturels ne tombent pas sous le coup de la garantie.
- Les réclamations concernant les matériaux ne sont pas acceptées si une peinture a déjà été appliquée!
- Nœuds qui sont inhérents au bois.
- Décolorations du bois qui n'exercent pas d'influences sur la durée de vie.
- Fissures/fentes de retrait qui ne sont pas traversantes et qui n'exercent pas d'influences sur la construction.
- Déformations du bois, sous réserve qu'il puisse encore être mis en œuvre.
- Sur les faces non visibles des planches du toit et du plancher, il se peut que les planches ne soient pas rabotées, on peut observer des différences de couleur et des flaches.
- Une réclamation tardive résultant d'un montage incorrectement réalisé, d'un affaissement du pavillon par suite de fondations et de soubassements incorrectement réalisés, est exclue.
- Une réclamation suite à des modifications apportées de son propre chef à le pavillon, comme par exemple une déformation des madriers et des fenêtres/portes par suite d'une peinture du bois ou d'une construction insuffisantes, la fixation trop rigide du contreventement, le vissage des dormants sur les madriers, etc., est exclue.

**Les recours en garantie se limitent au remplacement du matériel défectueux. Tous les autres recours sont exclus!**



## Peinture et entretien

Le bois est un produit naturel qui travaille de façon variable. Des caractéristiques telles que les madrures grossières et fines, les nuances de couleurs et les modifications, de même que les imbrications, ont leur origine dans la croissance du bois. Dans le cas de bois qui poussent en pleine nature, ces caractéristiques sont normales et ne doivent par conséquent pas être considérées comme des défauts mais, au contraire, comme une particularité de ce matériau naturel qu'est le bois.

Au bout de quelque temps, le bois non traité (à l'exception des poutres de fondation) prendra une teinte grise, il pourra bleuir et moisir. Pour protéger votre pavillon, il convient que vous le traitiez avec des produits de protection du bois appropriés.

Pour protéger votre pavillon de façon optimale, nous vous conseillons de traiter préalablement les planches du plancher à l'aide d'un apprêt incolore. En particulier la face inférieure à laquelle vous ne pourrez plus avoir accès après le montage. Ce n'est que de cette façon que l'on empêche l'humidité de pénétrer.

Nous conseillons de traiter impérativement les portes et les fenêtres également à l'aide d'un apprêt. Il est très important de peindre en une seule fois aussi bien les faces intérieures que les faces extérieures des portes et des fenêtres! Dans le cas contraire, elles pourront se déformer.

Une fois le montage effectué, nous vous conseillons de revêtir l'extérieur (sans le toit) d'un apprêt. Dès que cet apprêt sera sec, vous devrez revêtir votre pavillon d'un glacis pour bois qui protégera le bois contre l'humidité et le rayonnement ultraviolet.

Pour la peinture, n'utilisez qu'un outillage et une peinture de haute qualité, et respectez les consignes de sécurité et de mise en œuvre du fabricant de peintures. Ne peignez jamais en plein soleil ou lorsque le temps est à la pluie. Faites-vous conseiller de façon détaillée par votre revendeur spécialisé quant à la protection à utiliser pour les conifères non traités.

En refaisant régulièrement la peinture, vous augmentez sensiblement la durée de vie de votre pavillon. Nous vous conseillons également une inspection semestrielle de votre pavillon.

## 2 Préparation au montage

### Outils et préparation des détails

Pour le montage, vous avez besoin du matériel suivant:



une personne pour vous aider au montage



échelle double



marteau



niveau à bulle d'air



tournevis



scie



couteau



mètre-ruban



pince



foret

**REMARQUE:** Pour éviter les blessures provoquées par d'éventuels éclats de bois, nous vous demandons de porter des gants de protection correspondants lors du montage.

## Fondations

Le plus important, pour la sécurité et la stabilité de votre pavillon, ce sont de bonnes fondations. Seules des fondations parfaitement horizontales et solides garantissent un montage parfait des madriers, la stabilité et, en particulier, la précision d'ajustement des portes. Des fondations de qualité prolongent la durée de vie de votre pavillon de beaucoup d'années.

Réalisez les fondations de façon à ce que le bord supérieur dépasse d'au moins 5 cm de la surface du sol, afin que votre pavillon soit mieux protégé contre l'humidité. Veuillez également noter que, plus tard, le pavillon sera ainsi suffisamment ventilé par dessous.

Nous vous proposons les fondations suivantes:

- Semelle filante ou fondations ponctuelles
- Fondations en béton ou fondations en dalles de ciment
- Fondations coulées en béton

Construisez le fondement de la façon qu'il soit une pierre au-dessous de chaque bifurcation et que tous les détails d'ossature soient soutenus dans tous les 60 cm au maximum.

Faites-vous le cas échéant conseiller par un spécialiste ou faites réaliser les fondations par un spécialiste.

## Inspection de la liste des pièces

Avant commencer l'assemblage, s'il vous plaît utilisez la liste des pièces pour vérifier si la fixation est complète (voir Spécifications Techniques).

### IMPORTANT:

- Dans l'emballage, vous trouverez un madrier supplémentaire (le madrier mural le plus long).
- Dans l'emballage, vous trouverez également une planche supplémentaire (la planche la plus longue pour le toit ou pour le sol).
- Nous vous envoyons également, dans l'emballage, 2 à 3 battes marquées comme telles pour vous aider dans le montage (un profilé de madrier d'une longueur de 20 à 30 cm environ).

Toutes les pièces mentionnées ci-dessus **NE SONT PAS** énoncées dans la liste de pièces.

## 3 Montage

### Préparation des détails:

Rangez les détails suivant les numéros de position pour faciliter la recherche de bonnes détails en montant l'abri.

**IMPORTANT:** Ne déposez pas les bois directement sur le gazon ou dans la saleté, car les bois seront alors difficiles, voire impossibles à nettoyer plus tard!

### Poutres de fondation

L'ossature de l'abri doit être absolument plat et vertical pour assurer l'installation de l'abri sans problèmes. Placez les poutres de l'ossature trempées sur le fondement préparé en suivant les images. Vérifiez si les poutres sont verticales et se trouvent sous l'angle droit avant de les visser avec des vis de 6x120 mm. Utilisez le foret de 5 mm pour forer les trous pour les détails. Contrôlez si l'ossature vissé ensemble correspond aux dimensions montrées sur l'image. (N.B. Une différence de +/- 5 mm à cause de l'expansion ou la compression du bois au cours de transport ne gêne pas l'installation de l'abri.)

**REMARQUE:** Il est conseillé de placer, entre les poutres de fondation et les fondations, une barrière d'humidité qui protégera contre l'humidité et la putréfaction.

## Notice de montage – Français

**REMARQUE:** Il est également conseillé d'ancrer les poutres de fondation dans les fondations. (A ces fins, utilisez par exemple des cornières en acier, des ancrages pour béton, ou autres). Ce matériel ne fait pas partie de l'étendue de la fourniture!

### Parois

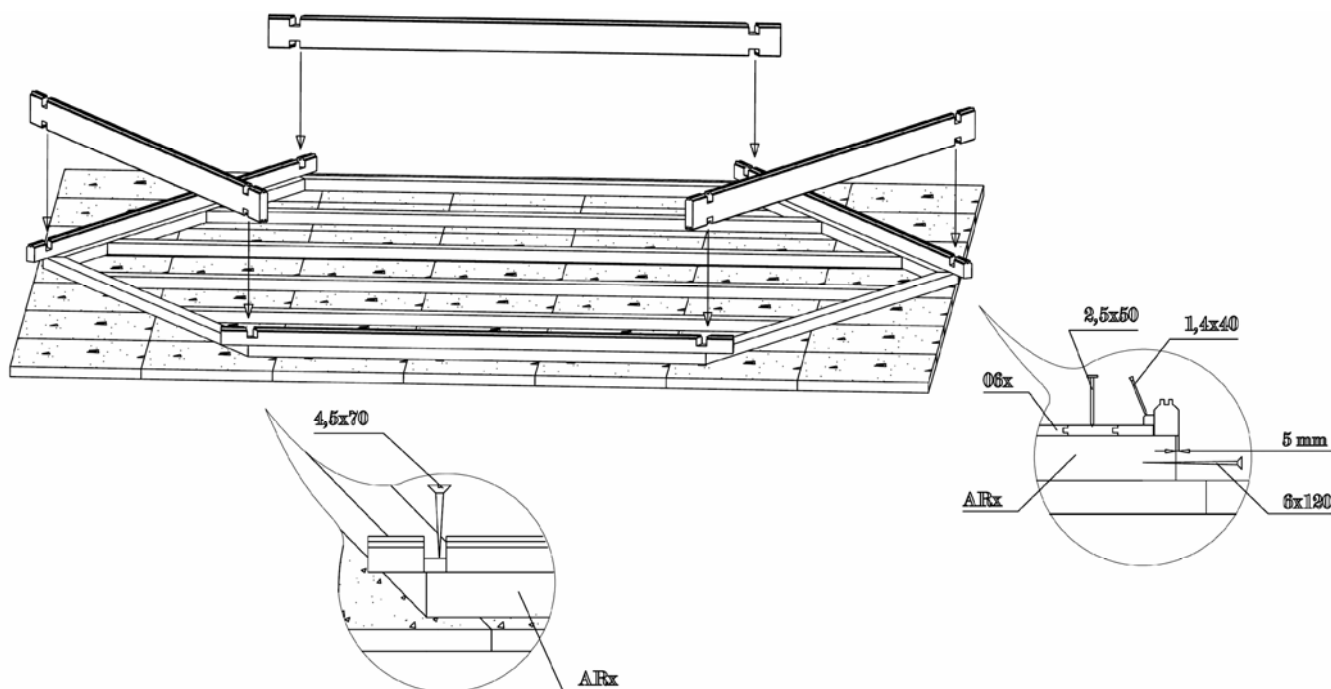
Lors du montage des parois, il est important de savoir ceci:

- Les madriers des parois s'emboîtent toujours languette tournée vers le haut!
- En cas de besoin, utilisez la planche à frapper et le marteau! Ne jamais frapper directement sur le ressort avec le marteau!

Les plans des parois (voir Spécifications Techniques) vous montrent le montage des parois.

**IMPORTANT:** Les planches du plancher doivent être installés avant installer les parties composantes du mur!

#### Premier cercle de détails



Placez le premier rang des détails de paroi sur l'ossature comme l'image le montre (les détails de pleine hauteur et de mi-hauteur les uns après les autres). Vérifiez que le premier rang des détails monte environ 5 mm au-dessus des poutres du fondement. Ainsi vous protégez votre abri de l'humidité; l'eau de pluie peut couler dans le sol librement.

Enlevez prudemment les détails de paroi de pleine hauteur (114 mm). Attachez les détails de mi-hauteur à l'ossature mettant les vis de 4,5x70 mm dans les mortaises (voir l'image). Reposez les détails de pleine hauteur à leurs places.

**IMPORTANT:** Vérifiez que les mesures et la place de poutres de fondation soient les mêmes comme sur le dessin (voir Spécifications Techniques).

Continuez en emboîtant fermement les madriers suivants les uns dans les autres. En cas de besoin, utilisez la planche à frapper et le marteau. Cependant, n'oubliez également pas de commencer par le montage des fenêtres et de la porte.

Vous devez impérativement procéder au montage de la porte après avoir posé la 5e - 6e couche de madriers.

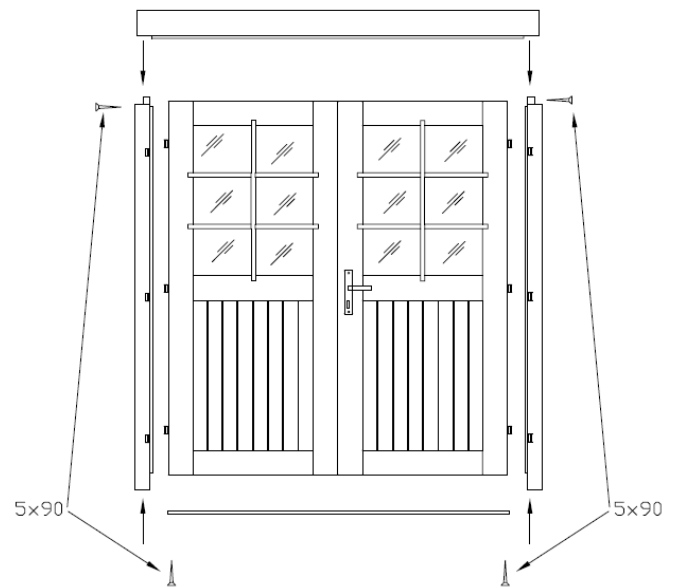
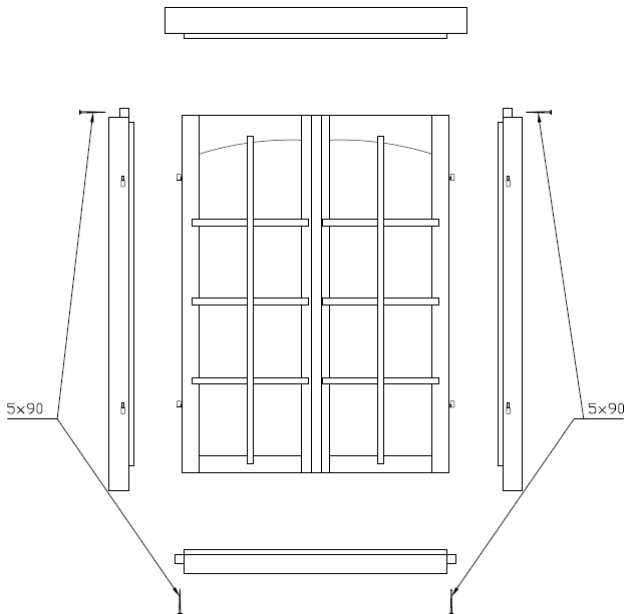
## Porte et fenêtres

### Installation des châssis de la porte et de la fenêtre:

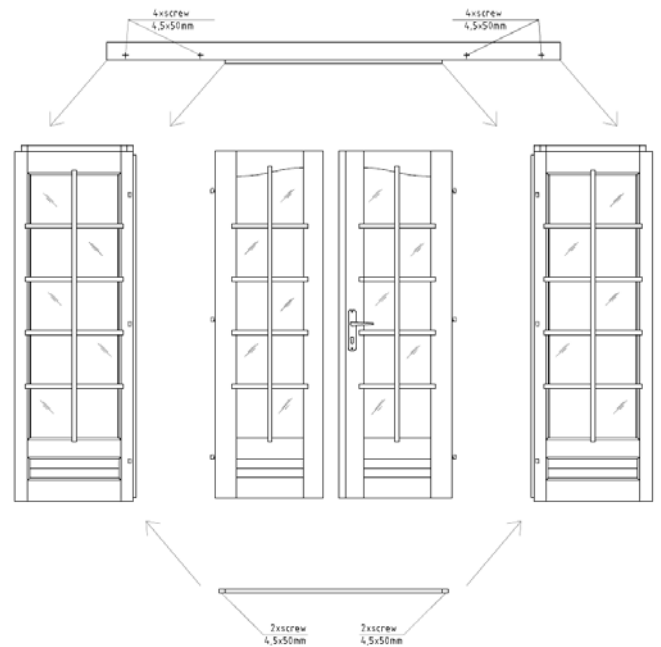
- Dans le cas de la porte et fenêtre double, les éléments du dormant sont livrés détachés, pour des raisons de transport, et il faut commencer par les assembler.
- A ces fins, assemblez les quatre bois du dormant de la porte ou fenêtre double, et vissez-les.
- Veuillez noter que la partie du dormant comportant les fraises profondes vient contre le côté supérieur de la porte. Les éléments latéraux du dormant comportent des charnières et ils sont symétriques.
- Il est conseillé de n'accrocher que plus tard les vantaux de la porte.

### Fenêtre:

### Porte ver. 1 (PAY44-4242):



### Porte ver. 2 (PAY44-5742):



## Notice de montage – Français

### Installation de la porte

Quand l'abri est installé, posez les vantaux de porte sur les charnières. Installez les cache-entrées, loquets et la serrure à la porte. Ajustez les charnières si c'est nécessaire. Nettoyez les vitres de la porte et mettez des liteaux (*barreaux de la porte*) à leurs places avec des vis que vous trouvez chez le lot des liteaux.

### Installation de la fenêtre

Installez les fenêtres pareillement. Pour les fenêtres il faut encore installer les éléments de retenue.

**REMARQUE:** Pour les fenêtres et les portes, respectez impérativement le sens de montage. Les portes s'ouvrent toujours de l'intérieur du pavillon **vers l'extérieur**. Les fenêtres s'ouvrent **vers l'extérieur** aussi (les poignées des fenêtres sont à l'intérieur du pavillon).

**IMPORTANT:** Il n'est pas nécessaire de fixer la porte et les fenêtres sur les madriers des parois. Si vous le souhaitez, ne les fixez à l'aide d'une ou de deux vis que dans la zone inférieure des cadres, afin que les madriers des parois puissent se mettre bien en place lors du séchage.

Ne procéder au réglage définitif de la porte qu'au bout de 2 à 3 semaines environ, après que le bois se soit adapté au climat et que les madriers des parois se soient mis en place.

Après installer toutes les parties du mur, tous les murs doivent être à la même hauteur. Maintenant, fixez sur le mur la baguette de support (Pos. 151) comme il est montré dans le dessin.

## Toit

Avant d'installation du toit vérifiez que l'abri est absolument verticale. Contrôlez tous les parois avec un niveau d'eau. Attachez le détail no 151 sur les parois avec des vis de 5x90 mm (voir l'image). Si vous avez l'abri PAY44-5742, attachez les détails no 151 et 152 sur les parois avec des vis de 5x90 mm en suivant l'image.

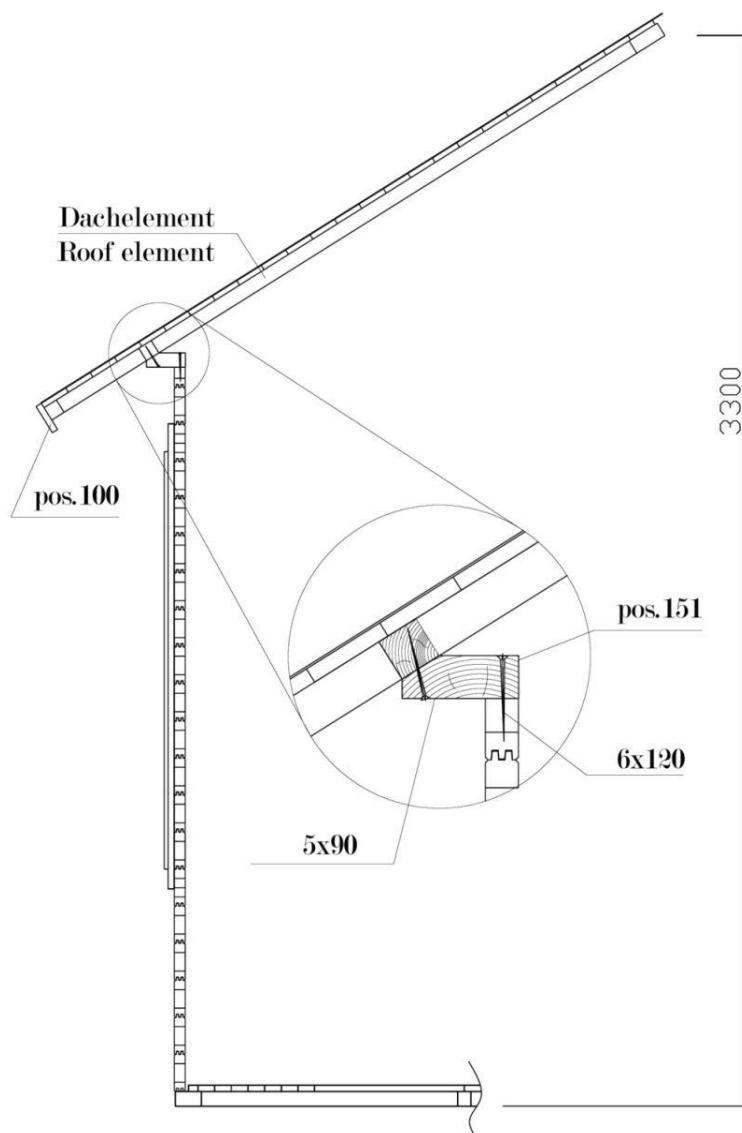
En installant le toit il faut tout d'abord visser ensemble les deux cotés triangulaires (gauche et droite) du toit, en utilisant des vis de 5x90 mm. Ainsi vous aurez 8 (l'abri PAY44-4242) détails triangulaires de toit. Dans le cas de l'abri PAY44-5742 vous aurez 6 détails triangulaires et 4 détails en forme de trapèze.

**ATTENTION!** Attacher les shingles sur les détails de toit avant d'installer le toit sur l'abri de jardin.

Pour installation des éléments de toit on a besoin de deux poutres ou planches à 3,60 m. On a encore besoin de l'aide de deux personnes au minimum.

Posez élément sur la corniche, comme montré sur l'image et fixez-le avec des vis de 5x90 mm. Si vous avez l'abri PAY44-5742, commencez par triangle du bout central. Pour forer, il faut utiliser un foret de 5 mm.

Installez l'élément suivant pareillement. En installant le deuxième élément il faut examiner que les extrémités inférieures et supérieures des éléments coïncident.



## Notice de montage – Français

Quand le deuxième élément est fixé sur la corniche, vissez les deux éléments ensemble avec des vis de 5x90 mm. Il faut absolument forer les trous avant de visser, cela simplifie l'assemblage des éléments et rend les jonctions plus fortes.

Installez pareillement tous les éléments qui restent

En général le montage du dernier élément est le plus difficile. S'il reste un écart entre les éléments ayant monté le dernier élément et ils ne s'étendent pas l'un à l'autre, on peut enlever prudemment les éléments installés de la corniche et les pousser vers le haut. Puis il faut les remonter sur la corniche avec des vis de 5x90 mm. Par contre, si le dernier élément ne va pas entre les autres, il faut déplacer tous les éléments un peu plus bas.

En cas de l'abri PAY44-5742 installez encore le détail no 160 en utilisant 10 vis de 6x120 mm.

Enfin installez le cône de toiture (s'il existe dans votre kit).

### Installation des liteaux d'avant-toit

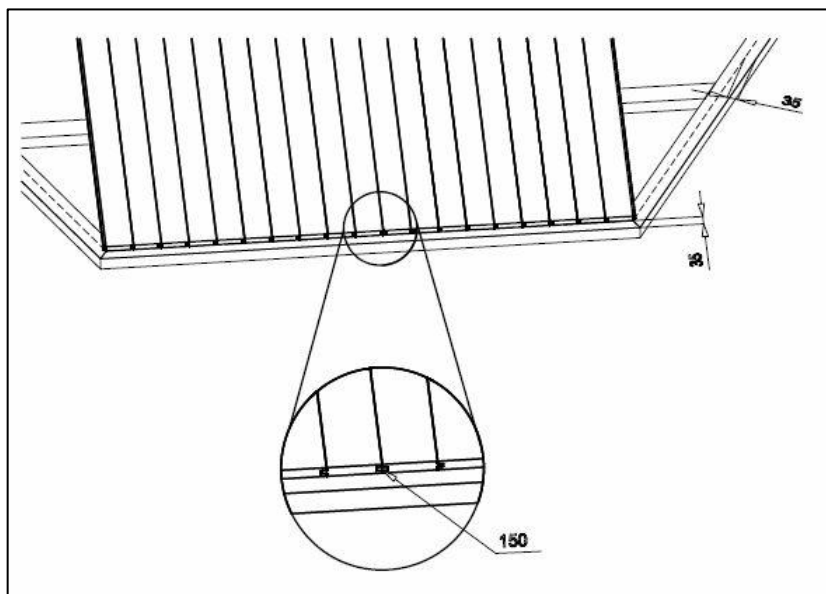
Attachez les liteaux d'avant-toit no 100 (no 100 et 101 chez le pavillon PAY44-5742) sur les éléments de toit avec des vis de 4,5x50 mm. Dans le cas idéal l'extrémité supérieure des liteaux est posée au même niveau avec l'extrémité supérieure de la planche de toiture. Si le cercle des liteaux est trop court (contrôlez si les mesures des liteaux correspondent à celles montrées dans la spécification), on peut visser les liteaux un peu plus bas. Par contre, s'il arrive que le dernier liteau ne va pas à sa place, installez tous les liteaux un peu plus haut.

## Plancher

Commencez l'installation du plancher par les longues planches centrales de 90° (pos. 061). Laissez un écart de 0,5-0,7 mm entre les planches pour équilibrer l'expansion des planches.

Les planches centrales doivent être installées aux rainures vis-à-vis ; là, il faut poser des liteaux (pos. 150).

Quand les longues planches centrales sont installées, mettez les planches aux angles aigus symétriquement aux deux cotés d'elles. Il faut laisser un écart de 0,5-0,7 mm entre les planches. La dernière, la plus courte planche doit être coupée à largeur convenable.



Attachez les planches avec des clous de 2,5x50 mm sur la charpente. On peut les clouter au-dessus des languettes, en ce cas les clous ne seront pas visibles.

### Installation des liteaux de plancher

Coupez les liteaux à longueur convenable et attachez-les avec des clous de liteaux de 1,4x40 mm.

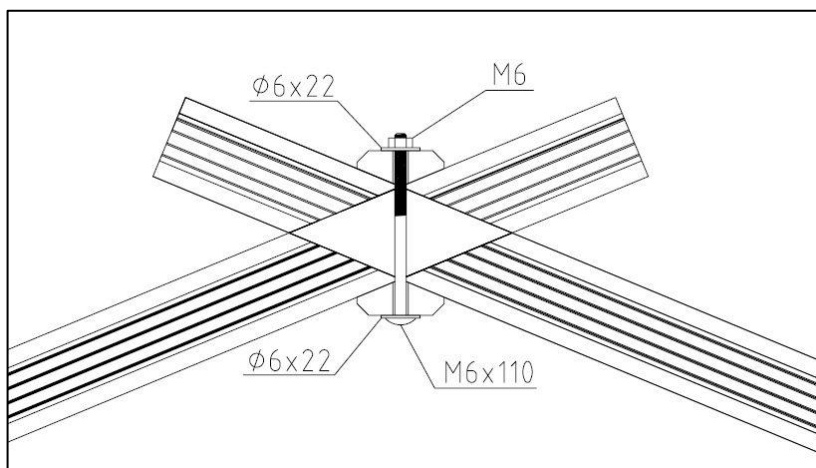


## Contreventements

Installez les lattes dans les coins de l'abri et aux deux cotés de la paroi. Fixez-les avec des boulons de 6x110, des rondelles et des écrous.

Mettez l'extrémité supérieure de la latte au niveau de la planche supérieure de paroi et forez un trou de 6 mm à travers la paroi.

Attachez des lattes aux deux cotés de la paroi. Forez 2 trous plus bas, au centre des ouvertures allongées des lattes de coin. Attachez les lattes du bas aussi avec des boulons.



**CONSEIL:** Ne tournez pas des boulons trop fort, cela empêchera l'expansion/la compression du bois. Quand l'abri est bien posé à sa place, ajustez les jonctions pour que les parois puissent descendre à l'endroit.

## Conseils

**Problème:** *Des fentes se forment entre les madriers*

Cause: Des détails complémentaires qui empêchent la mise en œuvre du bois ont été mis en place sur les parois.

Solution: Si la fenêtre/la porte sont fixées aux madriers des parois par des vis/clous, les retirer.  
Si les contreventements sont vissés de façon trop forte sur les madriers, les monter de façon souple.  
Si une conduite (d'eau) est montée sur la paroi, monter les fixations de façon souple.

**Problème:** *La fenêtre et les portes coïncent*

Cause: Le pavillon/les fondations se sont affaissées.

Solution: Vérifiez si le pavillon est de niveau. Remettre les poutres de fondation et les parois à l'état horizontal.

Cause: Les fenêtres et les portes ont gonflé sous l'influence de l'humidité.

Solution: Régler les charnières de la porte/de la fenêtre; en cas de besoin, raboter plus la porte/la fenêtre.



**Nous vous souhaitons beaucoup de moments heureux, une installation réussie et beaucoup d'années joyeuses dans votre pavillon!**

# 1 Información general



**Estimado cliente,**

¡Nos alegra que haya elegido un pabellón nuestro!

**¡Por favor, lea atentamente estas instrucciones de montaje antes de empezar a montarlo!** Esto le ahorrará problemas y pérdida de tiempo.

## **Consejos:**

- Preserve los elementos empaquetados hasta su ensamblaje completo en condiciones secas evitando el contacto directo con el suelo, y protéjalos contra las condiciones meteorológicas adversas (humedad, luz solar, etc.) ¡No los mantenga en una habitación con altas temperaturas!
- Durante la elección de la ubicación del pabellón en su jardín, no escoja un lugar donde quede expuesto a condiciones climáticas extremas (zonas de fuertes nevadas o vientos fuertes), en caso contrario será necesario sujetar su pabellón (por ejemplo, con anclajes) al subsuelo.



## **Garantía**

Su pabellón está hecho de madera de abeto de alta calidad y se entregará en estado natural (rugoso). Si, a pesar de nuestras inspecciones minuciosas, se encontrara con defectos, presente al vendedor un listado completo de **verificación** y el recibo al vendedor.

**ATENCIÓN: ¡Por favor, conservar la documentación relativa al pabellón! El número de control del pabellón se encuentra en el listado de verificación. ¡Sus quejas serán atendidas solamente si usted suministra al vendedor el número de control de su pabellón!**

La garantía no cubre:

- Características peculiares de la madera derivadas de la misma como un material natural
- Elementos que ya han sido pintados (madera tratada con conservantes de la madera)
- Elementos que contienen nudos que no afectan a la estabilidad de una casita
- Diferentes tonos de color debido a las variedades estructurales de la madera que no afectan la esperanza de vida de la madera
- Elementos con pequeñas grietas / divisiones (causadas por el secado) que no son penetrantes y no afectan a la construcción de la casita
- Elementos torcidos de madera si pueden ser instalados todavía
- Tableros de techo y suelo con superficie (oculta) rugosa, variaciones de color, y disminución
- Quejas provocadas por un montaje incompetente del pabellón o asentamientos del pabellón debidos a fallos de la construcción de los cimientos
- Quejas causadas por alteraciones no autorizadas hechas en el pabellón, tales como el doblado de los elementos de madera o de las ventanas / puertas como consecuencia del incompetente trato de la madera, de la excesivamente rígida fijación de las tablas de acceso o atornillado de los marcos de las puertas a los elementos de las paredes, etc.

**La satisfacción de las reclamaciones cubiertas por la garantía, se limita al intercambio de los materiales desaparecidos / defectuosos. ¡Todas las demás exigencias están excluidas!**



## Pintura y mantenimiento de la cabaña

La madera es un material natural que crece y se contrae debido a las condiciones climáticas. Grietas más pequeñas o más grandes, diferencias y cambios en los matices de colores y sus alternancias estructurales no son fallos, sino los resultados del crecimiento y de la peculiaridad de la madera como un material natural.

Con el tiempo la madera rugosa (excluyendo las vigas de la cimentación) cambia de color a gris o puede adoptar un color azul y enmohecer. Con el fin de proteger los elementos de su pabellón, deben ser tratados de inmediato con un conservante de madera.

Le recomendamos que cubra los suelos, especialmente sus partes inferiores, adonde no se puede llegar después del montaje de la cabaña, primero con un conservante incoloro de madera. Sólo de esta manera las tablas pueden protegerse de la penetración de la humedad.

También recomendamos que cubra las puertas y ventanas con conservantes de madera. Es esencial hacer el tratamiento tanto por dentro como por fuera de las superficies de las puertas y ventanas. En caso contrario, se pueden desarrollar deformaciones.

Después del ensamblaje del pabellón, recomendamos para su acabado el uso de pintura resistente al agua para que proteja la madera contra la humedad y la radiación UV.

Para el acabado de su cabaña utilice únicamente herramientas y pinturas de alta calidad. Además, siga los manuales de instrucciones para las pinturas y las advertencias de seguridad y las instrucciones de uso proporcionadas por el fabricante. No pintar durante una luz intensa del sol o bajo la lluvia. Consulte a un experto en relación a las pinturas para madera áspera de coníferas y siga las instrucciones del fabricante de la pintura.

La aplicación de pintura extiende considerablemente la vida útil de su pabellón. Recomendamos una cuidadosa inspección del pabellón dos veces al año.

## 2 Preparativos para el montaje

### Herramientas y la preparación de los elementos

Para montar el pabellón, necesita lo siguiente:



Auxiliar de trabajo



Escalera



Martillo



Instrumento de nivelación



Destornillador



Sierra



Cuchillo



Metro



Tenazas



Taladro

**Consejo:** Con el fin de defenderse de las astillas, durante el montaje se recomienda llevar guantes de protección.

## Cimentación

Una buena cimentación tiene la mayor importancia en términos de la vida y la seguridad de su pabellón. Sólo una cimentación completamente nivelada, rectangular y con la capacidad de carga adecuada garantiza una instalación sin problemas y la seguridad del edificio y, ante todo, puertas bien ajustadas. Su pabellón durará más tiempo si tiene una cimentación adecuada.

Construya la cimentación de modo que su borde superior se extiende por lo menos 5 cm. por encima del suelo. Al mismo tiempo, asegúrese de que hay suficientes bolsas de aire debajo del suelo para asegurar la ventilación.

Le recomendamos los siguientes tipos de cimentación:

- Cimentación de bloques o de tiras
- Cimentación de losas de hormigón o de pavimento
- Cimentación de hormigón in situ

Construya la cimentación de modo tal que las vigas de la cimentación estén debidamente apoyadas y que la distancia entre los puntos de apoyo sea por lo menos de 50-60 cm. Buscar el asesoramiento de expertos o haga preparar la cimentación por especialistas cualificados.

## Control de los detalles

Antes del montaje compruebe por favor el contenido del paquete. Con la ayuda de la especificación (incluido con este manual de instalación) asegurarse de que todas las partes que figuran en la especificación se incluyen en el paquete.

### ATENCIÓN:

- El paquete también incluye el elemento de repuesto (la parte más larga de la pared)
- El paquete también incluye una tabla de repuesto (el tablero más largo del techo o del suelo)
- El paquete incluye 2-3 bloques etiquetados para golpear (una pieza del perfil de pared aproximadamente de 20-30 cm. de largo)

Los elementos mencionados arriba NO ESTAN incluidos en el listado de detalles.

## 3 Ensamblaje del pabellón

### Preparación de los elementos:

Clasificar los siguientes elementos siguiendo el esquema de la pared (ver datos técnicos) y colocarlos en el orden de montaje en los cuatro lados del pabellón.

**ATENCIÓN:** ¡No coloque los elementos sobre la hierba o tierra fangosa porque es extremadamente difícil, si no imposible, limpiarlos después.

### **Marco de la cimentación (vigas de cimentación)**

El marco de la cimentación de la cabaña tiene que ser absolutamente recto y nivelado a fin de evitar problemas durante el montaje de la construcción. Ponga las vigas tratadas con conservantes sobre la cimentación preparada a intervalos iguales según el dibujo. Antes de fijarlas juntas con los tornillos de 6x120mm, asegúrese de que las vigas están niveladas y tienen los ángulos rectos. (NOTA! El marco de la cimentación puede hinchar/contraer +/-5% durante transporte. Esto no afecta la instalación del pabellón.)

**ATENCIÓN:** ¡casas separadas pueden tener diferentes posiciones de la cimentación - ver el dibujo que representa el marco de la cimentación (vea los datos técnicos)!

**Consejo:** Es recomendable colocar una barrera de humedad entre las vigas de cimentación y la cimentación para proteger el edificio contra la humedad y los daños.

**Consejo:** Con el fin de proporcionar protección contra el viento y las tormentas, se recomienda fijar vigas del marco a la cimentación utilizando, por ejemplo, soportes metálicos, anclajes, etc. ¡Estos elementos no están incluidos en el paquete entregado!

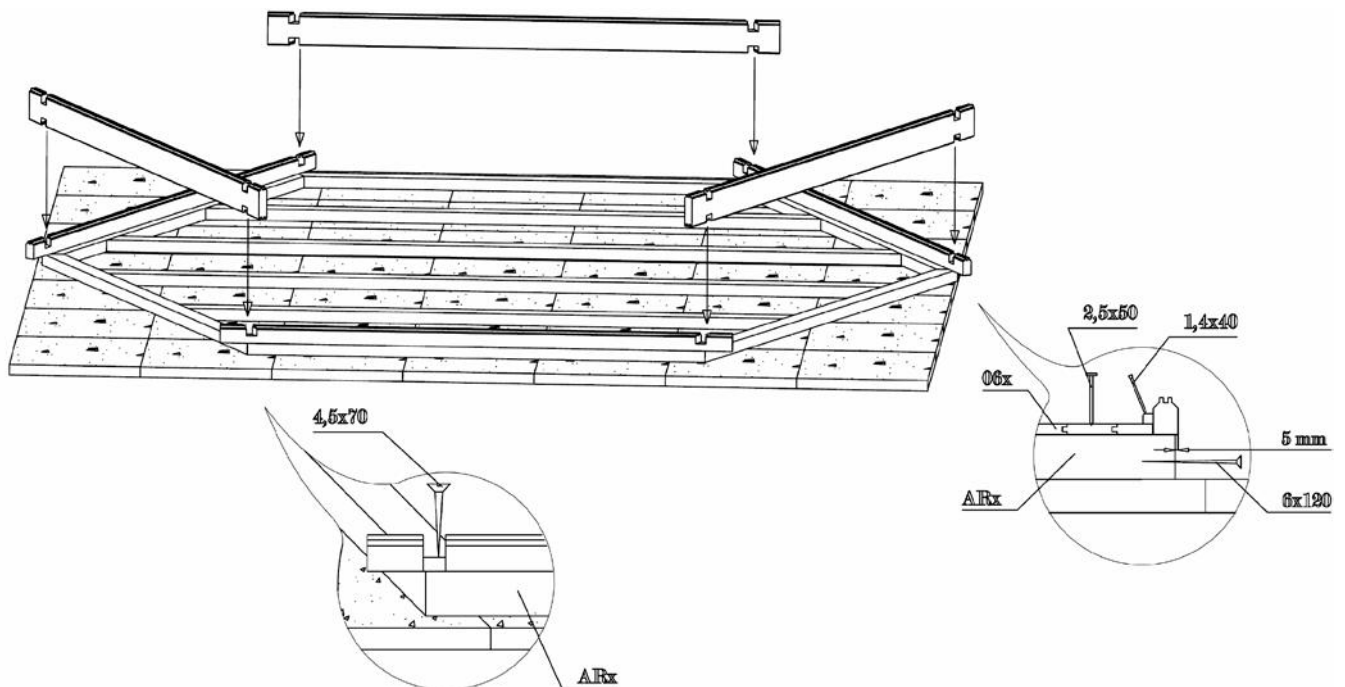
## Paredes

Durante el montaje de las paredes, recuerde que:

- ¡Todos los elementos han de ser montados con la lengüeta hacia arriba!
- ¡Si es necesario, use los bloques para golpear en vez de un martillo! ¡Nunca golpee directamente en la lengüeta!

Monte las paredes mirando los esquemas de las paredes adjuntos (ver datos técnicos).

*La primera ronda de los elementos:*



En primer lugar, coloque la primera ronda de las tablas de pared en el marco de la cimentación según la imagen, encajando en orden las tablas. Ahora saque cuidadosamente las tablas enteras de pared y fije las muescas con tornillos de 4,5x70mm a las vigas de cimentación como se muestra en la imagen. Reponga las tablas enteras en su lugar.

Asegúrese de que la primera ronda de los elementos sobresalen un poco sobre las vigas de la cimentación: los elementos deben ser unos 3-5 mm. sobre las vigas. De esta manera usted protege su casa contra la humedad, dejando fluir libremente el agua de lluvia al suelo.

**ATENCIÓN:** Asegúrese que las medidas del marco de la cimentación son las mismas que las indicadas en la especificación técnica.

Continuar con la instalación de las paredes, presionando firmemente los elementos entre sí. Si es necesario, use los bloques para golpear y un martillo. Pronto deberá empezar con la instalación de la puerta y de las ventanas.

La instalación de la puerta debería comenzar después de la quinta o sexta ronda de la instalación de las tablas

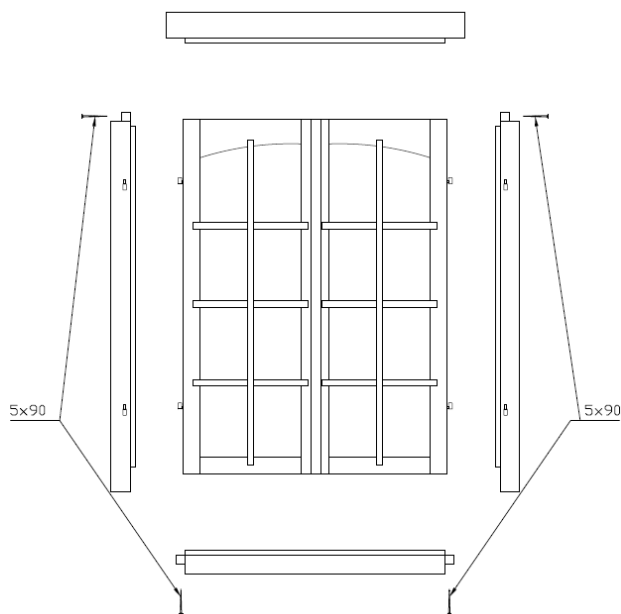
## Puertas y ventanas

### Marco de puerta y ventana:

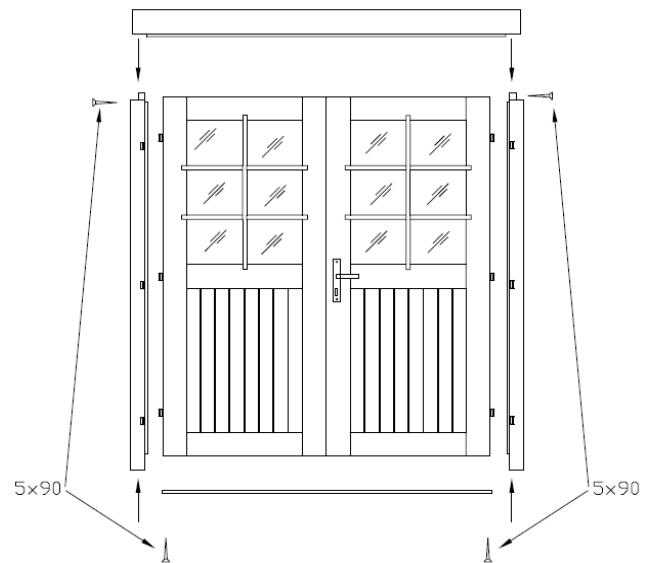
- Por razones de transporte, los marcos de las puertas y ventanas dobles se entregan en partes separadas y primero se necesita montarlas
- Con el fin de hacerlo, coloque las cuatro partes de la puerta en su lugar y fijelas con tornillos de 5x90mm unas a otras
- Asegúrese de que el elemento del marco con un corte más profundo es el elemento superior. Los elementos laterales con las manillas de las puertas tienen bisagras y contra imagen.
- Es recomendable instalar los paneles de la puerta más tarde.

### Instalación de la puerta y ventana doble:

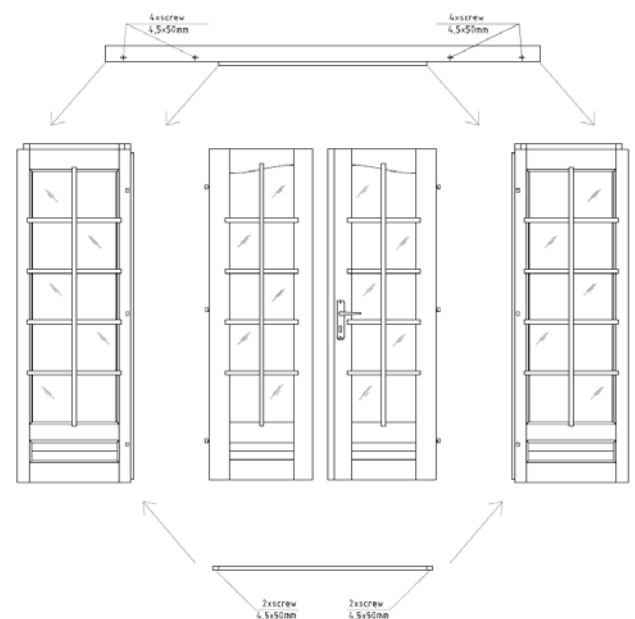
#### Ventana:



#### Puerta ver. 1 (PAY44-4242)::



#### Puerta ver. 2 (PAY44-5742)::



### Instalación de la puerta:

Cuando el pabellón está instalado, ponga las hojas de la puerta en su lugar. Para abrir la puerta ajuste el cerrojo y las manillas de la puerta empaquetados por separado. Si es necesario, regule la puerta mediante las bisagras. Limpie el cristal y fije los listones.

### Instalación de la ventana:

Instale las ventanas en la manera en que se describe la instalación de la puerta. Adicionalmente se tiene que instalar los fijadores de ventanas.

**Consejo:** Durante la instalación de las puertas y ventanas observe la dirección de abertura. Las puertas siempre se abren **hacia al exterior**. Las ventanas con giro lateral se abren **hacia adentro**. Las ventanas con el giro superior se abren hacia al exterior (con las manillas en el interior).

**ATENCIÓN:** ¡No es necesario fijar la puerta y las ventanas a los elementos de la pared! Si desea puede fijarlas solo con un par de tornillos en la parte inferior del marco ya que los elementos de la pared cada vez se secan más y se contraen.

El último ajuste de las puertas y ventanas sólo puede hacerse aproximadamente 2-3 semanas después de la instalación del pabellón, cuando se ha adaptado a las condiciones climáticas y todos los elementos se han asentado

**ATENCIÓN: Fije los listones para ventanas y puertas usando tornillos de 3x16mm!**

## Tejado

Después de instalar las paredes, compruebe que la casa esta totalmente nivelada. Compruebe todas las paredes con el instrumento de nivelación. Después, el pos 151 tiene que estar atornillado (5x90mm tornillo) a los paredes según la imagen.

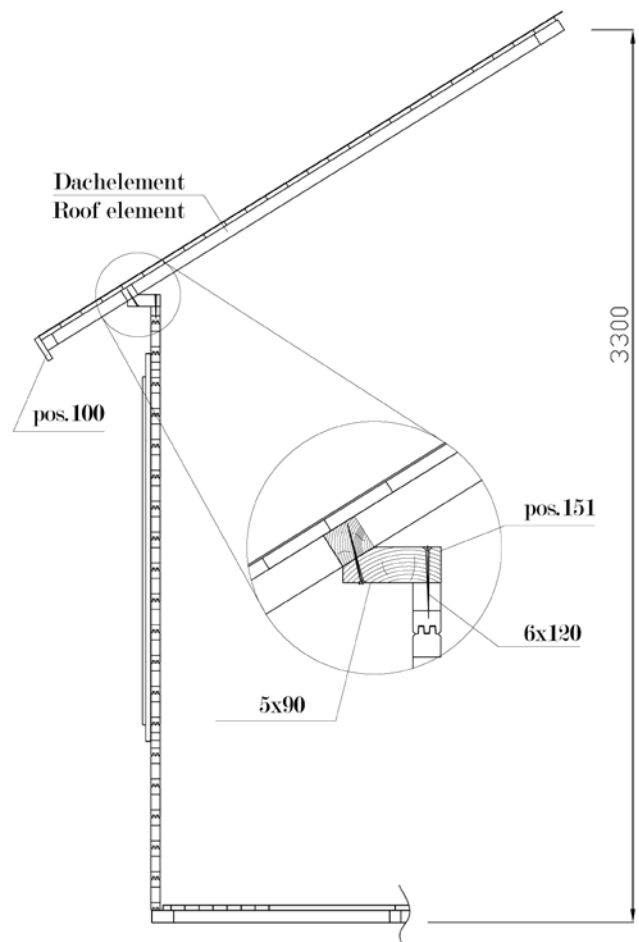
En el caso de pabellón PAY44-5742 se tiene que atornillar los pos 151 y pos 152 con 5x90mm tornillo a las paredes según la imagen.

Al principio sujete ambas mitades triangulares del tejado (izquierdo y derecho) con 5x90mm tornillos. De esta manera los 8 elementos triangulares del tejado están fijados para el pabellón PAY44-4242. En el caso de pabellón PAY44-5742 están fijados por 6 elementos triangulares y 4 elementos trapecios.

**ATENCIÓN:** Sujete la teja asfáltica (no incluida) a los elementos de tejado antes de la instalación del tejado al pabellón. Mantenga cerca tablas de longitud de ca. 3,6m para apoyar los elementos de tejado durante el montaje. Para instalar los elementos del tejado son necesarias 2 personas. Sitúe un triángulo del tejado a lo alto de la pared y asegure con la tabla el centro del triángulo. En el caso del pabellón PAY44-5742 comience con el triángulo del tejado en la mitad.

Fije el triángulo del tejado al soporte de la pared con tornillos de 5x90 mm como en la imagen.

El siguiente triángulo se monta de la misma manera. Cuando se instale el segundo triángulo, asegúrese que el borde y la parte superior están a la misma altura que los del primer triángulo.



Cuando el segundo triángulo se ha sujetado al soporte de pared, atornille ambos elementos juntos con tornillos de 5x90. Está recomendado taladrar previamente para que la conexión entre ellos sea más fuerte.

Los demás triángulos del tejado se montan de la misma manera.

Normalmente la instalación del último elemento del tejado es lo más complicado. Si queda un espacio entre los triángulos, desatornille los de las paredes y empújelos hacia arriba. En su lugar correcto fíjelos otra vez con al menos 4 tornillos de 5x90mm. Si por el contrario no queda suficiente espacio para el último triángulo, se tiene que empujar todos los elementos hacia abajo.

En el caso de pabellón PAY44-5742 instala el pos 160. Fíjelo con 10 tornillos de 6x120mm. Por último, coloque el caballete metálico de tejado. (¡NOTA! No incluido en algunos modelos)

#### Montaje de las tablas de voladizo:

Fije las tablas de voladizo, pos 100 (en el caso de pabellón PAY44-5742 pos 100 y pos 101) a los triángulos del tejado con 4,5x50mm tornillos. Lo ideal sería que la parte superior de la tabla de voladizo esté en el mismo nivel que la parte superior de la tabla de tejado.

## Suelo

Comience el montaje del suelo del centro con las tablas más largas, 90 (pos.061). Deje un espacio de entre 0,5-0,7mm entre las tablas del suelo. Es necesario para que las tablas de suelo puedan dilatar según el estado del tiempo.

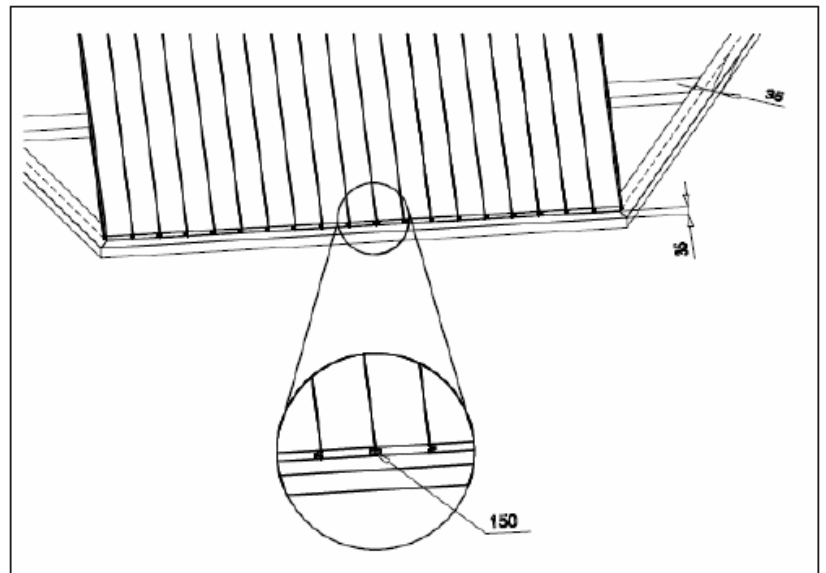
Coloque las tablas del suelo en el centro, de modo que las ranuras se toquen. La ranura se llena con listones pos 150.

Después de que la parte central del suelo ha sido montado, siga a los lados con tablas de suelo de 45. No olvide dejar espacios pequeños de entre 0,5-0,7mm entre las tablas. La tabla última y más corta debe cortarse a la longitud correcta.

Las tablas de suelo se tienen que fijar a cada viga de cimentación con clavos de 2,5x50mm.

#### Montaje de los listones de suelo:

Los listones de suelo se tienen que cortar a su medida correcta. Fije los listones con clavos de 1,4x40mm.





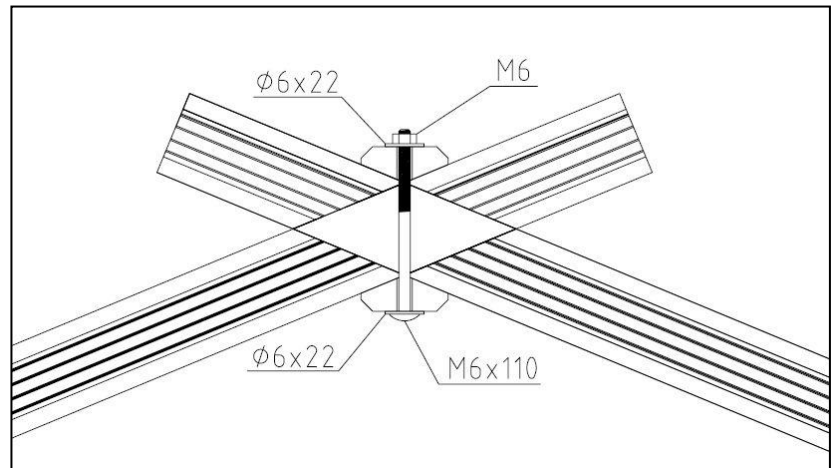
## Protección contra tormentas

Protección contra tormentas (pos 140) se tienen que fijar en las esquinas de los pabellones a ambos lados de la pared con pernos de 6x110 mm y tuercas.

El lado superior del protector contra tormentas tiene que estar al mismo nivel con la última tabla de la pared. Es importante perforar antes con broca de  $\varnothing$  6 mm.

Coloque los protectores contra tormentas a ambos lados de la pared.

Perfore también en el centro de los huecos ovales de los protectores contra tormentas. Fije los listones con pernos.



**CONSEJO:** No fije los pernos muy fuertes, porque así la madera podrá dilatar y contraer. Cuando el pabellón se ha asentado, es aconsejable ajustar los accesorios.

## Recomendaciones generales:

**Problema:** *Aparecen aberturas entre los elementos de la pared*

**Causa:** La casa dispone de elementos adicionales incluidos que no permiten la expansión / contracción de la madera.

**Solución:** Si una puerta / ventana se ha sido fijada a los elementos de la pared con tornillos detalles / clavos, retire los tornillos / clavos.  
Si un tablero de acceso ha sido fijado con un tornillo demasiado firmemente, afloje un poco el tornillo.  
Si las tuberías (de lluvia) han sido fijadas a las paredes, afloje un poco el cierre que sujeta las tuberías.

**Problema:** *Puertas / ventanas están atascadas.*

**Causa:** La casa / cimentación ha asentado.

**Solución:** Compruebe si la casa esta nivelada. Si no lo está, nivele las vigas de la cimentación y las paredes de nuevo.

**Causa:** Puertas y ventanas se han hinchado debido a la humedad.

**Solución:** Ajustar las bisagras de las puertas y ventanas, si es necesario, alise la puerta o una ventana más fina.



**¡Le deseamos la mejor de las suertes en el montaje de su pabellón y mucha alegría por muchos años!**

## I. In generale



### **Gentile Cliente,**

siamo veramente lieti che Lei abbia scelto la nostra casetta di legno per il Suo giardino!

**E' importante leggere accuratamente le istruzioni prima di iniziare con il montaggio della Sua casetta di legno!** In tal modo eviterà qualsiasi problema e perdita di tempo.

#### **Consigli:**

- Conservare il kit in luogo asciutto e non direttamente sul pavimento, protetto da agenti atmosferici (acqua, sole ecc.) fino al montaggio definitivo. Non conservare il prodotto in ambienti riscaldati !
- Nella scelta del luogo di collocamento, fare attenzione che la casetta non sia esposta a condizioni atmosferiche estreme (vento forte); eventualmente ancorare la casetta ulteriormente con le fondamenta.



### **Garanzia**

La vostra casetta è stata realizzata con pregiato legno di abete rosso nordico e viene consegnata in stato non trattato. Qualora, nonostante il nostro accurato controllo in fabbrica, dovessero sorgere reclami, sarà necessario presentare al negoziante il certificato di controllo compilato insieme alla fattura d'acquisto!

**IMPORTANTE: E' assolutamente necessario conservare la documentazione! Sul certificato di controllo è riportato il numero di controllo della casa. Reclami possono essere evasi in garanzia unicamente se comunicherete il numero di controllo al vostro negoziante!**

#### Divergenze che escludono motivo di reclamo:

- Il legno è un prodotto naturale e pertanto le contestazioni relative allo stato naturale non rientrano nella garanzia.
- Reclami relativi al materiale non vengono accettati una volta verniciato!
- Rami cresciuti nel legno.
- Scolorimenti del legno che non influiscono sulla durata.
- Crepe /fessure non passanti che non compromettono la costruzione.
- Nodi nel legno a condizioni che possa ancora essere lavorato.
- Nei punti invisibili del tavolame tetto e pavimento sono ammesse tavole non piallate; sono inoltre ammesse differenze di colore e spigoli dell'albero.
- Reclami successivi dovuti a montaggio non conforme, cedimento della casetta a causa di fondamenta errate sono esclusi.
- Modifiche proprie alla casetta, p.es. deformazione di tavole e finestre/porte dovuta alla mancata verniciatura del legno o al montaggio, fissaggio troppo rigido del listello antivento, avvitarimento dei telai porta con le tavole di legno ecc., sono esclusi.

**Le rivendicazioni di garanzia sono limitate alla sostituzione del materiale difettoso. Ogni altra rivendicazione è esclusa!**



### Verniciatura e cura

Il legno è un prodotto naturale e si muove in modo diverso. Caratteristiche quali venature grosse e fini, sfumature di colore e cambiamenti nonché nodi sono dovuti alla crescita dell'albero. Sono del tutto normali nei legni che crescono all'aperto, e pertanto non sono da considerare difetti ma piuttosto una caratteristica del legno naturale.

Il legno non trattato (ad eccezione dei travetti) diventa grigio col tempo, può scolorirsi e fare la muffa. Per proteggere la vostra casetta di legno, è consigliabile trattarla con opportuni preservanti per legno.

Per proteggere al meglio la vostra casetta da giardino, consigliamo di trattare le tavole del pavimento preventivamente con un colore di fondo neutro, in particolare la parte inferiore che non sarà più raggiungibile dopo il montaggio. Solo in questo modo la penetrazione di umidità potrà essere evitata.

Consigliamo di trattare in ogni caso anche porte e finestre con un colore di fondo. E' molto importante verniciare sia il lato interno che quello esterno delle porte in un'unica soluzione, altrimenti potrebbero deformarsi !

Dopo il montaggio, consigliamo di applicare uno strato di fondo sulla pelle esterna (senza tetto), non appena il medesimo si sarà asciugato, verniciare la casetta con una velatura per legno per proteggere il legno dall'umidità e dalle radiazioni UV.

Per la verniciatura, usare attrezzi e vernici di qualità e rispettare le istruzioni di sicurezza e applicazione del produttore della vernice. Non verniciare in pieno sole o in caso di pioggia. Farsi consigliare dettagliatamente dal venditore sulla protezione di legni di conifera non trattati.

Con una regolare verniciatura aumenterete notevolmente la durata della vostra casetta da giardino. Consigliamo un'ispezione semestrale della casetta.

## II. Preparazione al montaggio

### Attrezzi e preparazione dei particolari

#### Attrezzi occorrenti:



aiutante



scala doppia



martello



livella a bolla d'aria



cacciavite



sega



coltello



metro



pinza



trapano

**AVVERTENZA:** Per evitare lesioni causate da eventuali schegge di legno, portare guanti di protezione durante il montaggio.

## Fondamenta

La cosa più importante per la sicurezza e la durata della vostra casetta sono delle buone fondamenta. Solo fondamenta completamente orizzontali e stabili garantiscono un montaggio perfetto delle tavole di legno, stabilità e soprattutto precisione di adattamento delle porte. Con delle buone fondamenta, la vostra casetta di legno durerà molti anni di più.

Preparare le fondamenta in modo tale che il bordo superiore sporga di almeno 5 cm dal pavimento per proteggere la vostra casetta meglio dall'umidità. Ricordate inoltre che la casetta deve essere sufficientemente ventilata.

Nostri consigli per le fondamenta:

- Fondamenta a strisce o punti
- Fondamenta in calcestruzzo risp. fondamenta con lastre da marciapiede
- Gettata di calcestruzzo

Preparare le fondamenta in modo che sotto ogni nota ci sia una pietra e i componenti della struttura siano sostenuti da un minimo di 60 cm.

Fatevi eventualmente consigliare da un esperto ovvero fate preparare le fondamenta da un esperto.

### IMPORTANTE:

- Compresa nella confezione, una tavola supplementare (tavola parete più lunga).
- Compresa nella confezione, una tavola supplementare (tavola tetto risp. pavimento più lunga).
- Compresi nella confezione, 2-3 legni contrassegnati per aiuto montaggio (profilo tavola lungo ca. 20-30 cm).

Gli elementi menzionati sopra **NON** sono elencati nella distinta pezzi.

- Nelle figure, gli elementi sono contrassegnati con voci a tre caratteri. Troverete le voci esatte di tali elementi il cui 3° carattere nella figura è contrassegnato con "x", nella distinta pezzi.

## III. Montaggio

Preparazione dei particolari:

Dividere il materiale secondo i numeri di posizione, questo lo rende più semplice per trovare i corretti componenti durante l'installazione della casa.

**IMPORTANTE:** Non appoggiare mai i legni direttamente sul prato o su superfici sporche in quanto sarebbe difficile o persino impossibile pulirli successivamente!

## Travetti

La struttura di base di una casa deve essere piana e livellata per assicurare che l'installazione della casa sia senza sforzo. Installare le travi della struttura di base sulle fondamenta preparate come mostrato in figura. Accertarsi che le travi siano livellate e a destra prima di avvitarle con viti da 6x12 mm. Il componente fisso deve essere trapanato con Ø 5 mm. Controllare se la struttura base soddisfa le misurazioni fornite nella figura. (NB! La struttura di base può differire di +/- 5 mm a causa dell'espansione/restringimento del legno. Questo non interferisce con l'installazione).

**AVVERTENZA:** E' consigliabile interporre tra i travetti e le fondamenta un blocca-umidità che protegge da umidità e marcio.

**AVVERTENZA:** E' inoltre consigliabile ancorare i travetti con le fondamenta. (Usare a tale scopo p.es. squadra di metallo, bulloni di ancoraggio per calcestruzzo e sim.). Questo materiale non è in dotazione!

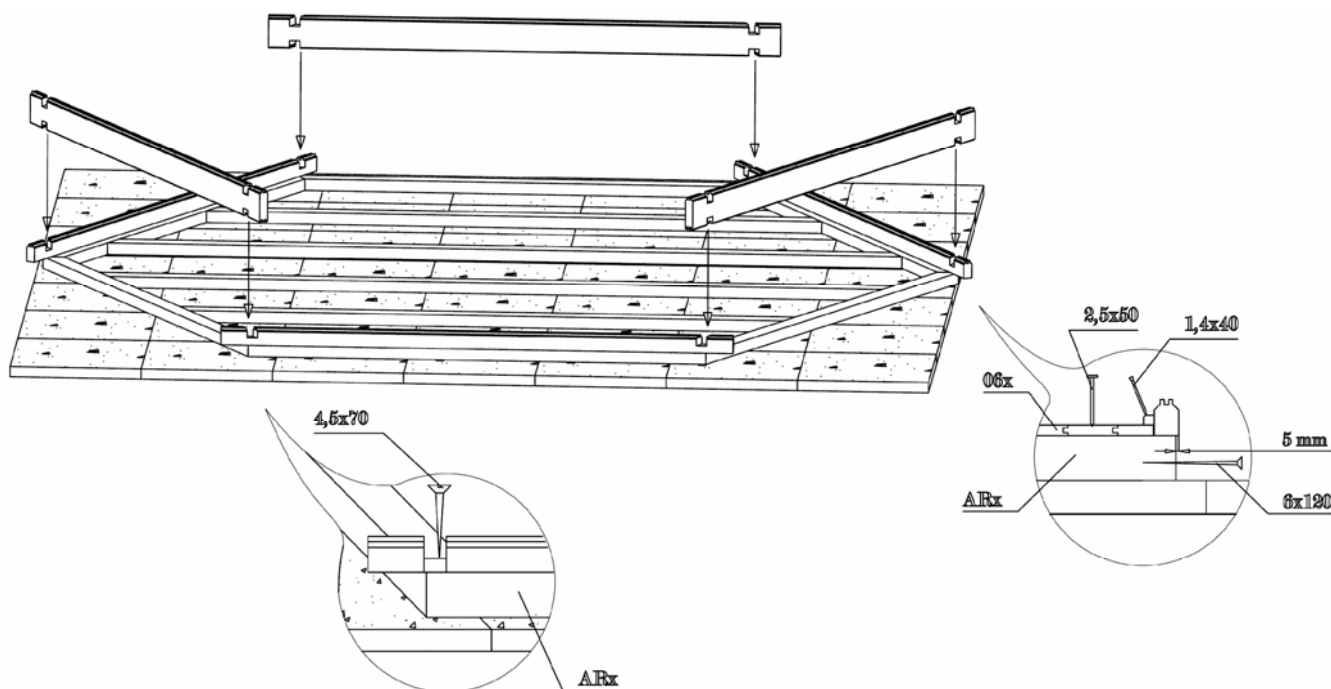
## Pareti

Per il montaggio delle pareti è importante sapere che:

- Le tavole di parete vengono unite sempre con il maschio verso l'alto!
- Se necessario, usare il blocchetto di legno ed il martello! Non battere mai con il martello direttamente sul maschio!

Gli schemi delle pareti (vedi parte: Dati Tecnici) illustrano il montaggio delle pareti.

### Cerchio di tavole



Mettere la prima fila di componenti sulla struttura come indicato nella figura (altezza completa e a metà). Accertarsi che il primo componente raggiunga 5 mm sulle travi. Questo protegge la casa dall'umidità consentendo la precipitazione per scorrere liberamente sul terreno.

Rimuovere attentamente i componenti della parete ad altezza completa (114 mm). I componenti di metà dimensione per la struttura di base con giunture con viti da 4.5x70mm come mostrato nella figura. Impostare i componenti ad altezza completa ai loro posti.

**IMPORTANTE:** Dopo il primo cerchio di tavole, misurare la diagonale ed eventualmente ri-allinearla! Soltanto se le misure della diagonale corrispondono al millimetro, il telaio si trova in squadra e può essere fissato. Se necessario, ripetere l'allineamento.

Proseguire incastrando saldamente le prossime tavole tra loro. Se necessario, utilizzare il blocchetto di legno ed il martello. Ricordare sempre di iniziare con il montaggio delle finestre e delle porte.

Il montaggio delle porte dovrebbe in ogni caso avvenire dopo il 5°-6° strato di tavole.

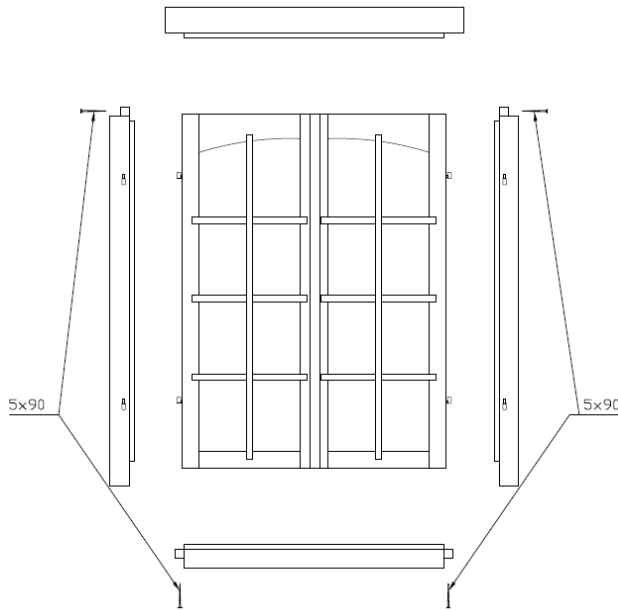
## Porta e finestra

### Telaio porta:

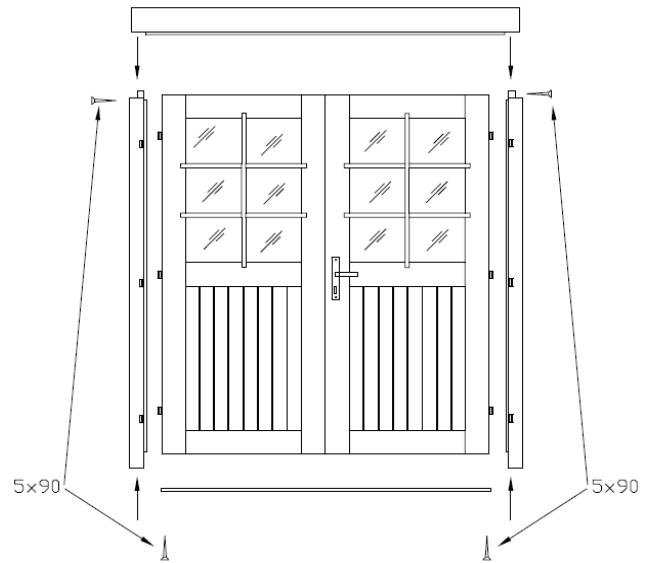
- Per motivi di trasporto, in caso di porta doppia, gli elementi del telaio vengono consegnati sfusi e devono essere assemblati.
- A tale scopo, unire i quattro legni del telaio della porta doppia e avvitarli.
- Fare attenzione che l'elemento con le fresature più profonde vada a finire sul lato superiore della porta. Gli elementi laterali sono speculari con le cerniere.
- E' raccomandabile applicare i battenti solo in seguito.

### Montaggio della finestra doppia e porta doppia:

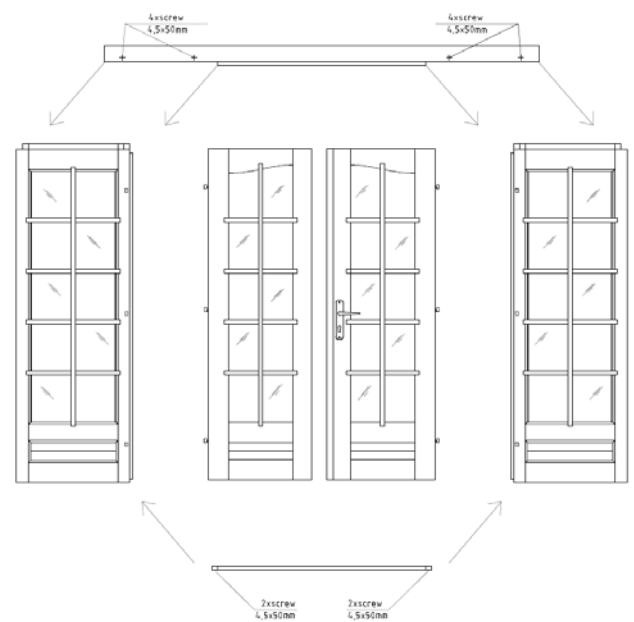
#### Ventana:



#### Puerta ver. 1 (PAY44-4242)::



#### Puerta ver. 2 (PAY44-5742):



# Istruzioni di montaggio – Italiano

## Montaggio della porta:

Dopo che la casa è stata installata, impostare le porte sui cardini. Installare le serrature, maniglie e centro sulla porta. Se necessario, regolare la porta coi cardini. Pulire i vetri della porta e installare le strisce decorative (barre delle porte) con viti che sono incluse nella serie.

## Montaggio delle finestre:

Le finestre sono installate allo stesso modo delle porte. Ancora, l'installazione dei fissatori della finestra è necessaria.

**AVVERTENZA:** Per le finestre e le porte, rispettare assolutamente la direzione di montaggio. Le porte si aprono sempre dal vano interno della casetta **verso l'esterno**. Le finestre sospese e girevoli si aprono **verso l'esterno** (le maniglie delle finestre sono all'interno della casetta).

**IMPORTANTE:** Non è necessario fissare la porta e le finestre alle tavole della parete. Se desiderate, fissateli con una o due viti nella parte inferiore del telaio in modo che le tavole della parete possano assestarsi durante l'asciugatura.

La registrazione definitiva della porta deve avvenire solo dopo ca. 2 - 3 settimane, quando il legno si è adattato al clima e le tavole della parete si sono assestate.

## Tetto

Prima dell'installazione del tetto accertarsi che la casa sia livellata. Controllare le pareti con la livella. Il componente 151 dovrebbe essere fissato alle pareti con viti da 5x90 mm come mostrato sulla figura. Se si ha il componente di fissaggio PAY44-5742 nr. 151 e 152 (per viti da 5x90 mm) sulle pareti, come mostrato in figura.

La prima fase dell'installazione del tetto è di avvitare entrambi i lati (triangolare) (sinistro e destro) usando viti da 5x90 mm. Poi ci sono componenti del tetto da 8 (PAY44-4242). In caso di PAY44-5742 si avranno 6 dettagli di tetto triangolari e 4 trapezoidi.

**ATTENZIONE:** Fissare sul tetto prima di installare il tetto sul padiglione in giardino.

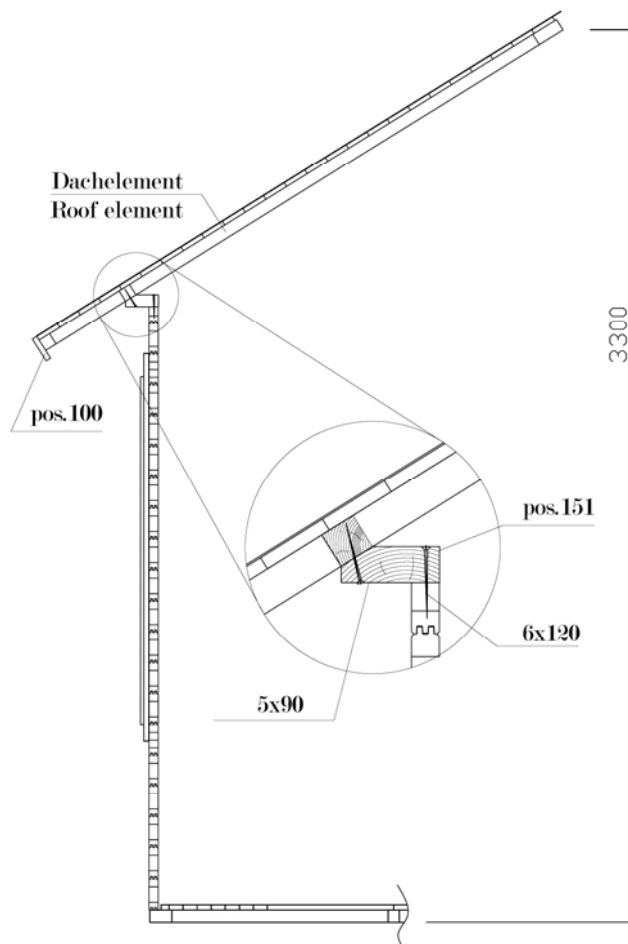
Per l'installazione dei componenti del tetto sono necessarie 2 parti da 3.60 m di travi lunghe. L'installazione del componente richiede l'aiuto di almeno altre 2 persone.

Impostare il componente sulla cornice, come mostrato sulla figura, fissare con viti da 5x90. In caso di PAY44-5742, iniziare l'installazione dal pezzo triangolare al centro. La cornice dovrebbe essere trapanata prima di fissare con  $\varnothing$  5 mm.

Il componente successivo dovrebbe essere installato allo stesso modo. Quando si installa il secondo componente, accertarsi che l'alto e il basso siano uguali.

Se il secondo componente è stato fissato sulla cornice, i componenti vite avvitati con viti da 5x90. Il componente installato deve essere trapanato prima con  $\varnothing$  5 mm. Questo facilita il processo di fissaggio ed assicura l'adattamento.

Il resto dei componenti dovrebbe essere installato allo stesso modo.



## Istruzioni di montaggio – Italiano

Solitamente, l'installazione dell'ultimo componente è la più difficile. Se durante l'installazione dell'ultimo componente c'è un divario tra i componenti, quelli precedentemente installati saranno rilasciati dalla cornice e spinti in alto. Dopo che i componenti sono stati impostati in adatta condizione, devono essere fissati alla cornice con viti da 5x90 mm. Se, al contrario, l'ultimo componente non si adatta tra quelli installati, i componenti dovrebbero essere spostati sotto.

In caso di PAY44-5742, il dettaglio aggiuntivo dovrebbe essere installato usando viti da 6x120 (10 pezzi).

Infine, un cono a tetto dovrebbe essere installato (se incluso con kit).

### Installazione di strisce

Cinque strisce nr 100 (PAY44-5742 nr 100 e nr 101) per componenti da 4,50x50. Idealmente, le strisce finali superiori dovrebbero essere sulla stessa linea del lato superiore del tetto. Se dovesse accadere che le estremità del cerchio delle strisce non si soddisfano (controllare, se la lunghezza delle strisce corrispondenti alle specifiche), è possibile avvitarle un po' in basso. Se, al contrario, l'ultima striscia non si adatta, tutte le strisce dovrebbero essere installate più in alto.

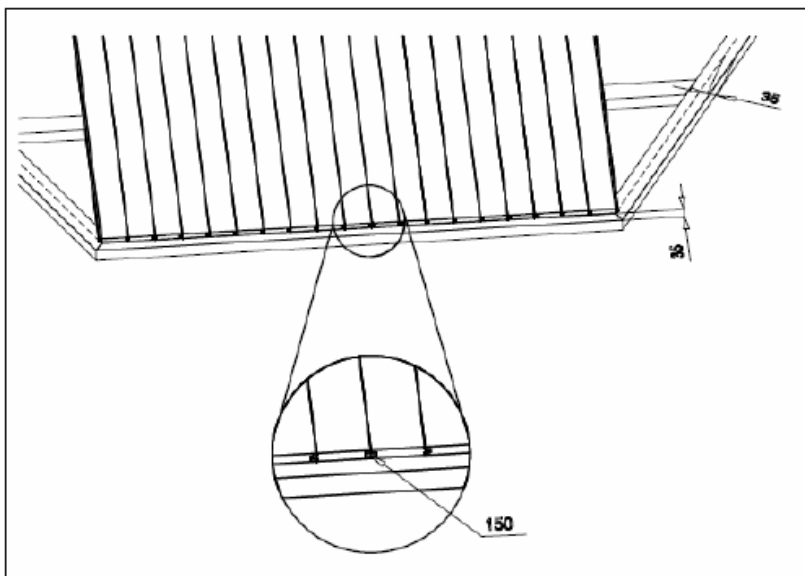
## Pavimento

Iniziare l'installazione del pavimento con tavole da 90° nel mezzo (pos. 061).

Lasciare un divario di 0,5-0,7 mm tra le tavole. Questo è necessario per compensare l'espansione delle tavole del pavimento.

Le pedane centrali dovrebbero essere impostate con scanalature rivolte l'una contro l'altra, le strisce saranno poste a tre (pos. 150).

Se le pedane più lunghe al centro sono state installate, le tavole angolate vanno installate su entrambi i lati simmetricamente. Un divario di circa 0,5-0,7 mm dovrebbe essere lasciato. In fine, la tavola più corta deve essere tagliata in giusta dimensione.



Le pedane devono essere fissate usando 2,5x50 su ogni base. Se necessario, le travi possono essere fissate sul lato superiore della rotella; in quel caso la saldatura non sarà visibile sul pavimento.

### Installazione di strisce pavimento

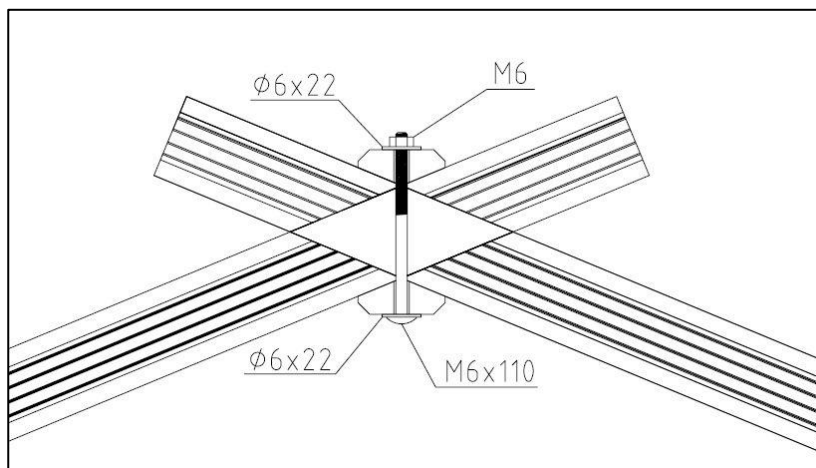
Le strisce devono essere tagliate in giusta dimensione e fissate a 1,4x40 mm.



### Listelli antivento

Le strisce istallate negli angoli e su entrambi i lati della parete. Fissate con bulloni da 6x110, vite e rondella.

Sollevarre l'estremità superiore della striscia (aperture rotonda) con la tavola superiore della parete e un trapano di Ø 6 mm attraverso il muro. Fissare le strisce su entrambe le pareti. Trapanare i fori verso il basso, al centro dei fori in strisce agli angoli. Fissare le strisce con bulloni anche.



**CONSIGLIO:** non avvitare in modo troppo stretto per consentire che il legno si allarghi/restringa.

Se tutto è apposto, regolare gli stringimenti in modo che le pareti siano a posto.

### Consigli:

**Problema:** *Formazione di fessure tra le tavole*

Causa: Sulle pareti sono stati applicati particolari che impediscono il movimento del legno.

Rimedio: Se finestra/porta sono fissate alle tavole da parete con viti/chiodi, eliminarli;

Se i listelli antivento sono avvitati alle tavole in modo troppo rigido, montarli in modo flessibile;

Se alla parete è montata una conduttura (acqua), montare i fissaggi in modo più flessibile;

**Problema:** *Finestre e porte si bloccano*

Causa: La casetta/le fondamenta si è/sono abbassata/e

Rimedio: Controllare che la casa sia a livello. Riportare travetti e pareti in posizione orizzontale.

Causa: Finestre e porte si sono gonfiate a causa dell'umidità

Rimedio: Registrare le cerniere di porte e finestre; se necessario, rimpiccolire porta/finestra con la pialla



**Vi auguriamo successo nel montaggio della casa e speriamo che la godrete per molti anni!**

## 1 Generell informasjon



**Kjære kunde,**

Vi er glade for at du bestemte deg for lysthuset vårt!

**Les monteringsveiledningen nøye før du setter i gang med monteringen!** Da unngår du problemer og kaster ikke bort tid.

### **Anbefalinger:**

- Oppbevar pakken med delene på et tørt sted til du har satt den opp ferdig. Pakken må beskyttes fra vær (fuktighet, sol osv.) og bør ikke være i direkte bakkekontakt under lagring. Ikke oppbevar pakken i et oppvarmet rom!
- Når du velger et sted å sette opp lysthuset, må du sørge for at byggverket ikke blir utsatt for ekstreme værforhold (mye snø eller vind); ellers må du feste lysthuset (med for eksempel anker) til underlaget.



### **Garanti**

Lysthuset ditt er laget av høykvalitetsgran og leveres i naturlig (ubehandlet) materiale (unntatt fundamentsbjelkene). Skulle du på tross av vår grundige inspisering ha klager, må du sende inn utfylt kontrollskjema og kjøpsfaktura til produktselgeren.

**MERK: Ta vare på inspeksjonssertifikatet! Kontrollskjemaet inneholder kontrollnummeret til lysthuset. Vi kan bare behandle klager dersom du sender inn kontrollnummeret på lysthuset til selgeren!**

### Garantien dekker ikke:

- Særlige egenskaper tre har som naturmateriale
- Tredeler som allerede er malt (behandlet med trebeskyttelsesmiddel)
- Tredeler med kvister som ikke truer stabiliteten til lysthuset.
- Fargetonevariasjon forårsaket av forskjeller i trestrukturen som ikke innvirker på levetiden til treet
- Tredeler med små tørkesprekker som ikke er gjennomgående.
- Vridde tredeler dersom de uansett kan monteres.
- Tak- og golvplanker som kan ha uhøvlede områder, fargeavvik og små skader på siden som ikke er synlig.
- Klager grunnet ukyndig oppsetting av lysthuset eller at lysthuset synker grunnet for svakt fundament.
- Klager grunnet egne endringer på lysthuset, slik som deformering av tredeler og dører/vinduer grunnet ukyndig montering, for fast festing av stormstag, dørkarmer som blir skrudd fast til veggstokker osv.

**Klager som dekkes av garantien blir oppfylt ved at manglende/mangelfullt materiale erstattes. Alle andre krav er utelukket.**



## Maling og vedlikehold av hagehuset

Tre er et naturmateriale som vokser og tilpasser seg værforholdene. Store og små sprekker, fargetonevariasjon og -endringer, i tillegg til endrende trestruktur er ikke feil, men et resultat av treveksten og særegenheter ved treet som naturmateriale.

Ubehandlet tre (unntatt fundamenteringsbjelkene) blir gråaktig etter å ha stått urørt en stund, og kan bli blått og mugne. For å beskytte tredelene til lysthuset må du straks behandle dem med trebeskyttelsesmiddel.

Vi anbefaler at du dekker gulvplankene på forhånd med et fargeløst treimpregneringsmiddel, særlig undersiden av plankene, der du ikke lenger får tilgang når bygget er oppsatt. Bare dette kan forhindre at fuktighet trenger inn.

Vi anbefaler absolutt at du også behandler dører og vinduer med et treimpregneringsmiddel, både på innsiden og utsiden! Ellers kan dører og vinduer bli skjeve.

Etter at lysthuset er ferdig oppsatt, anbefaler vi til slutt en værbeskyttende maling som beskytter treet fra fuktighet og UV-stråling.

Når du maler må du bruke verktøy og maling av høy kvalitet, følge bruksanvisningen for malingen og produsentens sikkerhetsinstruksjoner. Mal aldri en overflate i sterkt solskinn eller regnvær. Rådfør deg med spesialist om maling som passer til ubehandlet gran, og følg instruksjonene fra malingsprodusenten.

Riktig malt vil levetiden til lysthuset øke betraktelig. Vi anbefaler deg å kontrollere nøye hver sjette måned.

## 2 Forberedelse til oppsetting

### Verktøy og forberedelse av delene

Når du skal sette opp lysthuset trenger du disse verktøyene:



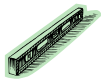
Monteringsveiledningen



Stige



Hammer



Vater



Skrutrekker



Sag



Kniv



Målestokk



Tang



Drill

**TIPS:** For å unngå fliser anbefaler vi deg å bruke vernehansker under oppsettingen.

## Fundament

Et godt fundament er det viktigste når det gjelder å sikre et varig og stabilt lysthus. Bare et helt jevnt og bærende fundament kan garantere problemfri oppsetting og stabilitet, samt særlig at dørene passer. Med et godt fundament vil lysthuset stå i mange år ekstra.

Lag fundamentet slik at overkanten stikker minst 5 cm opp fra bakken. Samtidig må du sørge for at det er nok luftehull til ventilering under gulvet i lysthuset.

Vi anbefaler følgende fundamentmuligheter:

- Stripe- eller punktfundament
- Fundament av betong- eller steinheller
- Støpt betongfundament

Forbered fundamentet slik at det finnes en stein under alle knytoppunkter og at alle detaljene av grunnrammen er støttet med max. 60 cm skritt.

Rådfør deg med en ekspert på området, eller få spesialister til å lage fundamentet.

## Delekontroll

Før oppsettingen må du kontrollere innholdet i pakken. Ved hjelp av delelisten (vedlagt i denne monteringsveiledningen) ser du etter at alle delene som er opplistet er med i pakken.

### MERK:

- I pakken finner du én ekstra stakk (lengste veggstakk).
- I pakken finner du én ekstra planke (lengste gulvplanke).
- I pakken er det også 2–3 merkede slagtre (ca. 20–30 cm lang veggprofil).

Alle delene opplistet ovenfor **ER IKKE** nevnt i delelisten.

## 3 Montasje av hagepaviljongen

### Forberedelse av detaljer:

Sorter detaljene etter posisjonens sifrer, slik er det enklere å finne nødvendige detaljer under montasjen.

**OBS:** Plasser aldri detaljer direkte på plenen eller gjørmet felt, fordi det blir meget vanskelig eller umulig å rengjøre senere.

### Grunnrammen (Fundamentsbjelker)

Husets grunnramme skal være jevn og loddet, for å garantere problemfri montasje. Plasser impregnerte fundamentsbjelkene på det forberedte fundamentet som vist på skjema. Sjekk at bjelkene står i lodd og i rett vinkel før du fester de med 6x120 mm skruer. Detaljen som skal festes skal først gjennombores med Ø 5 mm bor. Kontroller at den festede grunnrammens dimensjoner passer til det som er angitt på skjemaet. (**OBS!** Grunnrammen kan endre seg +/- 5 mm pga. forminsking/trutning ved transportering. Dette hindrer ikke montasjen.)

**TIPS:** Vi anbefaler bruken av fuktighetsisolasjon mellom fundamentet og grunnrammebjelkene for å beskytte huset for fuktighet og ødeleggelse.

**TIPS:** Vi anbefaler at grunnrammebjelkene skal festes til fundamentet for å beskytte fra vind- og stormskader (bruk t. eks. metallvinkler, ankerfeste- hører ikke til settet).

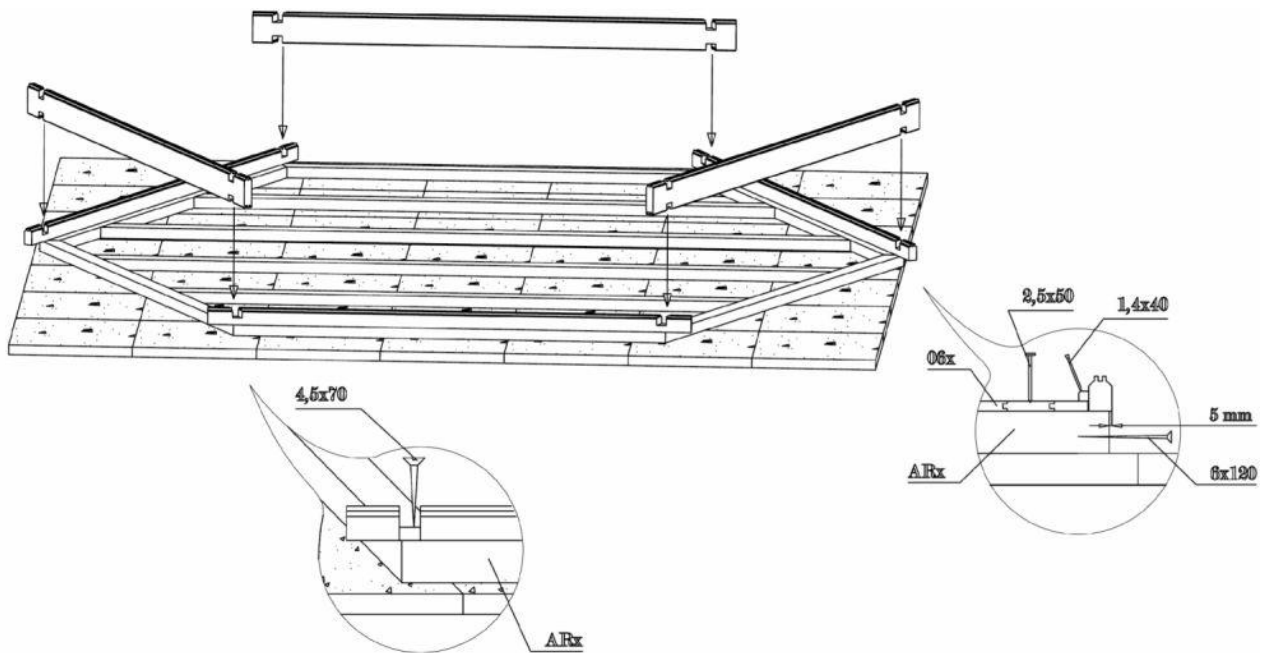
## Veggene

Det er viktig å vite ved montasje av veggene:

- detaljene skal alltid monteres med pluggsiden øverst
- bruk en trebrikke og hammer om nødvendig! Hamre aldri direkte på pluggen!

Monter veggene i hht. vedlagte veggplaner (se Tekniske oppgifter).

### Første detaljrunde



Plasser første runden av detaljer på grunnrammen som vist på skjema (veksle mellom detaljer med full høyde og halve). Pass på at første detaljrunden skal dekke over fundamentbjelkene ca. 5 mm. Dette er viktig for at regnvannet skal kunne gå fritt til bakken og ikke gi fuktighetsskader til huset.

Fjern forsiktig veggdetaljer med full høyde (114 mm). Fest halve detaljer til grunnrammen gjennom pluggstedene med 4,5x70 mm skruer som vist på skjema. Legg tilbake full-høyde detaljene.

**VIKTIG:** sjekk at grunnrammens dimensjoner passer til det som er angitt på skjemaet.

Fortsett med montasje av veggene ved å feste detaljene sterkt til hverandre. Bruk en trebrikke og hammer om nødvendig. Husk også å starte montasjen av dører og vinduer. Dørmontasjen skal begynnes senest etter 5.- 6. montasjerunde.

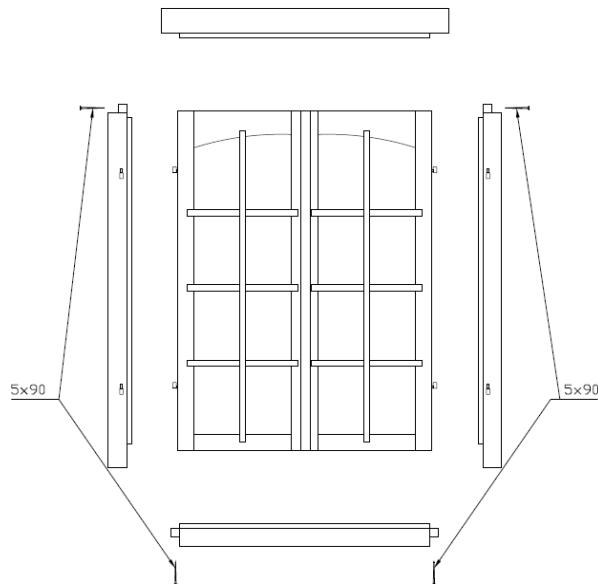
## Dør og vindu

### Dør- og vindusramme:

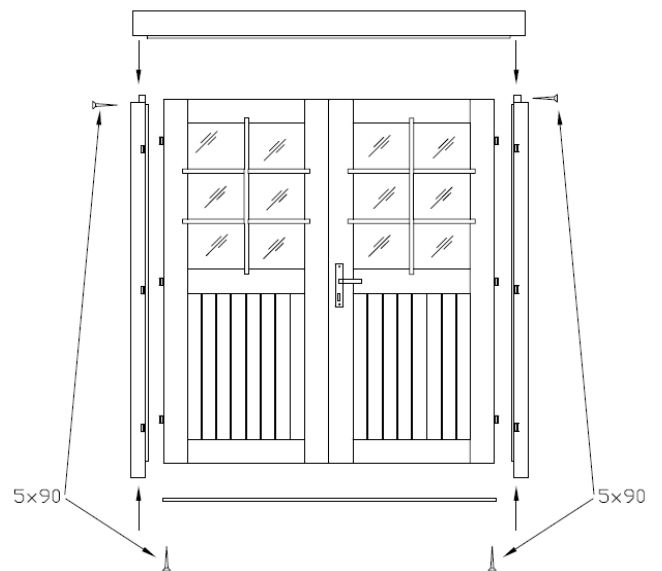
- Dersom huset har 2-delt dør transporteres dørrammen i deler og skal monteres først.
- Sett sammen alle 4 deler og fest (5x90 mm skruer) til hverandre.
- Rammedelen med dypest innskjæring skal plasseres øverst. Sidene av grepene har hengsele og står i speilbilde.
- Dør- og vindusblad anbefales sette på plass senere.

### Montasje av dør- og vindusramme:

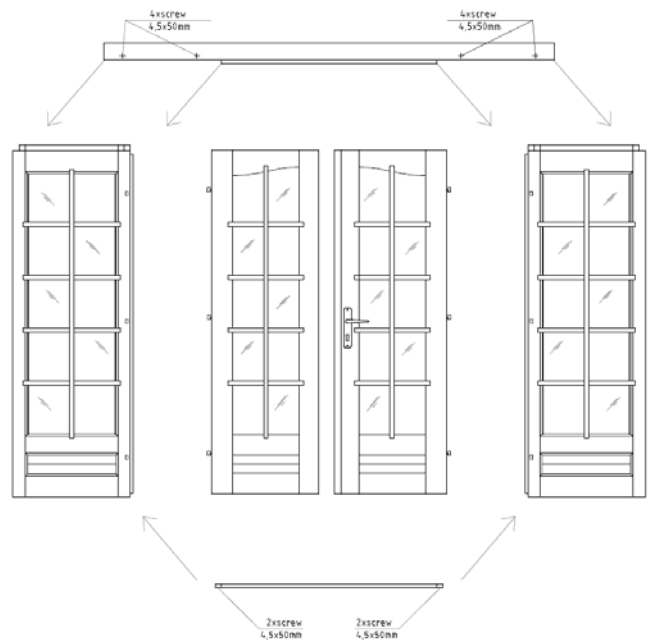
#### Vindu:



#### Dør ver. 1. (PAY44-4242):



#### Dør ver. 2. (PAY44-5742):



# Monteringsveiledning – Norsk

## Montasje av døren:

Etter at huset står ferdig sett dørblad på hengsele. Sett på plass låsdekke, håndtak og låskjerne. Juster døren fra hengsele dersom det trengs. Rens dørklass og fest på sin plass pyntelistene (gitteret) med skruene som finns i settet.

## Montasje av vinduet:

Vinduet skal monteres på samme prinsipp som døren. I tillegg skal det festes vindushaspene.

**TIPS:** Det er viktig å huske at dørene åpner alltid **utover**. Paviljongens vinduer åpner også **utover** (håndtaket på innsiden).

**TIPS:** Det er ikke nødvendig å feste vindu og dør til veggdetaljene. Hvis du likevel ønsker det kan du feste kun nedenfra med ett par skruer. Veggdetaljene forminskes ved tørking og veggen senker.

Vinduer og dører kan endelig justeres ette 2-3 uker når huset har vennet seg til klimaet og detaljenet har sunket.

## Tak

Sjekk at huset står loddrett før montasjen av tak. Kontroller alle veggene med vaterpass. Detalj no 151 festes til veggene med 5x90 mm skruer som vist på skjema. I tilfelle du har paviljong modell PAY44-5742 fest detaljene no. 151 og no. 152 (med 5x90 mm skruer) til veggene som vist på skjema.

Første trinnen av takmontasje er å skru tilsammen takets begge (trekantede) sidene (venstre og høyre), bruk 5x90 mm skruer. På denne visen oppstår 8 (paviljong PAY44-4242) trekantede takdetaljer. Det oppstår 6 trekantede og 4 trapesformede detaljer hvis du har paviljong PAY44-5742.

**OBS!** Taksponeene festes til takdetaljene før du fester taket på paviljongen.

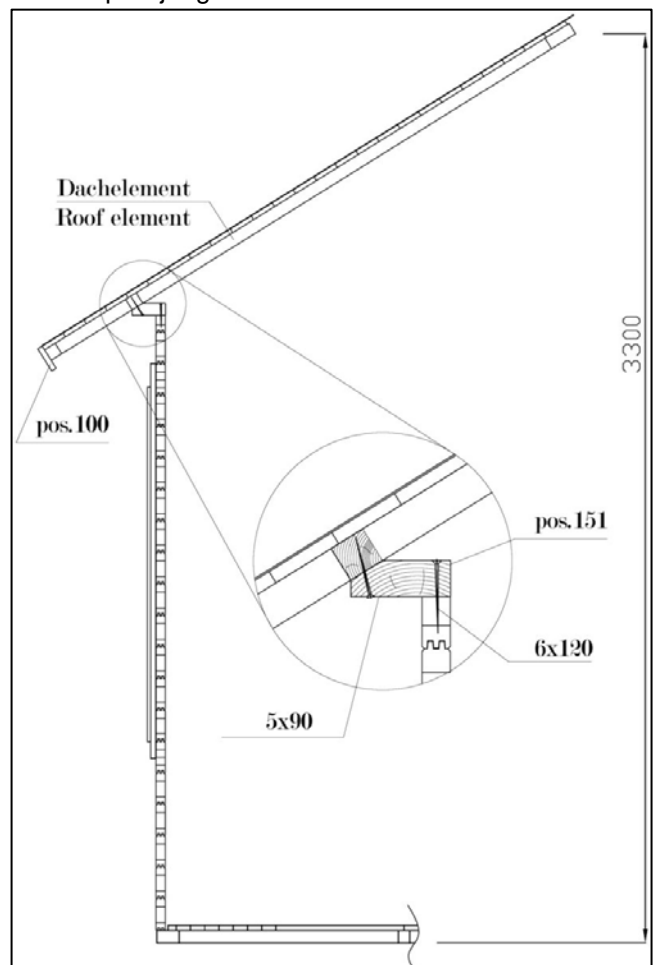
Det trengs 2 st. 3,60 m planker eller bjelker for takmontasjen. Minst 2 personer må hjelpe til med montasje av elementene.

Elementet skal plasseres på taklisten som vist på skjema, festes med 5x90 mm skruer. Hos paviljongen PAY44-5742 start fra den midterste endetrekanten. Taklisten skal først ferdigbores med Ø 5 mm bor.

Neste elementet skal monteres på samme måte. Kontroller at elementenes nederste og øverste detaljer pløyer.

Etter du har festet det andre elementet, skru sammen begge elementene med 5x90 mm skruer. Elementet som skal festes må først gjennombores med Ø 5 mm bor. Dette forenkler montasjen og gir sterkere forbindelse.

Resten av elementene skal monteres i likhet til de første.



Vanligvis er det vanskeligst å montere siste elementet. Hvis ved montasjen av siste elementet oppstår en åpning mellom elementene slik at de ikke pløyer, kan du forsiktig demontere andre elementene fra taklisten og dytte dem litt oppover. Fest med 5x90 mm skruer etter du har funnet nytt sted som passer. I motsatt tilfelle når siste elementet ikke passer mellom de andre, må du flytte resten av detaljene litt nedover.

## Monteringsveiledning – Norsk

Monter også detaljen no. 160 dersom du har paviljong PAY44-5742, bruk 6x120 mm skruer (10 st.).

Til sist monter takkjeglen (hvis det finns i settet).

### Montasje av takskjeggsglistene

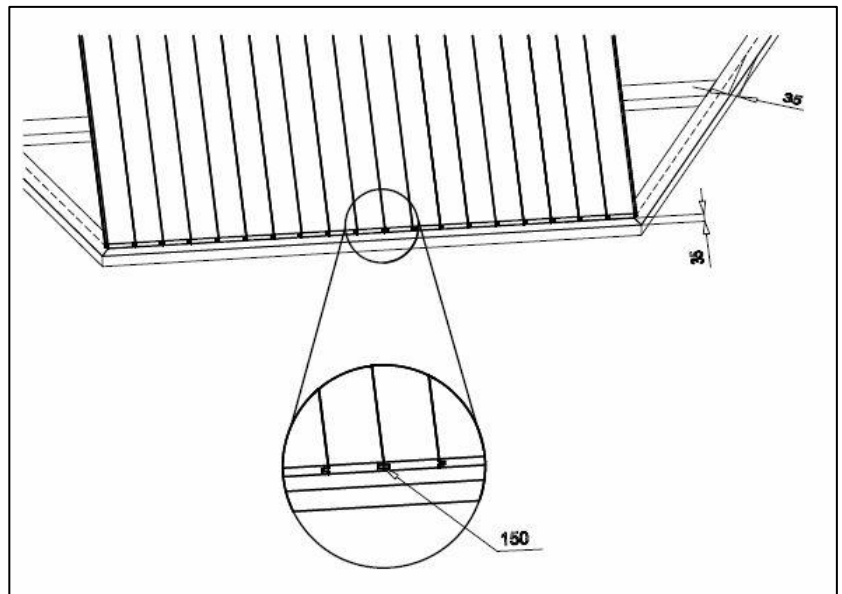
Fest takskjeggsglistene no. 100 (paviljong PAY44-5742 no. 100 og no. 101) til takelementene med 4,5x50 mm skruer. Ideelt skal takskjeggsglistenes øvrekant være på samme linje med takplankens øvrekant. I tilfelle listene ikke dekker hele runden (sjekk om lengden er korrekt i hht. spesifikasjon), kan du skru listene litt nedover. I motsatt tilfelle når dt ikke finns plass til listene skal du skru litt oppover.

### **Gulv**

Start montasjen av gulv med lange 90° planker i midten (pos. 061). Legg plankene med mellomrom 0,5- 0,7 cm. Dette er viktig for å kompensere trutning av planker.

Gulvplankene som står i midten skal plasseres med notsiden mot hverandre og mellomrommet dekkes med en liste (pos. 150).

Etter de midterste lengste plankene står på plass monter symmetrisk på begge sidene de rettvinklede gulvplankene. Også her skal plankene legges med mellomrom 0,5-0,7 mm. Siste og korteste planken må justeres til korrekt bredde.



Gulvplankene festes med 2,5x50 mm spikere overfor hver grunnramme. Plankene kan også spikres fra overkanten av pluggen, slik at spikerhodene synes ikke.

### Montasje av gulvlist

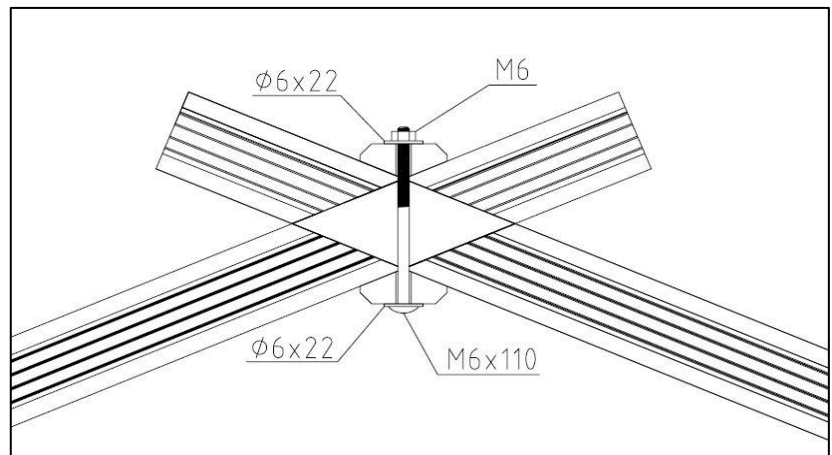
Gulvlistene skal skjæres til korrekt lengde og festes med 1,4x40 mm listespikere.



## Stormlister

Listene plasseres i paviljongens hjørner og på begge sidene av veggen. Fest med 6x110 mm bolt, mellomlegg og mutter.

Listens topp (med rund hull) plasseres på linje med veggens øverste plank og bores Ø 6 mm hull gjennom veggen. Fest listene på begge sidene av veggen. Bor 2 hull nedenfor, i midten av hjørnelistenes ovale hull. Fest listene også der med bolt.



**TIPS:** Skru ikke bolter altfor fast, slik at treet har rom å forminske/trutne. Juster etter paviljongen har sunket på plass.

## Generelle tips:

**Problem:** *Det oppstår sprekker mellom veggstokkene*

Årsak: Det er festet ytterligere deler til lysthuset som ikke lar treet svulle/krympe.

Løsninger: Dersom dør/vindu er festet til veggstokker med skruer/spiker, må disse skruene/spikrene fjernes;

Dersom stormstaget er skrudd til for fast, må det løsnes;

Dersom det er montert takrenner på veggen, må festene løsnes;

**Problem:** *Dører og vinduer setter seg fast.*

Årsak: Lysthuset/fundamentet har satt seg.

Løsning: Kontroller om lysthuset er vannrett. Rett opp fundamentsbjelkene og veggene.

Årsak: Dørene og vinduene har svellet på grunn av fuktighet.

Løsning: Justér hengslene på dører og vinduer; høvle om nødvendig dører og vinduer smalere.



**Vi ønsker deg lykke til med oppsettingen og mye glede med lysthuset i mange år framover!**

## 1 Allmän information



**Bäste kund,**

Vi är glada för att du valt att skaffa ett trädgårdshus från oss!

**Vänligen läs monteringsanvisningarna noggrant innan du påbörjar monteringen av huset!** Du undviker därigenom problem och spillar ingen tid.

### Rekommendationer:

- Förvara husets förpackning, tills det är färdigmonterat, på en torr plats, men inte i direkt kontakt med marken, skyddad från väder och vind (fukt, solljus, etc.). Förvara inte husets förpackning i ett uppvärmt utrymme!
- När du väljer plats för trädgårdshuset, försäkra dig om att huset inte utsätts för extrema väderförhållanden (områden med kraftigt snöfall eller vindar); i så fall bör du förankra huset (till exempel med jordankare) i marken.



### Garanti

Ditt hus är tillverkat av gran av hög kvalitet och levereras i naturlig (obehandlad) form. Om du, trots vår noggranna besiktning, skulle ha några reklamationer, vänligen skicka den ifyllda kontrollblanketten och inköpsbeviset till vår återförsäljare.

**SE UPP! Vänligen se till att behålla dokumentationen tillsammans med husets förpackning! Kontrollblanketten innehåller husets kontrollnummer. Vi kan enbart granska reklamationer om du skickar med husets kontrollnummer till återförsäljaren!**

### Garantin omfattar inte:

- Egenheter för trä som ett naturmaterial.
- Redan målade trädetaljer (behandlade med träskyddsmedel)
- Trädetaljer som innehåller hela kvistar som inte äventyrar husets stabilitet
- Variationer i färgton orsakade av olikheter i träets struktur som inte påverkar träets livslängd
- Trädetaljer som innehåller mindre sprickor/spalter (orsakade av torkning) som inte är genomgående och inte påverkar husets konstruktion
- Skeva trädetaljer som ändå går att montera
- Tak och golvbrädor som på sina dolda ytor kan ha vissa ohyvlade områden, färgskiftningar och - mattning
- Reklamationer på grund av oskicklig montering av huset eller sättningskador på grund av en felaktigt uppförd grund
- Reklamationer orsakade av egna ändringar av huset, så som deformation av trädetaljer och dörrar/fönster på grund av ett oskickligt tillvägagångssätt vid montering av trädetaljer; fastsättning av stormbeslag för styvt, dörrkarmar som skruvas i väggreglar, mm.

**Reklamationer som omfattas av garantin tillgodoses i den omfattningen att det bristfälliga/felaktiga materialet ersätts. Alla andra anspråk lämnas utan åtgärd!**



## Målning och underhåll av trädgårdshus

Trä är ett naturmaterial som växer och anpassar sig efter väderförhållanden. Större och mindre sprickor, förändringar och skiftningar i färgton, samt även förändringar i träets struktur är inte felaktigheter, utan ett resultat av träets tillväxt och egenheter för trä som ett naturmaterial.

Obehandlat trä (undantaget grundsyllar) blir gråaktiga efter att ha lämnats orörda ett tag, de kan bli blå och börja mögla. För att skydda trädetaljer på ditt trädgårdshus måste du omedelbart behandla dem med träskyddsmedel.

Vi rekommenderar att du i förväg täcker golvbrädorna med ett färglöst träimpregneringsmedel, i synnerhet brädornas undersidor vilka du senare inte kommer åt när huset väl är monterat. Endast detta förebygger fuktinträning.

Vi rekommenderar definitivt att du även behandlar dörrar och fönster med ett bra impregneringsmedel och gör det både på in- och utsidan! Annars kan dörrar och fönster bli skeva.

Efter att huset är färdigmonterat, rekommenderar vi att slutbehandla det med en väderbeständig färg som skyddar träet från fukt och UV-strålning.

Använd redskap och färg av bra kvalitet vid målningen, följ användaranvisningen för färgen samt tillverkarens säkerhets- och användarinstruktioner. Måla aldrig en yta i starkt solljus eller vid regnväder. Rådgör med en specialist om färger som lämpar sig för obehandlat barrträ och följ färgtillverkarens anvisningar.

Husets livslängd förlängs avsevärt om det målas på rätt sätt. Vi rekommenderar att du besiktigar huset noggrant var sjätte månad.

## 2 Monteringsförberedelser

### Verktyg och förberedelse av komponenter

För att montera trädgårdshuset behöver du följande verktyg:



monteringshjälp



stege



hammare



vattenpass



skruvmejsel



såg



kniv



måttband



tång



borr

**RÅD:** För att undvika att få stickor, rekommenderar vi att du använder arbetshandskar under monteringen.



**Vi önskar dig lycka till med monteringen av trädgårdshuset och mycket glädje i många år framåt!**

## Grund

En bra grund är den viktigaste aspekten för att garantera din paviljons varaktig och säkerhet. Endast en helt vågrät och bärande grund kan säkerställa en problemfri montering av paviljongen, dess stabilitet och i synnerhet inpassningen av dörrarna. Med en bra grund står din paviljong i många år.

Färdigställ grunden så att dess övre kant är minst 5 cm ovanför markytan. Se samtidigt till att det finns tillräckliga ventilationsöppningar under paviljongens golv.

Vi rekommenderar följande grundalternativ:

- Grundläggning på plattor eller plintar
- Grundläggning av betong- eller marksten
- Gjutet betongfundament

Färdigställ grunden så att grundsyllarna och varje knutpunkt stötts på varje sida med en intervall som inte överskrider 50-60 cm.

Konsultera en expert på området eller låt den färdigställas av en specialist.

## Kontroll av delar

Innan hopsättning, var god kontrollera innehållet i paketet. Med hjälp av packlistan (ingår i denna monteringsanvisning), försäkra dig om att alla delar som är upptagna på packlistan finns med i paketet.

### OBS:

- I paviljongpaketet hittar du en extra längd bräda (längsta väggbrädan).
- I paviljongpaketet hittar du en extra bräda (längsta golvbrädan).
- I paviljongpaketet hittar du även 2-3 märkta slagklossar (väggprofil ungefär 20-30 cm lång).

Detaljerna förtecknade ovan **ÄR INTE** upptagna på specifikationen.

## 3 Montering av trädgårdspaviljongen

### Förberedelse av komponenter:

Sortera komponenterna grundat på positionsnummer för att göra det enklare att hitta rätt del under montering av paviljongen.

**OBS:** Placera aldrig några komponenter direkt på gräs eller leriga underlag eftersom det blir mycket svårt eller till och med omöjligt att rengöra dem senare!

### Fundament

Paviljongens fundament måste vara fullständigt plant och i våg för att säkerställa att monteringen sker utan problem. Placera de impregnerade grundsyllarna på den förberedda grunden i enlighet med ritningen (se Tekniska specifikationer) och skruva ihop dem med 6x120 mm skruvar. Försäkra dig om att fundamentet har samma mått som på ritningen. (OBS! Fundamentet kan avvika +/- 5 mm i storlek på grund av svällning/krympning av träet under transporten. Detta påverkar inte monteringen av paviljongen.)

**RÅD:** Det rekommenderas att placera ett fukt säkert skikt mellan grundsyllarna och grunden som skyddar paviljongen från fukt och röta.

**RÅD:** För att säkerställa skydd från vind och storm rekommenderas det att fästa grundsyllarna i grunden (använd förslagsvis vinkelbeslag, ankare, mm). Dessa material ingår inte i leveransen!

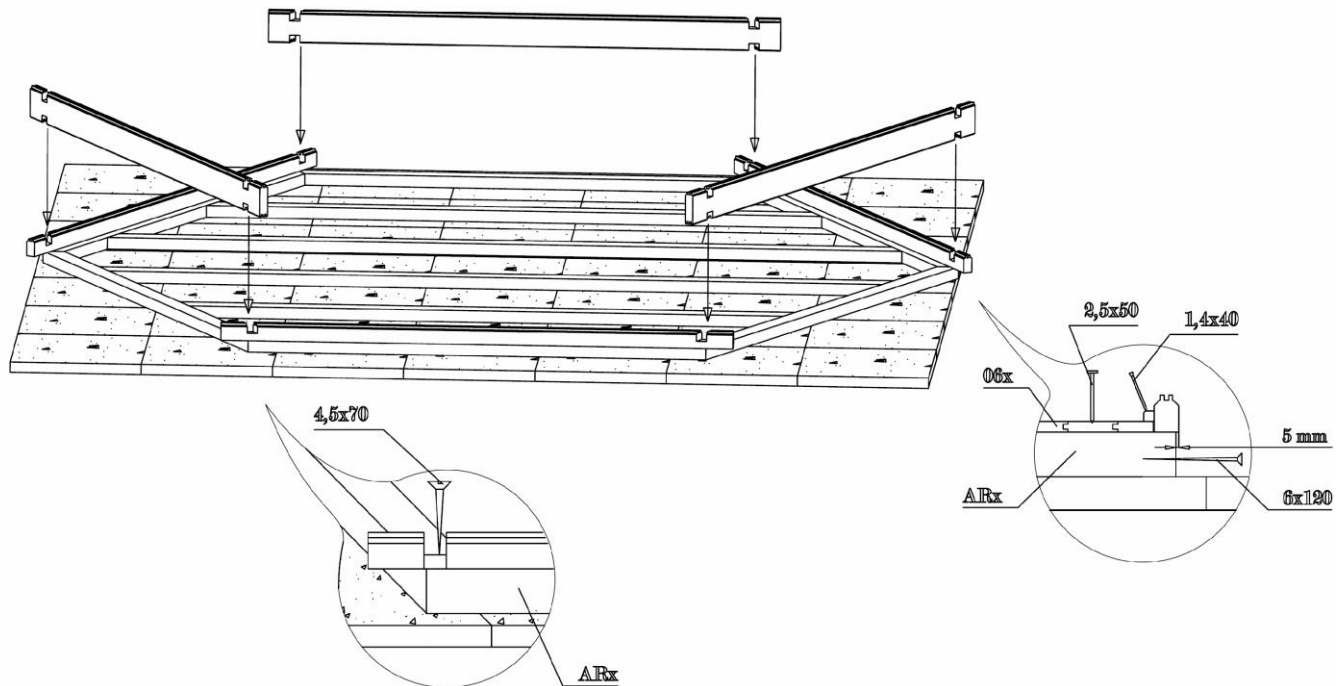
## Väggar

När väggarna monteras är det viktigt att ha detta i åtanke:

- Brädorna monteras alltid med spontens fjäder uppåt!
- Använd slagklossen och hammare om nödvändigt! Slå aldrig direkt på spontens fjäder med hammaren!

Montera väggarna enligt den bifogade väggplanen (se Tekniska specifikationer).

Det första varvet brädor:



Placera det första varvet väggbräder på fundamentet, som det visas på bilden, vilket består av väggbräder och halvbräder som är varvade. Se till att det första varvet bräder sträcker sig ca 5 mm över grundsyllarna. På detta sätt skyddar du trädgårdspaviljongen mot fukt så att regnvatten enkelt kan rinna ned i marken.

Avlägsna nu väggbrädorna varsamt och fäst halvbrädorna med 4,5x70mm skruvar i grunden som det visas på bilden. Sätt tillbaka bräderna på sina platser.

**OBS:** Se till att grundens mått är samma som anges i den Tekniska specifikationen.

Fortsätt monteringen av väggen enligt väggplanen genom att kraftfullt tvinga väggbrädorna i varandra. Använd slagkloss och hammare om nödvändigt. Kom ihåg att på samma gång inleda monteringen av dörren och fönster.

Du ska definitivt påbörja dörrmonteringen efter det 5:e-6:e varvet bräder.

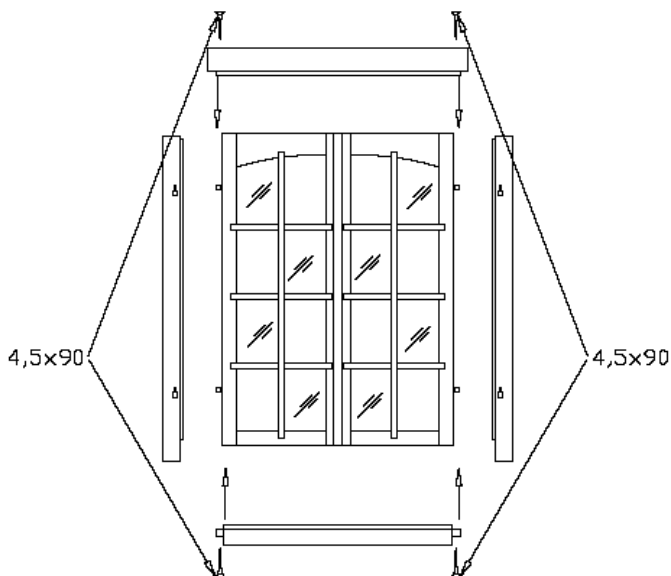
## Dörr och fönster

### Dörr- och fönsterkarm

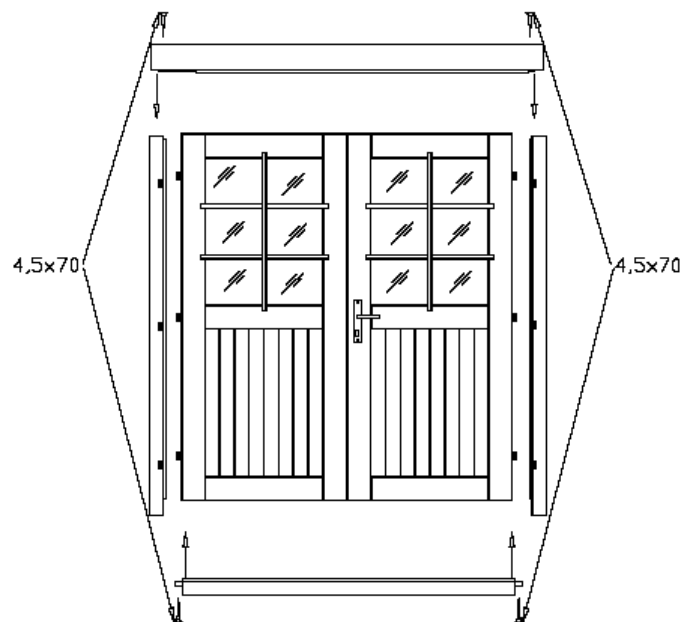
- För dubbeldörrar och dubbelfönster levereras karmarna i separata delar på grund av transportkrav och du måste börja med att montera dessa.
- För att göra detta ska du sätta ihop karmens fyra delar, skruva fast dem i varandra med 5x90 skruvar.
- Försäkra dig om att karmdelen med det djupare spåret monteras uppåt. Karmsidostycken har gångjärn och är spegelvända.
- Det rekommenderas att montera dörr- och fönsterbladen senare.

### Montering av dubbelfönster och dubbeldörr:

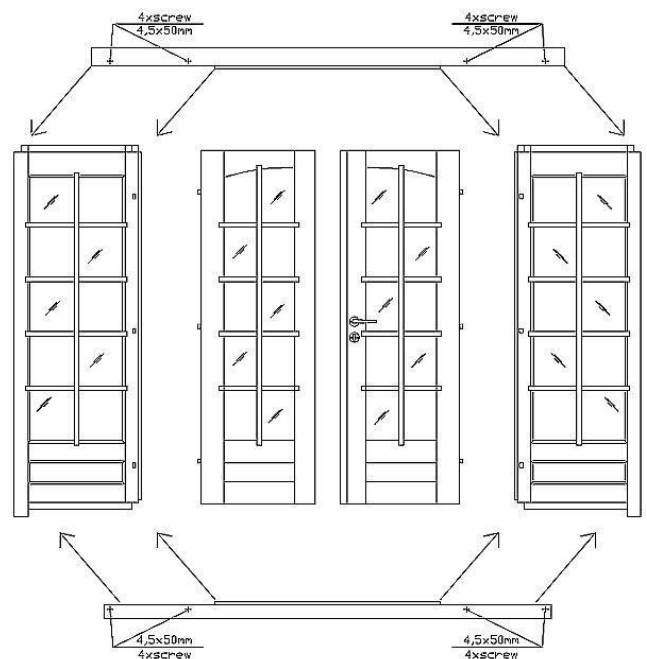
#### Fönster:



#### Dörr ver. 1 (PAY44-4242):



#### Dörr ver. 2 (PAY44-5742):



# Installationsmanual - Svenska

## Dörrmontering:

När paviljongen är monterad, sätt dörrbladen på gångjärnen. Montera de separat paketerade låsen och handtagen för att kunna öppna och stänga dörren. Justera dörren vid gångjärnen om nödvändigt. Gör rent dörrens glas och fäst spröjsen.

## Fönstermontering:

Montera fönstren på samma sätt som dörren. Dessutom måste du montera fönsterstoppen.

**RÅD:** Var helt säker på att fönster och dörrar går att öppna åt rätt håll. Dörrarna öppnas inifrån och ut. Paviljongens fönster öppnas också **utåt** (fönsterhandtagen är på insidan).

**OBS:** Det är inte nödvändigt att fästa dörrar och fönster i väggbrädorna! Om du vill göra så är det tillräckligt att fästa dem med några skruvar i karmens nedre del eftersom allt efter att de torkar börjar väggbrädorna sätta sig.

Du kan endast utföra slutjusteringen av dörrarna och fönstren 2-3 veckor efter att paviljongen monterats då paviljongen har anpassats sig efter väderförhållandena och brädorna har satt sig.

**OBS: Fäst träspröjsen för dörrar och fönster med 3 x 16 mm skruv!**

## Yttertak

Vänligen observera att efter att väggbrädorna är monterade måste alla väggar vara lika höga. Efter att du har försäkrat dig om att väggarna är lika höga ska del pos. 151 skruvas (5x90 mm skruv) fast i väggarna som det visas på ritningen.

För paviljong PAY44-5742 ska du skruva fast del pos. 151 och del pos. 152 (5x90 mm skruv) i väggarna som det visas på ritningen.

Fäst först båda (triangel) halvorna för taket (vänster och höger sida) med 5x90 skruvarna. På detta sätt bildas åtta komponenter i form av trianglar för paviljong PAY44-4242. För paviljong PAY44-5742 får du sex trianglar och fyra trapetsformade takkomponenter.

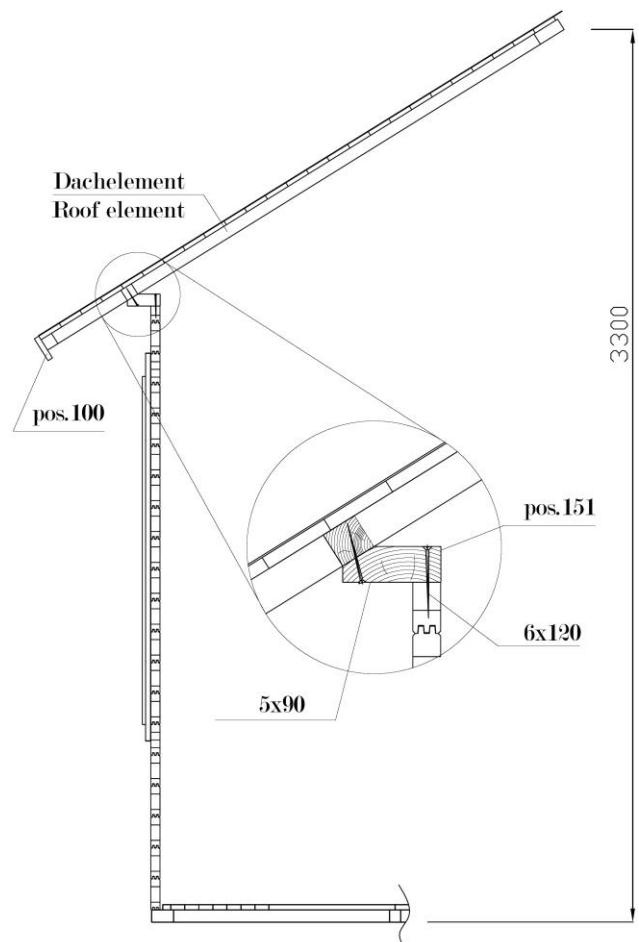
**OBS:** Fäst takshingel (ingår inte i hussatsen) på takelementen innan taket monteras på trädgårdspaviljongen.

Ha några brädor med längd ca 3.60 m redo vid monteringen av paviljongen för att stötta takelementen under monteringen. Två personer krävs för att montera takelementen.

Placera ett takelement på bärregeln och stötta elementets övre del i mitten av trädgårdspaviljongen med hjälp av en bräda. För paviljong PAY44-5742 börja med den mittersta triangelformade takkomponenten.

Fäst takelementet i bärregeln med 5x90 skruvar som det visas på bilden bredvid.

Följande element monteras på exakt samma sätt. När det andra elementet monteras, se till att kanten och takets övre del är på samma höjd som de på det första elementet.



# Installationsmanual - Svenska

---

När det andra elementet är fäst i bärregeln, skruva ihop båda elementen med 5x90 mm skruv. Det rekommenderas att först borra hål så att förbindningen av elementen blir starkare.

Resten av takelementen monteras på samma sätt.

Vanligtvis är monteringen av det sista takelementet mest komplicerad. Om det finns ett gap mellan elementen, skruva loss elementen från väggarna och skjut dem uppåt. Fäst återigen elementen på höger sida med minst fyra 5x90 mm skruvar.

På motsatt sida, om det fortfarande är för lite utrymme för det sista elementet, ska samtliga element skjutas nedåt.

För paviljong PAY44-5742 montera del pos. 160. Fäst den med 6x120 mm skruv (10 stycken).

Slutligen, nocktäckningen av metall måste monteras (OBS! Ingår inte i vissa hussatser!).

## Montering av takfotsbrädor

Fäst takfotsbrädorna pos. 100 (i paviljong PAY44-5742 pos. 100 och pos. 101) mot takelementen med skruvar. Använd 4.5x50 mm skruvar. Idealiskt är om takfotsbrädans övre kant är i samma linje som takbrädans övre kant.

## **Golv**

Börja golvmonteringen från mitten med de längsta, 90° golvbrädorna (pos. 061). Lämna ett mellanrum på 0,5-0,7 mm mellan brädorna. Det behövs för att låta brädorna expandera efter väderförhållandena.

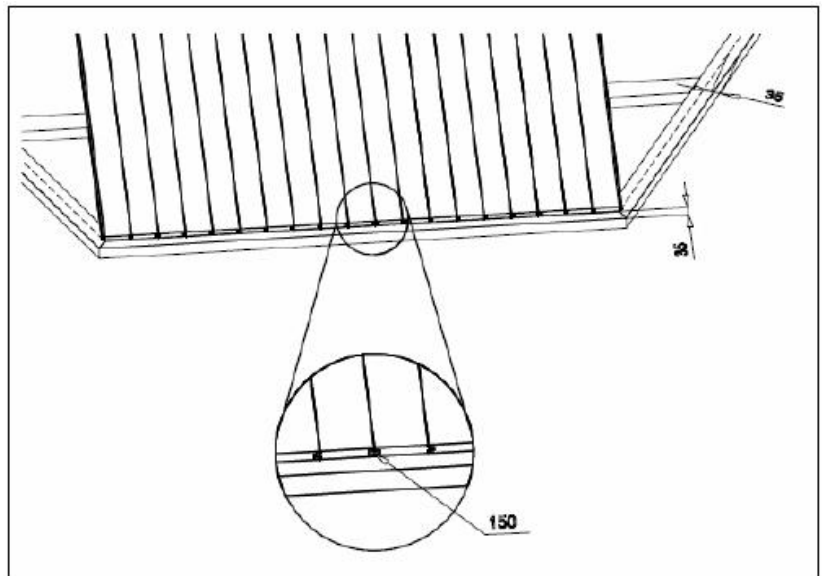
Placera golvbrädorna i mitten av golvet så att spår möter spår. Spår ska fyllas med monteringslistor (pos. 150).

Efter att golvets mittsektion är monterad, fortsätt på golvets sidor med 45° golvbrädor. Glöm inte att lämna ett litet mellanrum på 0,5-0,7 mm mellan brädorna. Den sista och kortaste golvbrädan måste kapas till rätt storlek.

Golvbrädorna ska fästas i varje golvregel med 2,5x50 mm spik.

## Montering av golvlistor

Golvlisterna måste kapas till rätt längder. Fäst golvlisterna med 1,4x40 mm spikar.



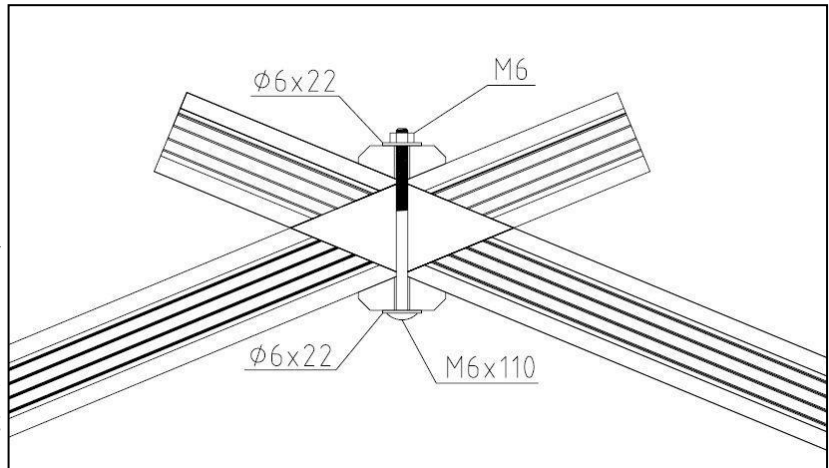


## Stormbeslag

Stormbeslag (pos. 140) måste fästas i paviljongens hörn på båda sidor av väggen. Fäst stormbeslagen med 6x110 bultar, brickor och muttrar.

Toppen på stormbeslaget (med det runda hålet) ska vara på samma nivå som översta väggbrädan. Det är viktigt att borra  $\varnothing$  6 mm hål igenom i förväg. Placera stormbeslagen på båda sidor av väggen.

Borra även hål igenom från mitten av de ovala hålen i stormbeslagen. Fäst listerna med bultar.



**RÅD:** Dra inte åt bultarna för hårt så att träet kan svälla eller krympa.

När paviljongen har satt sig bör du justera fästena så att väggbrädorna kan sätta sig.

## Allmänna råd:

### **Problem:**

### **Gap uppstår mellan väggbrädorna**

Orsak:

Ytterligare detaljer är fästa i paviljongen som inte tillåter träet att svälla/krympa.

Lösning:

Om dörr/fönster är monterade i väggbrädorna med skruv/spik, ta bort dessa skruvar/spikar;

Om stormbeslag är för hårt fastskruvade, lossa dess fästen;

Om (regnvatten) rör är monterade på väggen, lossa dess fästen;

### **Problem:**

### **Dörrar och fönster fastnar.**

Orsak:

Paviljongen/grunden har satt sig.

Lösning:

Kontrollera om paviljongen är i plan. Väg av grundsyllarna och väggarna.

Orsak:

Dörrar och fönster har svällt på grund av fukt.

Lösning:

Justera dörrarnas och fönstrens gångjärn; om nödvändigt, hyvla dörren eller fönstret smalare.



**Vi önskar dig lycka till med montering av paviljongen och mycket nöje med denna paviljong i många år framöver!**

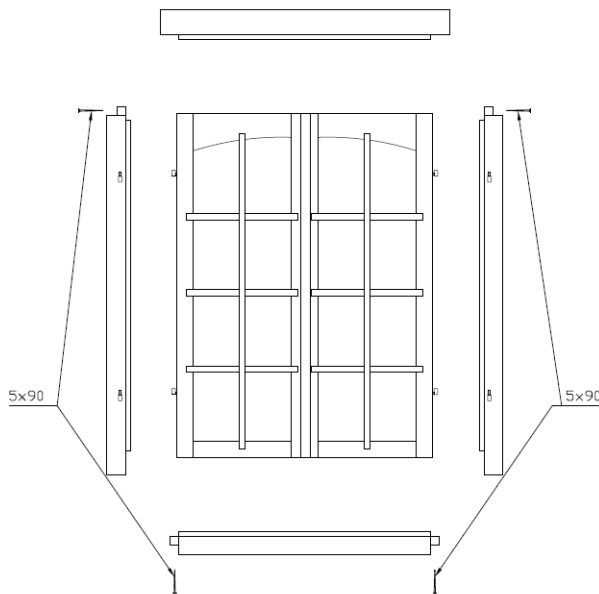
## Dörr och fönster

### Dörr- och fönsterkarm:

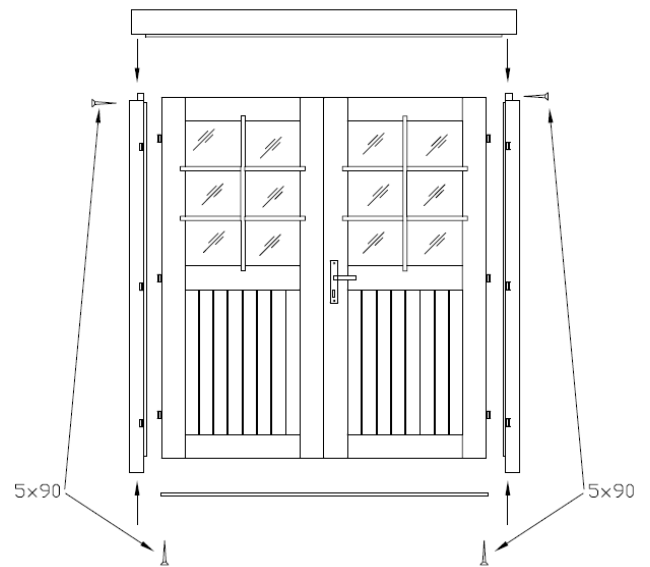
- För dubbeldörr och dubbelfönster levereras karmarna i separata delar på grund av transportkrav, börja med att montera dessa.
- För att göra det, sätt samman karmens fyra delar och skruva ihop dem med 5x90mm skruvar.
- Säkerställ att den del av karmen som har en djupare skåra monteras uppåt. De laterala sidokarmarna har gångjärn och är spegelvända.
- Det rekommenderas att dörrbladen monteras senare.

### Montering av dubbelfönstret och dubbeldörren:

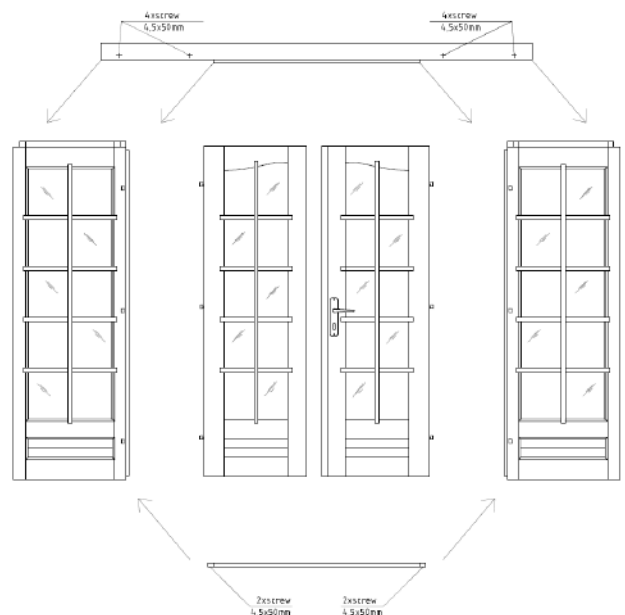
#### Fönster:



#### Dörr ver. 1 (PAY44-4242):



#### Dörr ver. 2 (PAY44-5742):



## 1 Yleistä tietoa



**Hyvä asiakas,**

Olemme iloisia, että valintasi kohdistui tuotteeseemme!

**Ole hyvä ja lue kokoamisohje huolellisesti ennen pystytyksen aloittamista!** Tämä auttaa välttämään ongelmia ja säästää aikaa.

### **Suosituksia:**

- Säilytä pystytystä odottava mökkipaketti kuivassa paikassa, joka ei ole suorassa kosketuksessa maan kanssa, ja säältä suojassa (kosteus, aurinko jne.). Älä pidä pakettia lämmitetyssä tilassa!
- Valitessasi mökille paikkaa varmista, ettei se tule joutumaan alttiiksi äärimmäisille sääoloille (voimakkaalle lumentulolle tai koville tuulille); muuten se tulee kiinnittää (esim. ankkureilla) maaperään.



### **Takuu**

Mökkisi on valmistettu korkealuokkaisesta kuusesta ja toimitetaan luonnollisessa (käsittelemättömässä) muodossa. Mikäli perusteellisesta tarkastuksestamme huolimatta sinulla on tuotteesta huomautettavaa, ole hyvä ja toimita täytetty valvontailmoitus ja ostolasku tuotteen myyjälle.

**HUOM! Muista säilyttää mökkipaketin mukana tulevat asiakirjat! Valvontailmoituksessa on tuotteen valvontanumero. Mahdollisten valitusten käsittely edellyttää, että mökin valvontanumero ilmoitetaan myyjälle!**

### Takuu ei kata seuraavia:

- Puun erikoispiirteet luonnonmateriaalina
- Puuosat, jotka on jo maalattu (käsitelty kyllästysaineella)
- Puuosien oksakohdat silloin, kun ne eivät vaaranna mökin vakautta
- Puun rakenteesta johtuvat sävyerot, jotka eivät vaikuta puun kestävyteen
- Puuosissa olevat (kuivumisen aiheuttamat) pienet halkeamat/raot, jotka eivät mene puun läpi, eivätkä vaikuta talon rakenteeseen
- Taipuneet puuosat, jotka voidaan kaikesta huolimatta asentaa
- Katto- ja lattialaudat, joiden piiloon jäävällä puolella saattaa olla höyläämättömiä kohtia, värieroja tai vajaasärmiä
- Valitukset, jotka johtuvat mökin virheellisestä pystytyksestä tai puutteellisen perustuksen aiheuttamasta vajoamisesta
- Valitukset, jotka johtuvat mökkiin oma-aloitteisesti tehdyistä muutoksista, kuten taitamattomasta käsittelystä johtuva puuosien ja ovien/ikkunoiden vääntyminen; jäykisteiden liian tiukka asentaminen, ovenkarmien ruuvaaminen seinäpuihin yms.

**Takuun piiriin kuuluvat huomautukset hoidetaan vaihtamalla viallinen/väärä materiaali uuteen. Muita mahdollisia vaatimuksia ei huomioida!**



## Mökin maalaaminen ja huolto

Puu on luonnonmateriaali, joka laajenee ja elää sääolojen mukaan. Pienet ja suuret raot, värisävyerot ja -muutokset sekä puun rakenteen vaihtelu eivät ole virheitä, vaan ne johtuvat puun laajenemisesta ja luonnonmateriaalin ominaisuuksista.

Käsittelemätön puu (lattiapalkkeja lukuun ottamatta) muuttuu ajan myötä harmahtavaksi, ja saattaa sinertyä ja homehtua. Tämän vuoksi mökin puuosat tulee välittömästi suojata kyllästysaineella.

Lattialaudat kannattaa käsitellä etukäteen värittömällä puunkyllästysaineella, etenkin lautojen alapinnat, joihin ei pääse käsiksi enää mökin pystytyksen jälkeen. Se on ainoa keino estää kosteutta imeytymästä puuhun.

Myös ovet ja ikkunat tulee käsitellä kyllästysaineella niin sisä- kuin ulkopuolelta! Muuten on vaara, että ovet ja ikkunat vääntyvät.

Mökin pystytyksen jälkeen se kannattaa käsitellä kauttaaltaan sään vaikutuksilta suojaavalla maalilla, joka suojaa puuta kosteudelta ja UV-säteilyltä.

Maalatessa käytä laadukkaita työvälineitä ja maaleja, noudata maalausohjetta sekä valmistajan turvallisuus- ja käyttöohjeita. Älä koskaan maalaa suorassa auringonpaisteessa tai sateella. Kysy asiantuntijalta käsittelemättömälle havupuulle sopivista maaleista ja noudata maalinvalmistajan ohjeita.

Asianmukainen maalaus pidentää rakennuksen käyttöikää huomattavasti. Suosittelemme, että tarkastat mökin huolellisesti joka kuuden kuukauden välein.

## 2 Pystytyksen valmistelu

### Työkalut ja osien valmistelu

Mökin pystyttämisessä tarvitaan seuraavia työkaluja:



apulainen



tikkaat



vasara



vatupassi



ruuvimeisseli



saha



veitsi



rullamitta



pihdit



pora

**NEUVO:** Tikkujen välttämiseksi käytä asianmukaisia suojakäsineitä kokoamisen aikana.



**Toivotamme täydellistä menestystä puutarhamajan asennuksessa ja paljon iloa majasta monina tulevina vuosina!**

## 1 Generelt



**Kære kunde,**

Tak fordi du valgte vores havehus!

**Venligst læs hele monteringsvejledning igennem før du går i gang** for at undgå unødvendig tidsspilde og problemer!

### Tips:

- Opbevar pakken med havehuset tørt, beskyttet mod vejr og vind og ikke direkte på jordoverfladen indtil monteringen er afsluttet. Pakken må ej heller være i nærheden af en varmekilde.
- Ved placeringen af havehuset vær opmærksom på, at huset ikke kommer til at stå i ekstreme vejrforhold (stærk vind, meget sne i.lign.), i så fald skal huset fæstnes med passende ankere til grunden.



### Garanti

Havehuset er fremstillet af højkvalitativ gran tømmer og leveres i ubehandlet stand. Hvis der på trods af vores grundig kvalitetskontrol skulle være klager eller mangler ved huset, skal disse indgives til sælgeren sammen med udfyldt kontrolskema og indkøbskvittering.

**OBS: Venligst opbevar vedlagte dokumentation til havehuset! Husets kontrolnummer fremgår af kontrolskemaet. Klager kan kun indgives hvis I oplyser kontrolnummeret til sælgeren.**

Garantien omfatter ikke følgende:

- Ujævnheder og afvigelser grundet træets naturlige egenskaber
- Detaljer som allerede er behandlere med træbeskyttelse
- Detaljer som indeholder hele knaster der ikke påvirker husets stabilitet
- Afvigelser i træets farvenuancer som ikke påvirker træets levetid
- Detaljer som indeholder små sprækker opstået ved tørning der ikke er gennemgående og som ikke påvirker husets konstruktion
- Trædetaljer med skævhed, der stadig kan monteres
- Tag- og gulvbrædder, der indeholder uhøvlede pletter, farveafvigelser eller andre pletter i ikke synlige steder
- Klager der opstået pga. ukyndig montering af huset eller ved placeringen af huset på et ukorrekt udført fundament
- Klager, der er opstået pga. egne tiltag eller ændringer ved huset, såsom skævhed af trædetaljer, døre og vinduer pga ukyndig behandling af træet; stormlisternes for stram montering; dørkarme fastmonteret i vægdetaljer o.lign.

**Garantien udøves ved at ombytte den fejlbehæftede element med en ny. Alle andre krav tilgodeses ikke!**



## Havehusets maling og vedligeholdelse

Træ er et naturmateriale, der bevæger sig afhængigt af vejrforhold. Små og store sprækker, farveafvigelser og ændringer, samt ændret træstruktur er ikke fejl, men træets egenskaber som naturmateriale.

Ubehandlet træ (undtagen fundamentalsprosser) ændres efterhånden til gråligt, kan endda blive blåligt og muggent. For at beskytte dit havehus og dens trædele bedst, skal du så hurtigt som muligt behandle træet med træbeskyttelse.

Vi anbefaler først at behandle gulvbrædder med et ufarvet træbeskyttelse, specielt bræddernes underside, som ikke vil være tilgængeligt for yderligere behandling efter monteringen. Kun på den måde kan man forhindre fungten at trænge ind.

Vi anbefaler, at du behandler også døre og vinduer med træbeskyttelse. Det er vigtigt at behandle døre og vinduer både på inder- og ydersiden! Ellers kan de trække sig skæve efterhånden.

Efter monteringen af huset anbefaler vi brugen af en passende maling for at beskytte ydersiden mod vejr, vind og UV-stråling.

Brug højkvalitative redskaber og maling under malingsarbejdet, følg instruktioner og anbefalinger fra malingsproducenten. Mal aldrig i direkte sollys eller i regnvejr. Søg tips og råd hos din malingsforhandler og følg deres instruktioner.

Regelmæssig maling af havehuset forlænger betydeligt dets levetid. Vi anbefaler en grundig gennemgang af huset ved hvert halve år.

## 2 Forberedelse for montage

### Redskaber og forberedelse af alle elementer

For monteringen har du brug for følgende redskaber og værktøj:



en hjælper



stige



hammer



vatterpass



skruetrækker



sav



kniv



målebånd



tang



boremaskine

**TIPS:** For at undgå splinter anbefaler vi brug af arbejdshandsker.



**Pøj-pøj med monteringen af Dit nye havehus!  
Vi håber, I får glæde af det mange år frem i tiden!**

## 1 Algemene informatie



**Geachte klant,**

Wij zijn zeer verheugd dat U beslist heeft in het voordeel van ons tuinhuis!

**Lees deze handleiding aandachtig alvorens te starten met de montage van het tuinhuis!** U zal zo problemen voorkomen en geen tijd verliezen.

### **Aanbevelingen:**

- Bewaar het bouwpakket op een droge plaats tot het volledig gebouwd is, maar niet in direct contact met de grond en beschermd tegen weersomstandigheden (vochtigheid, zonlicht, enz.). Bewaar het pakket niet in een verwarmde ruimte!
- Wanneer U de locatie kiest voor het tuinhuis, let er dan op dat het enerzijds niet onderhevig is aan extreme weersomstandigheden (plaatsen met zware sneeuwval of winden); anderzijds bevestigt U het huis best (bv. met ankers) aan de ondergrond.



### **Garantie**

Uw huis is gemaakt van hoogwaardige vuren hout en geleverd in natuurlijke (onbehandelde) vorm. Als, ondanks onze gedegen inspectie, U toch klachten zou hebben, stuur dan het ingevulde controleblad en de aankoopfactuur naar de verkoper..

**OPGELET: Gelieve de bij Uw bouwpakket gevoegde documentatie te bewaren! Het controleblad bevat het controlenummer van Uw tuinhuis. We kunnen enkel klachten behandelen indien U het controlenummer aan Uw verkoper bezorgt!**

### De garantie dekt niet:

- Eigenaardigheden van hout als natuurlijk materiaal
- Houten reeds geschilderde delen (behandeld met een houtbeschermingsmiddel)
- Knoesten in het hout die de stabiliteit van het tuinhuis niet in het gedrang brengen
- Kleurschakeringen veroorzaakt door verschillen in houtstructuur die de levensduur van het hout niet beïnvloeden.
- Houten afwerkingsstukken (veroorzaakt door het drogen) kleine scheuren en openingen die geen invloed hebben op de structuur van het tuinhuis
- Verwongen houten afwerkingsstukken, als ze desondanks toch kunnen geïnstalleerd worden.
- Dak- en vloerpanelen die op verborgen plaatsen ongeschaafde plekken, kleurverschillen en tanning kunnen vertonen.
- Klachten voortkomend uit een incompetente wijze van installeren van het tuinhuis of het naastgelegen huis tengevolge van een incompetente fundering.
- Klachten veroorzaakt door het aanbrengen van zelf-geïnitieerde wijzigingen, zoals het vervormen van houten details aan deuren/ramen tengevolge van incompetente behandeling van het hout; aan het tuinhuis, het te vast bevestigen van stormankers, deurlijsten die worden vastgeschroefd aan wand logs, etc.

**De klachten gedekt door garantie zijn beperkt tot het vervangen van gebrekkig/foutief materiaal. Alle andere vragen worden uitgesloten!**



## Tuinhuis, schilderen en onderhoud

Hout is een natuurlijk materiaal, zet uit en past zich aan aan de weersomstandigheden. Grote en kleine scheuren, kleurverschillen en – veranderingen, net als een veranderende houtstructuur zijn geen fouten, maar een resultaat van het uitzetten van het hout en van de aard van het hout als natuurlijk materiaal.

Onbehandeld hout (behalve de funderingsbalken) kan grijs worden als het een tijd met rust wordt gelaten, het kan blauw en schimmelig worden. Om de houten details van Uw tuinhuis te beschermen, moet U ze onmiddellijk behandelen met een houtbeschermingsmiddel.

We raden aan dat U de vloerdelen met een kleurloze middel impregneert, vooral de onderkanten, die U niet meer kan bereiken eens het tuinhuis is geassembleerd. Alleen zo voorkomt U het doordringen van vocht.

We raden absoluut aan om ook de deuren en ramen kleurloos te impregneren, zowel aan de binnen- als aan de buitenkant! Anders kunnen ze verwrongen geraken.

Nadat het tuinhuis volledig is geassembleerd, bevelen we als finale afwerking het aanbrengen van een dekkende verf aan die het hout zal beschermen tegen vocht en UV-straling.

Gebruik bij het schilderen kwaliteitsgereedschap en –verven, Volg de bij de verf geleverde veiligheidsgebruikshandleiding. Schilder nooit een oppervlak in felle zon of bij regenweer. Consulteer een specialist betreffende verven die geschikt zijn voor onbewerkt hout en volg de instructies van de verffabrikant.

Het degelijk schilderen van Uw tuinhuis zal de levensduur ervan aanzienlijk verlengen. We raden U aan het tuinhuis elke zes maanden grondig te inspecteren.

## 2 Voorbereiding voor montage

### Gereedschappen en voorbereiding van de onderdelen

Om het tuinhuis te monteren, zal U volgende gereedschappen nodig hebben:



montagesteun



ladder



hamer



waterpas



schroevendraaier



zaag



mes



rolmeter



knijptang



boormachine

**Raadgeving:** Om splinters te vermijden, raden we U aan de overeenkomstige beschermende handschoenen te dragen tijdens het montageproces.



**We wensen U alle success met Uw tuinhuismontage en heel veel plezier ermee in de komende jaren!**



# 1 Üldinfo



## Lugupeetud klient,

Meil on hea meel, et olete otsustanud meie aiamaja kasuks!

**Palume Teil enne maja paigaldamisega alustamist montaažjuhend väga hoolikalt läbi lugeda!** Nii väldite probleeme ja asjatut ajakulu.

### Nõuanded:

- Säilitage majapakki kuni lõpliku kokkumonteerimiseni kuivas kohas, vältides otsesest kokkupuudet maapinnaga ning kaitstuna ilmastikutingimuste (niiskus, päike jms) eest. Ärge hoidke majapakki kuumaks köetud ruumis!
- Aiamaja asukoha valikul jälgige, et maja ei jääks ekstreemsete ilmastikuolude meelevalda (tugeva lumesaju või tuulega piirkonnad), vastasel korral peaksite maja kinnitama (nt ankrute abil) aluspinnase külge.



## Garantii

Teie maja on valmistatud kõrge kvaliteetsest kuusepuidust ja tarnitakse naturaalsel (töötlemata) kujul. Kui hoolimata meie põhjalikust kontrollist peaks kaebusi esinema, esitage kauba müüjale täidetud kontroll-leht ja ostuarve.

**TÄHELEPANU: Palume kindlasti säilitada maja juurde kuuluv dokumentatsioon! Kontroll-lehelt leiate maja kontrollnumbri. Kaebustega saab arvestada ainult juhul, kui Te edastate müüjale maja kontrollnumbri!**

### Garantii alla ei kuulu:

- Puidu kui looduslikust materjali loomulikust käitumisest ja iseärasustest tulenevad muutused – paisumine, kahanemine ning toonierinevused
- Detailid, mis on juba värvitud (puidukaitsevahendiga töödeldud)
- Detailid, milles esineb terveid/sissekasvanud oksid, mis ei kahjusta maja stabiilsust
- Puidu struktuuri erinevustest tingitud erinevad värvitoonid, mis ei mõjuta puidu eluiga
- Detailid, milles on (kuivamisest tingitud) väikesed praod/lõhed, mis ei ole läbivad ning ei mõjuta maja konstruktsiooni stabiilsust
- Väändunud puitdetailid
- Katuse- ja põrandalauad, mille mitterahuldavatel pindadel võib esineda hõõveldamata pinda, värvierinevusi ja poomkantsust
- Kaebused, mille on põhjustanud maja asjatundmatu paigaldus või maja vajumine asjatundmatult valmistatud vundamendi tõttu
- Kaebused, mis on põhjustatud omaalgatuslikest muudatustest maja juures, nagu nt puitdetailide ja uste/akende kõveraks tõmbumine asjatundmatu puidu töötlemise tõttu; tormiliistude liiga jäik kinnitamine, ukseraamide krüvimine seinadetailide külge jms.

**Garantii alla kuuluvate kaebuste rahuldamine piirdub puuduva/vigase materjali väljavahetamisega. Kõik muud nõudmised on välistatud! Tootja jätab endale õiguse toote tehnilisteks muudatusteks.**



## Aiamaja värvimine ja hooldus

Puit on looduslik materjal ning kasvab ja kahaneb sõltuvalt ilmastikuoludest. Suured ja väikesed praod, värvitoonide erinevused ning muutused, samuti muutuv puidustruktuur ei ole vead, vaid on puu kasvamise tulemus ning puidu kui loodusliku materjali omapära.

Töötlemata puit (va vundamendiprussid) muutub seistes mõne aja pärast hallikaks, võib tõmbuda siniseks ja minna hallitama. Et kaitsta oma aiamaja puitdetailide, peate Te need koheselt puidukaitsevahendiga töötlemata.

Soovitame katta põrandalauad eelnevalt värvitu puiduimmutusvahendiga, eriti laudade alumised küljed, millele pärast maja kokkumonteerimist enam ligi ei pääse. Ainult sel juhul saab takistada niiskuse sisseimbumist.

Soovitame kindlasti töödelda puiduimmutusvahendiga ka uksi ja aknaid. Oluline on uksi-aknaid töödelda kindlasti nii seest- kui ka väljastpoolt! Vastasel korral võivad nad kõveraks tõmbuda.

Pärast maja montaaži soovitame lõplikul viimistlusel kasutada ilmastikuolude kaitseks värvi, mis kaitseb puitu niiskuse ja UV-kiirguse eest.

Värvimisel kasutage kõrgekvaliteedilisi tööriistu ja värve, järgige värvide kasutusjuhendit, tootja ohutus- ja kasutamisharjutusi. Ärge kunagi värvige otsese päikese käes ega vihmase ilmaga. Laske end erialaspetsialistil nõustada töötlemata okaspuu jaoks mõeldud värvide osas ja järgige värvitootja juhiseid.

Reeglipärane maja värvimine pikendab oluliselt Teie aiamaja eluiga. Kord poole aasta järel soovitame Teil maja hoolikalt üle vaadata.

## 2 Ettevalmistus montaažiks

### Töövahendid ja detailide ettevalmistus

Aiamaja montaažiks on Teil vaja järgmisi tööriistu:



montaažiabiline



redel



haamer



vesilood



kruvikeeraja



saag



nuga



mõõdulint


















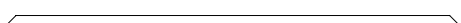
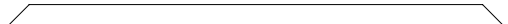
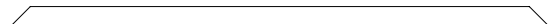



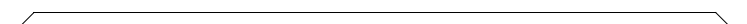



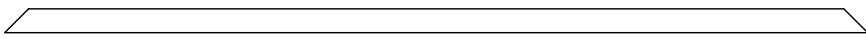
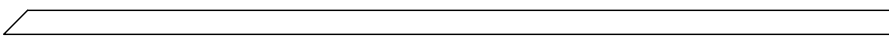
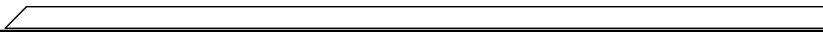

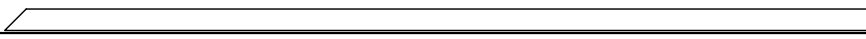
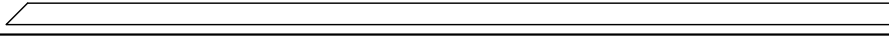


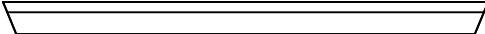
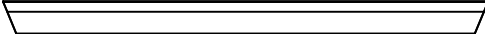



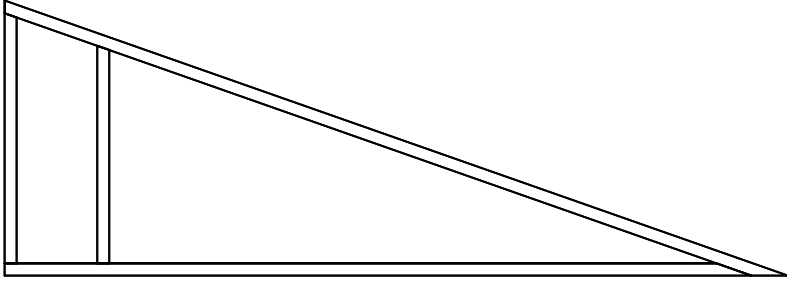
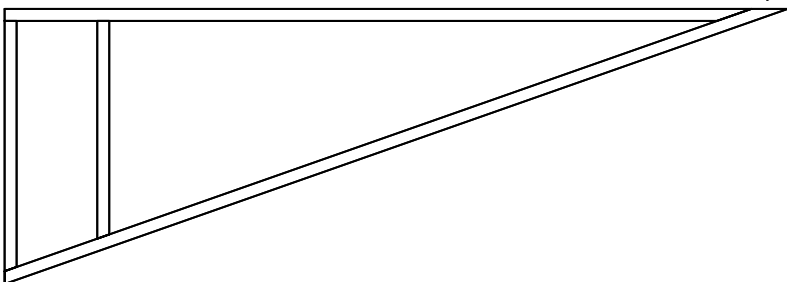
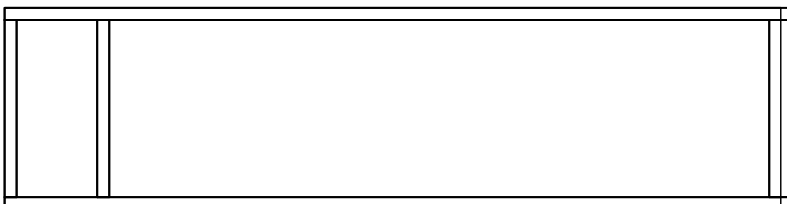
tangid

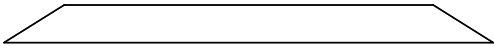
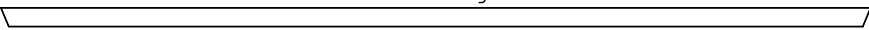
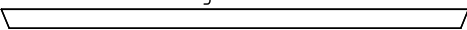
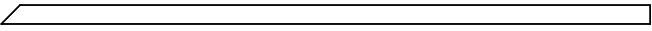
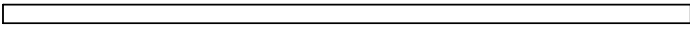
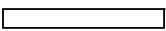



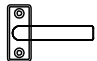











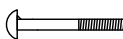




puur

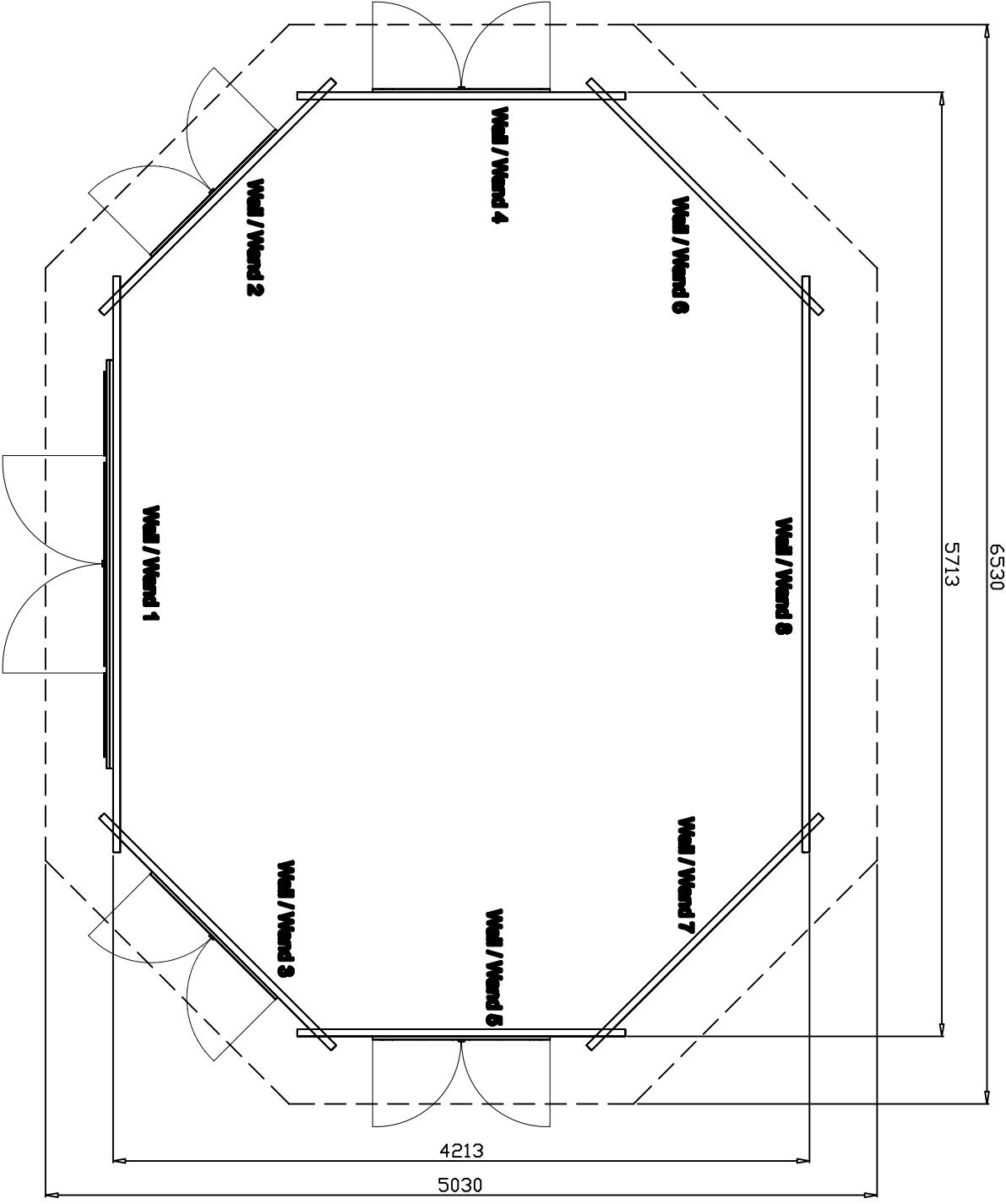
**NÕUANNE:** Vältimaks võimalikke pinde, soovitame kanda monteerimise ajal vastavaid kaitsekindaid.

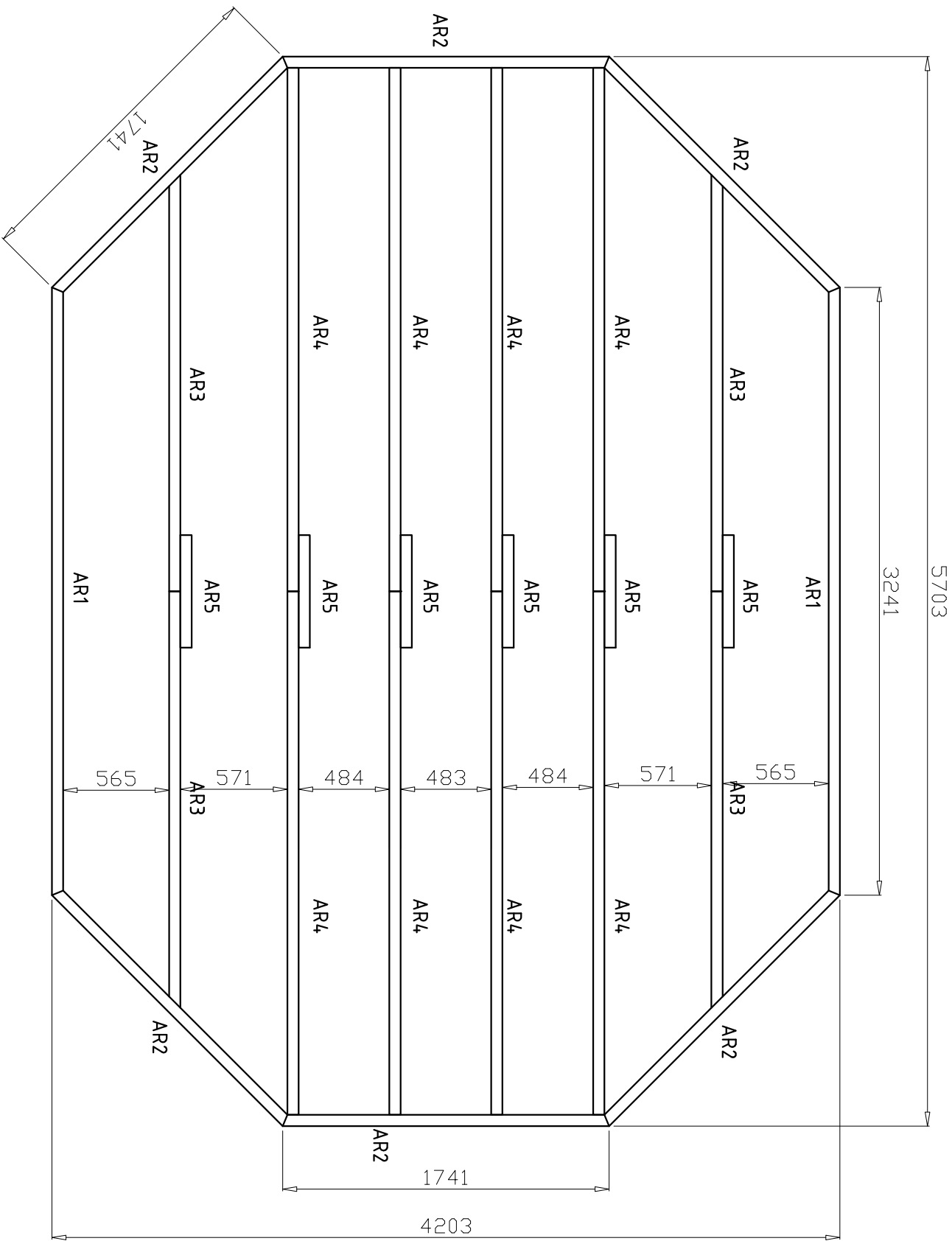
Pos	SPECIFICATION-STÜCKLISTE-NOMENCLATURE-ELEMENTI-ESPECIFICACIÓN "Y44-5742"	Pcs	Profile (mm)	Length (mm)
001a		1	44x55	542
001b		1	44x55	542
001		1	44x55	3485
002		17	44x114	542
003		17	44x114	542
004		19	44x114	3485
005	 Ohne Nut	2	44x114	3485
006		62	44x114	1985
007		2	44x114	1985
008		46	44x114	487
009		46	44x114	487
010		2	44x114	1985
011		4	44x55	1985
012		2	44x55	1985
013	 Ohne Nut	2	44x114	1985
060	Floor board- Fussbodenbrett- Madrier du plancher - Tavola pavimento- Tabla de suelo			
061	 2x90°	36	19x89	4115
062	 2x45°	2	19x89	1780
063	 2x45°	2	19x89	1959
064	 2x45°	2	19x89	2139
065	 2x45°	2	19x89	2318
066	 2x45°	2	19x89	2498
067	 2x45°	2	19x89	2677
068	 2x45°	2	19x89	2857
069	 2x45°	2	19x89	3036

Pos	SPECIFICATION-STÜCKLISTE-NOMENCLATURE-ELEMENTI-ESPECIFICACIÓN "Y44-5742"	Pcs	Profile (mm)	Length (mm)
0610	 2x45°	2	19x89	3216
0611	 2x45°	2	19x89	3395
0612	 2x45°	2	19x89	3575
0613	 2x45°	2	19x89	3754
0614	 2x45°	2	19x89	3934
0615	 2x45°	2	19x89	4113
150	Fitting slat- Montagebrett- Tableau de montage- Tavola di montaggio- Tabla de montaje	5	6x12	1200
100		6	19x95	2086
101		2	19x95	3586
151		6	44x120	1808
152		2	44x120	3308
131	Floor beading- Fussbodenleiste- Baguette du plancher- Listello pavimento- Listón de suelo 	10	19x19	1800
140	Storm brace- Sturmleiste- Protection contre le vent- Antivento- Protector contra tormentas 	16	19x45	2170
156	Slat- Leiste- Baguette- Listello- Listón 	1	19x45	2400
170	Roof element- Dachelement- Panneau de toit- Elemento di tetto- Elemento de tejado 	8	61x1030	2918
171	Roof element- Dachelement- Panneau de toit- Elemento di tetto- Elemento de tejado 	8	61x1030	2918
172	Roof element - Dachhälfte 	4	61x750	2920

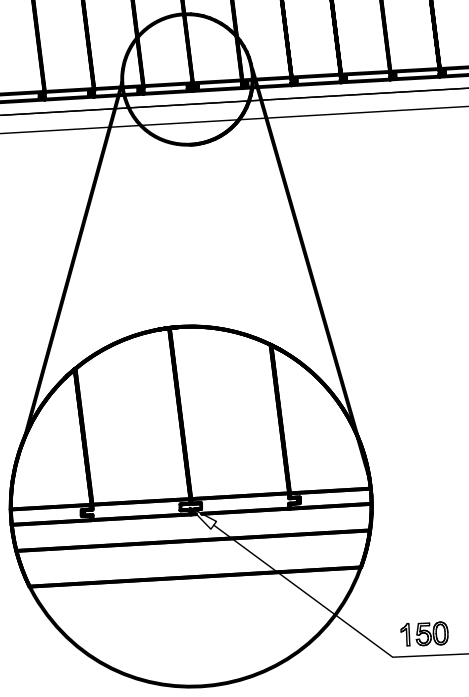
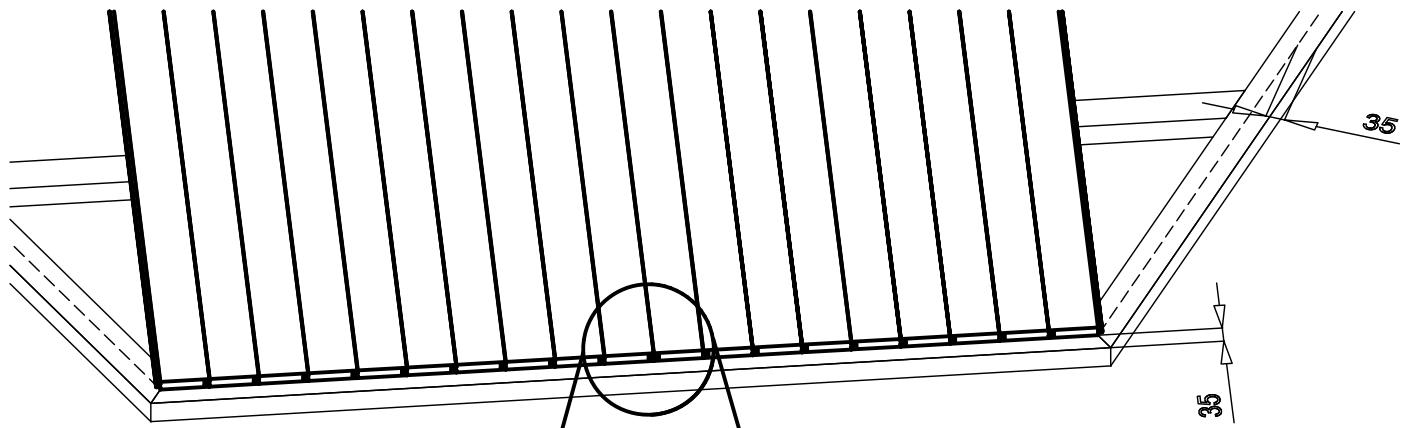
Pos	SPECIFICATION-STÜCKLISTE-NOMENCLATURE-ELEMENTI-ESPECIFICACIÓN "Y44-5742"	Pcs	Profile (mm)	Length (mm)
160	Purlin- Dachpfette- Arbalétrier Arcareccio- Vigueta de tejado 	1	44x140	1823
AR1	Foundation- Fundament- Fondation- Fondazione- Vigas de cimentación 2x68° 	2	60x80	3241
AR2	Foundation- Fundament- Fondation- Fondazione- Vigas de cimentación 2x68° 	6	60x80	1741
AR3	Foundation- Fundament- Fondation- Fondazione- Vigas de cimentación 90°/45° 	4	60x80	2221
AR4	Foundation- Fundament- Fondation- Fondazione- Vigas de cimentación 2x90° 	8	60x80	2791
AR5	Foundation- Fundament- Fondation- Fondazione- Vigas de cimentación 2x90° 	6	60x80	600
	Fixing kit- Befestigungsset- Moyens de fixation- Materiale di fissaggio- Kit de fijación 	1		
	Cylinder- Zylinderschloss- Serrure a mortaiser- Serratura a cilindro- Bombin 30.35 	1		
	Door fittings- Türbeschlag- Ferrure- Ferramenta porta- Manilla puerta- QLIUKAPAL 	1		
	Window fittings- Fenstergriff- Poigne de la fenêtre- Maniglia finestra- Manilla (ventana) 	8		
	Screw- Schraube- Vis- Vite- Tornillo- 2.5x16mm 	2		
	Screw- Schraube- Vis- Vite- Tornillo - 3x20mm 	96		
	Keeper- Schliessblech- Tole- Lamiera- Aldaba de candado 	1		
	Screw- Schraube- Vis- Vite- Tornillo- 4.5x50mm 	34		
	Screw- Schraube- Vis- Vite- Tornillo- 4.5x70mm 	12		
	Screw- Schraube- Vis- Vite- Tornillo- 5x90mm 	198		
	Screw- Schraube- Vis- Vite- Tornillo- 6x120mm 	54		
	Nail- Nagel- Clou- Chiodo- Clavo- 1.4x40mm 	30		
	Nail- Nagel- Clou- Chiodo- Clavo- 2.5x50mm 	500		
	Window stop- Fensterfeststelle- Crémaillere- Fissativo finestra- Fijador de ventana- QAF240Zn 	8		
	Nut- Schraubenmutter- Écrou- Dado- Tuerca - M6mm 	24		
	Bolt -Schloss-schraube -Boulon- Bullone- Perno - M6x110mm 	24		
	Washer- Dichtscheibe- Joint- Rondella- Arandela - 6x22mm 	48		
190	Seal- Gummidichtung- Joint d'isolation- Guarnizione- Burlete 	1		27000















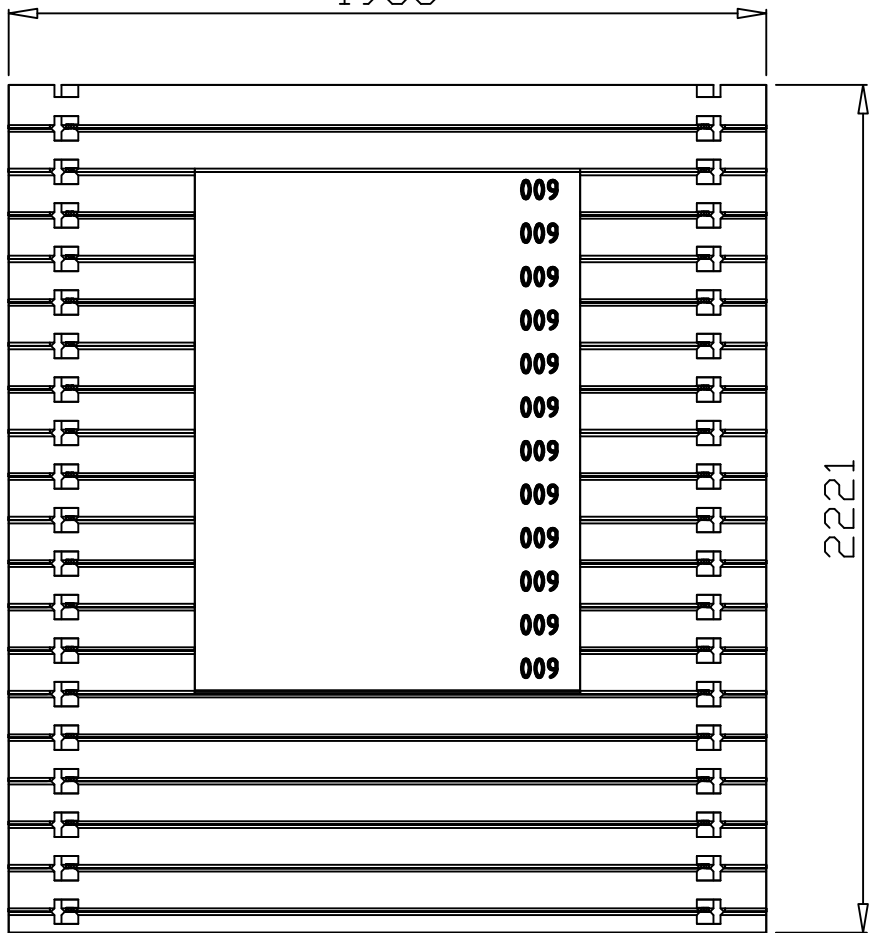
1985

013  
006  
008  
008  
008  
008  
008  
008  
008  
008  
008  
008  
008  
008  
008  
008  
006  
006  
006  
006  
006  
012

009  
009  
009  
009  
009  
009  
009  
009  
009  
009  
009  
009  
009  
009  
009

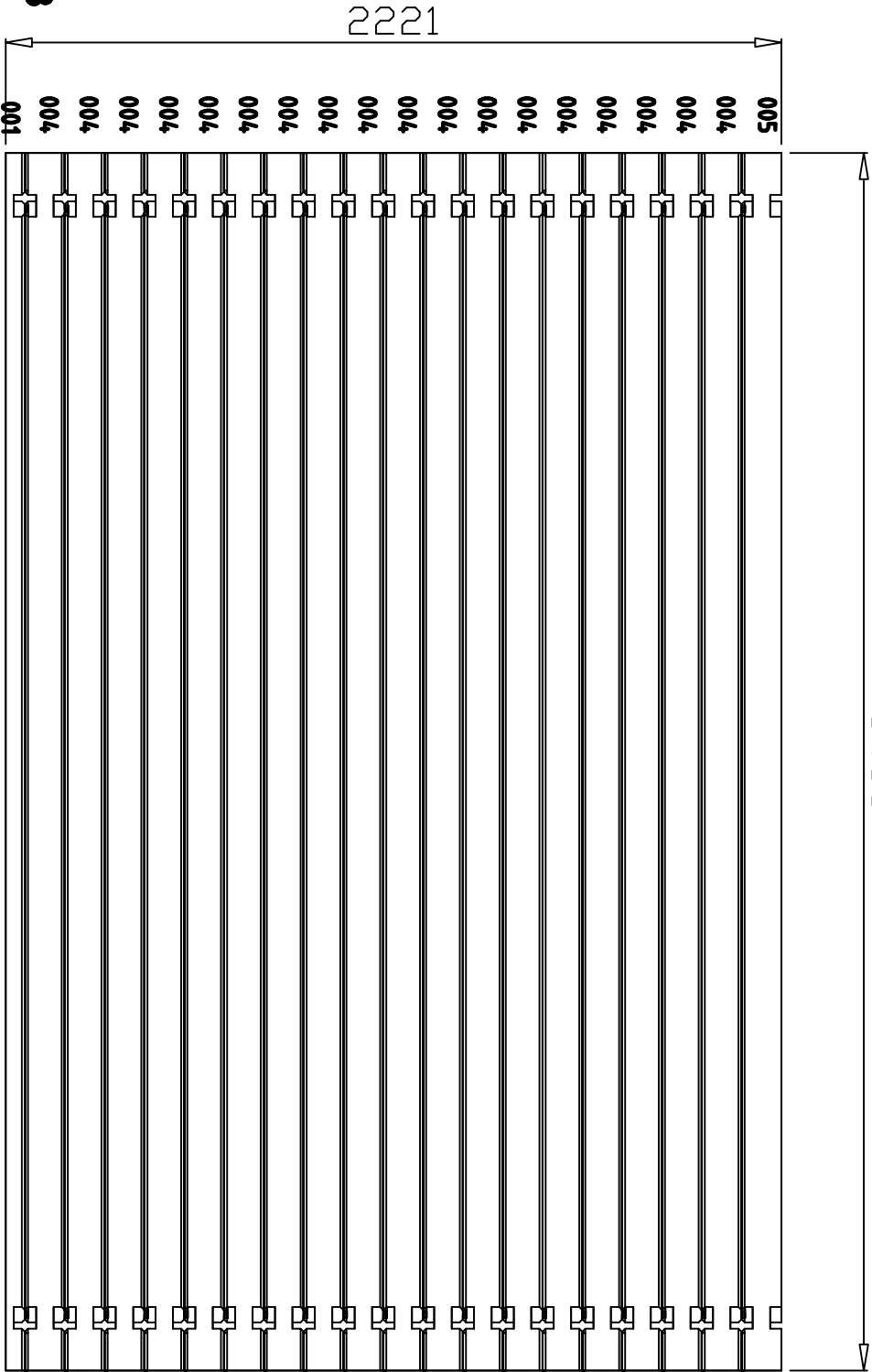
2221

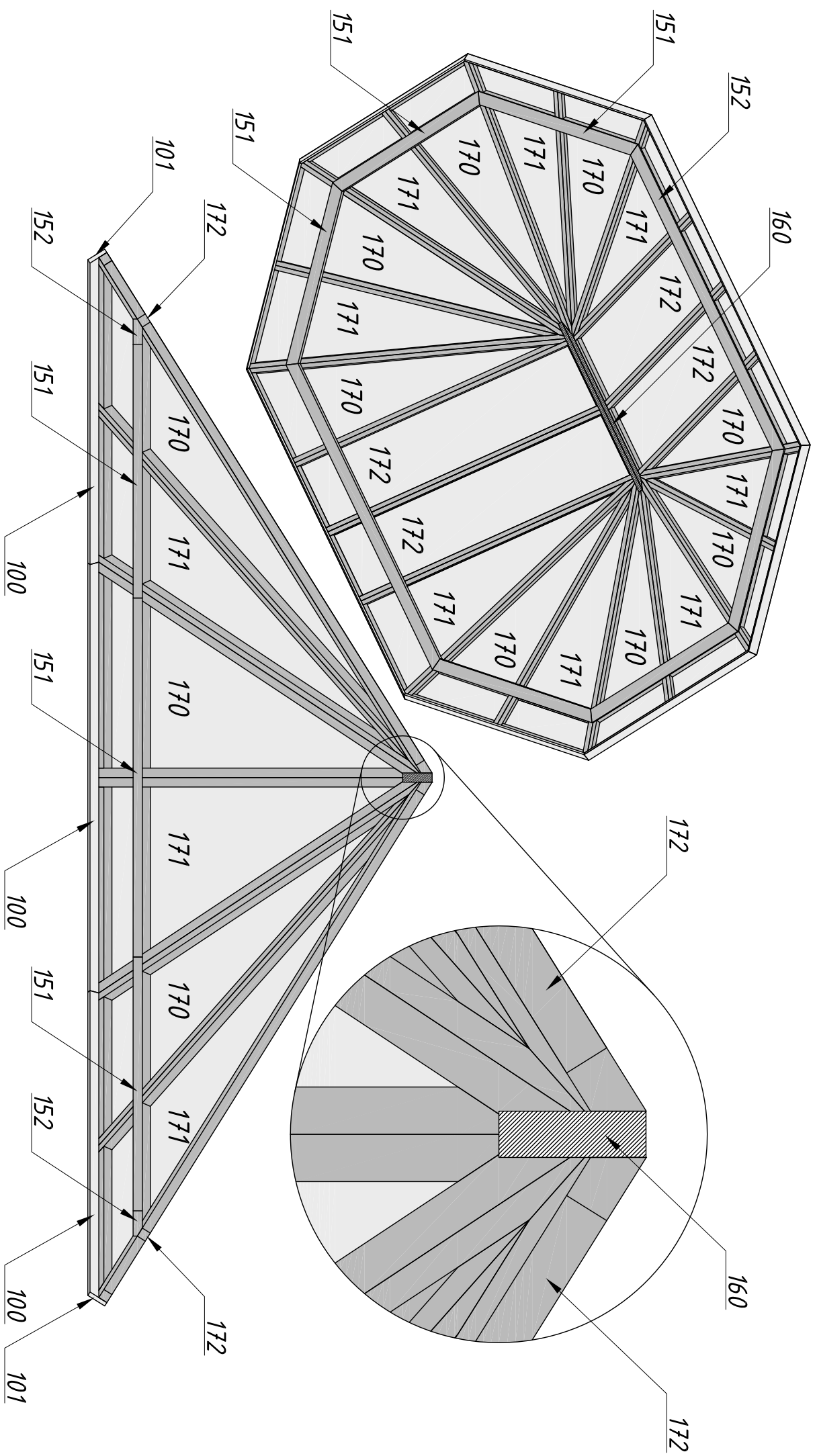
Wall / Wand 4 & 5

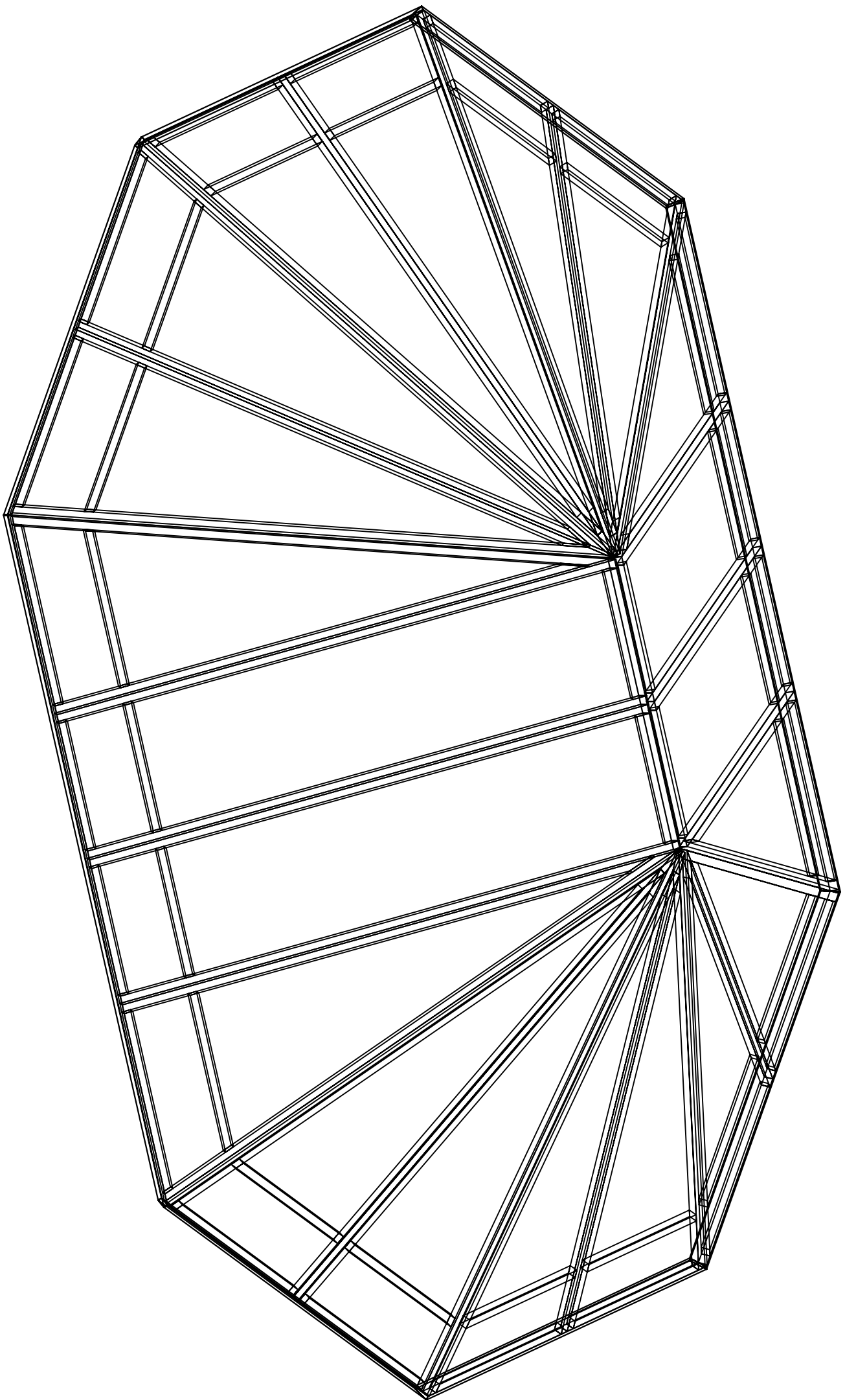




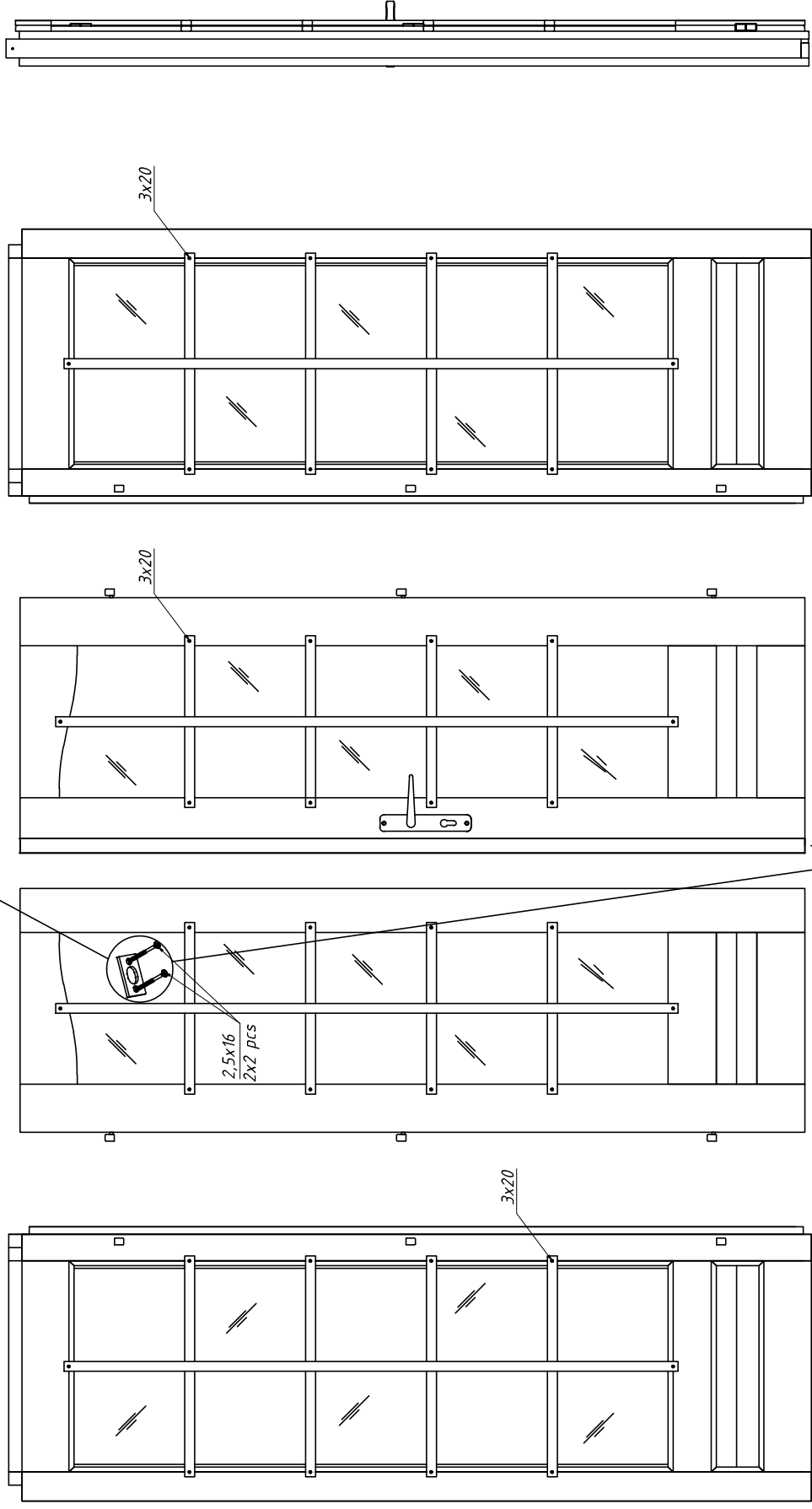
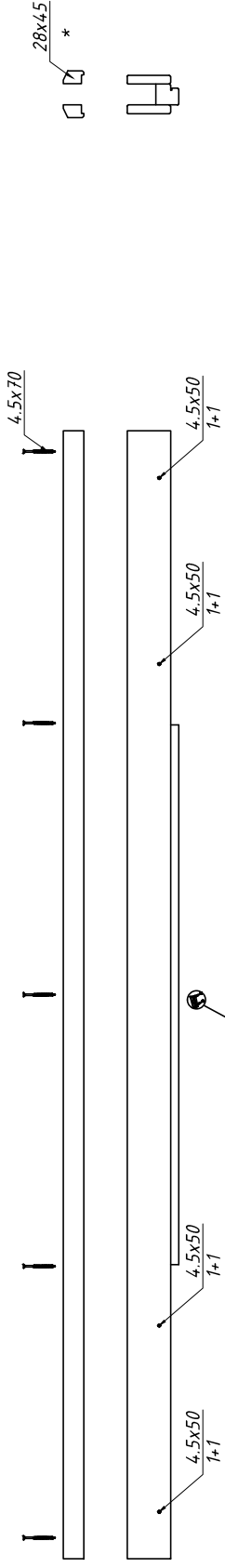
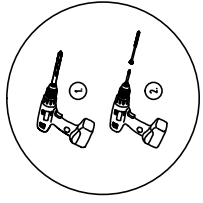
**Wall / Wand 8**











\* Les spécifications peuvent varier selon le modèle spécifique  
 \* Dependiendo del modelo, la especificación puede cambiar  
 \* Le specifiche possono variare a seconda del modello

\* Die Spezifikation können je nach Modell unterschiedlich sein

\* The specification may vary depending on the specific model

4.5x50

4.5x50