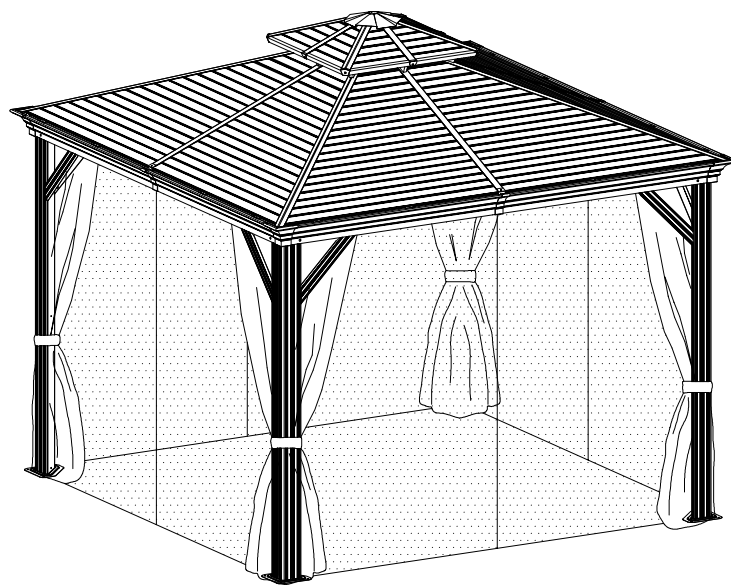


CosyLifeStyle[®]

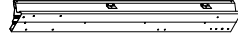
Manual
for
Gazebo San Bruno
3x3m

3 x 3 M

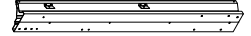




A 4x



B 4x



B1 4x



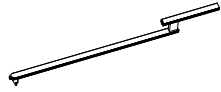
C 4x



C1 4x



E 4x



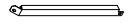
E1 4x



F1 4x



F2 4x



G1 4x



G2 4x



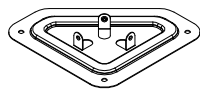
G3 4x



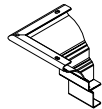
H 4x



H1 4x



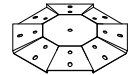
J 4x



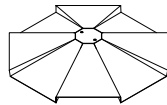
K 4x



K1 4x



L 1x



M 1x



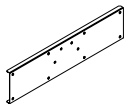
N 8x



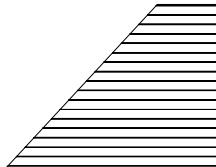
N1 4x



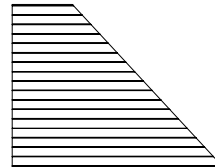
N2 4x



P 4x



Q1 4x



Q2 4x



R1 4x



R2 4x



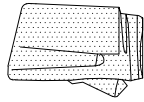
S1 4x



S2 4x



T 4x



+



T1 4x + 1x



U 96x



V 4x



W 16x



Y 16x

S4



1x



M6x15

1 184x



2 8x



M5x12

3 4x



ST4.8x12

4 28x

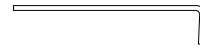


5 1x



M5x6

6 16x

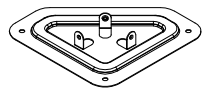


9 12x

<1>



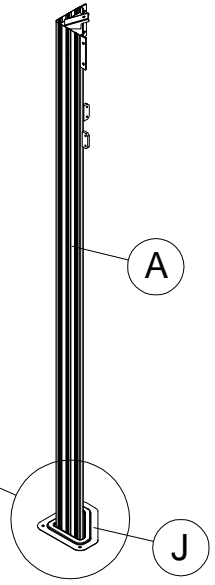
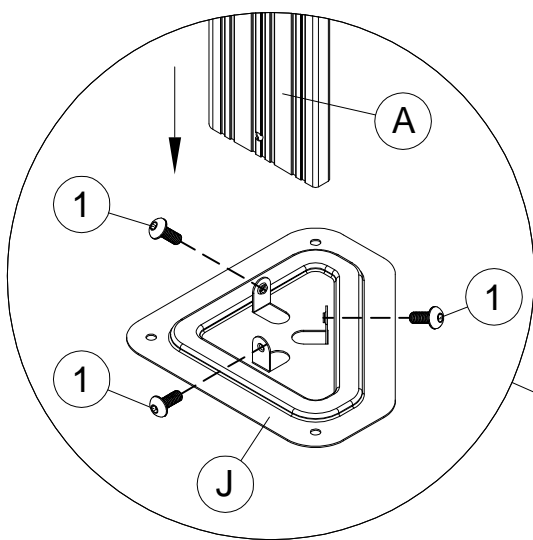
A 4x



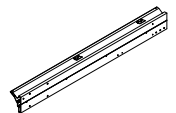
J 4x



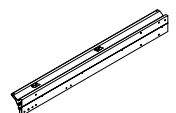
1 12x M6x15



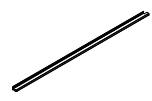
<2>



B 2x



B1 2x

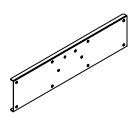
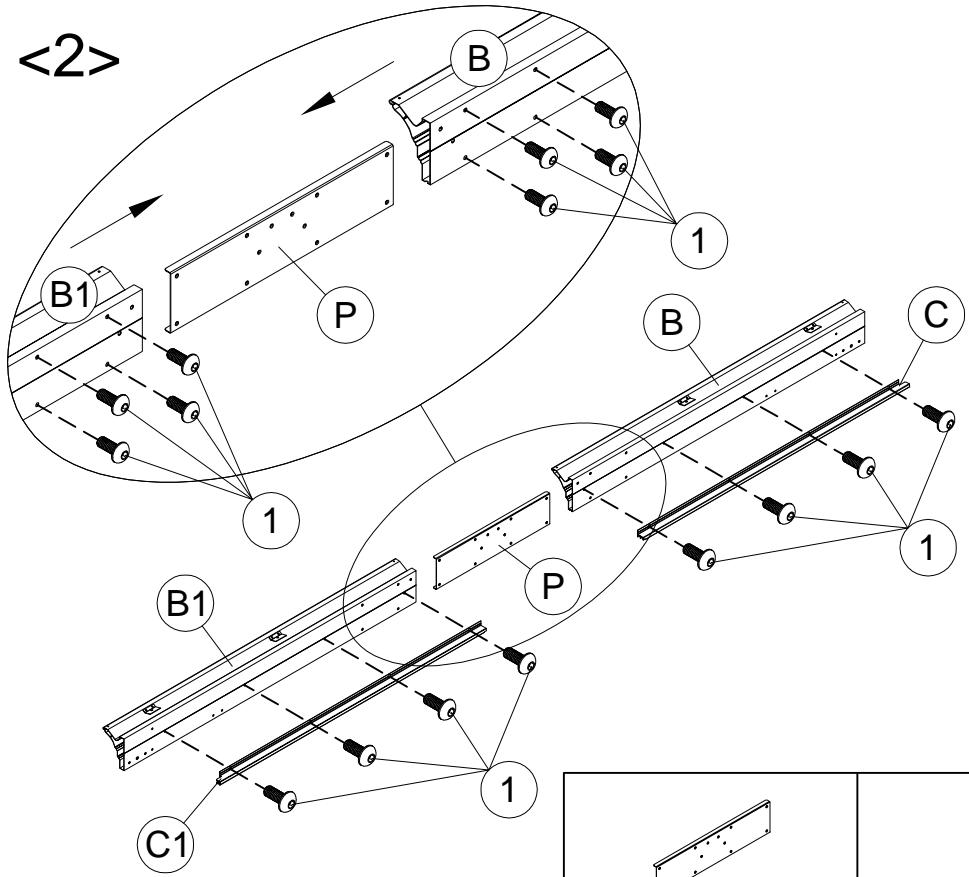


C 2x



C1 2x

4



P 4x



1 64x M6x15



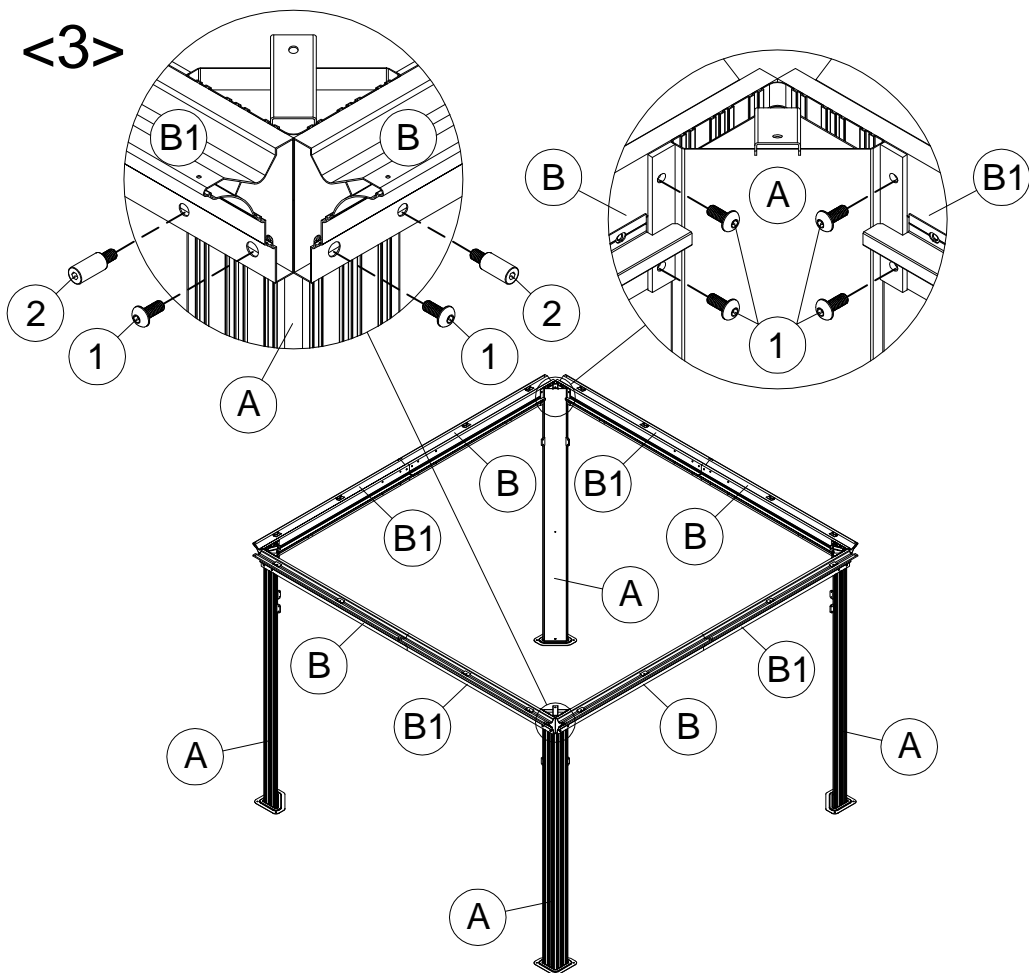
M6x15

1 24x



2 8x

<3>



H 4x



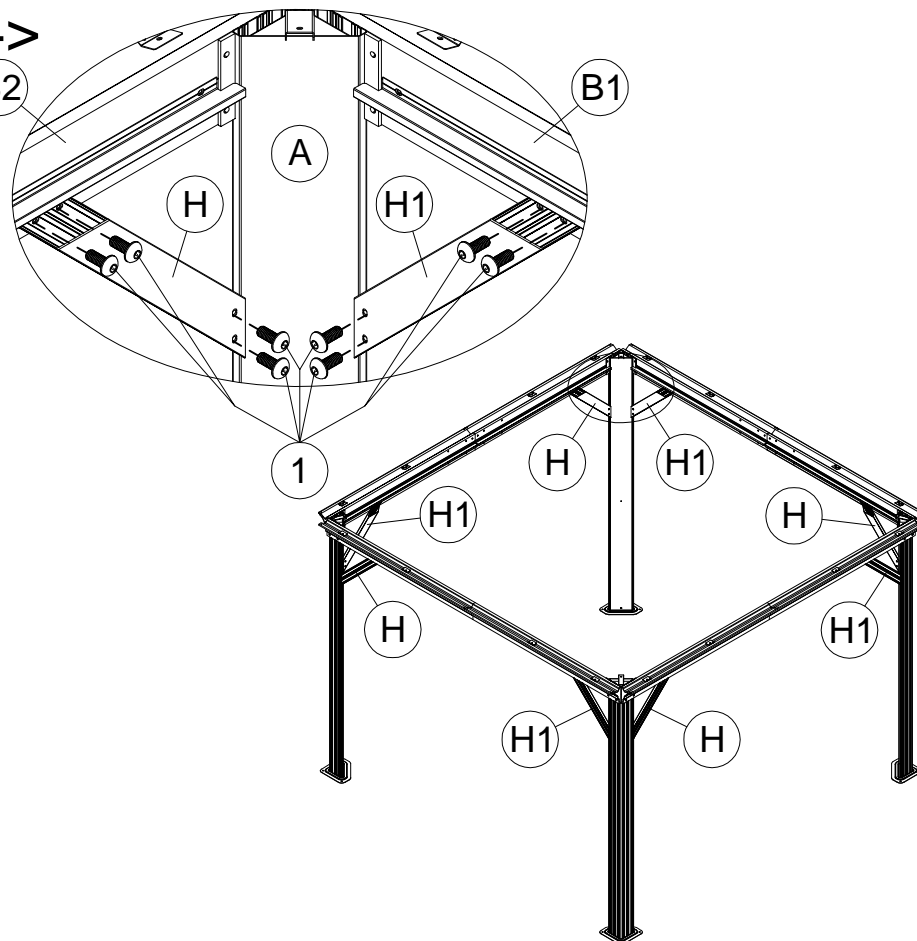
H1 4x



M6x15

1 32x

<4>

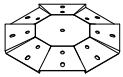


5



<5>

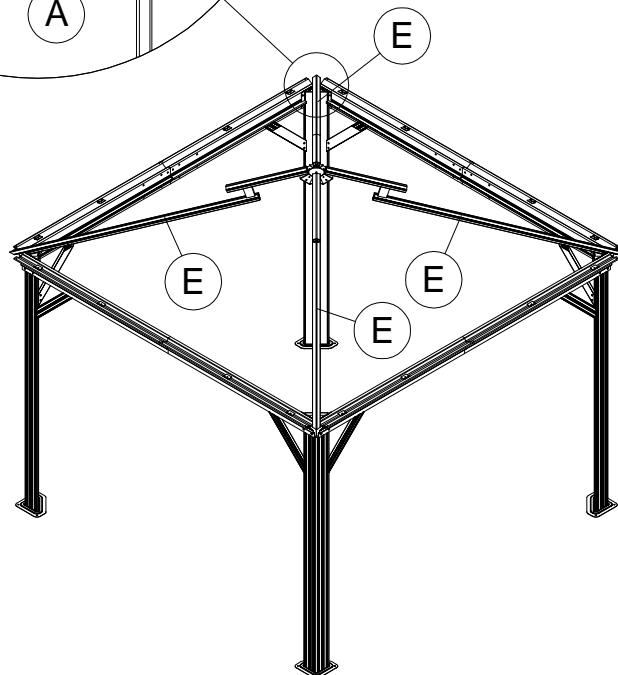
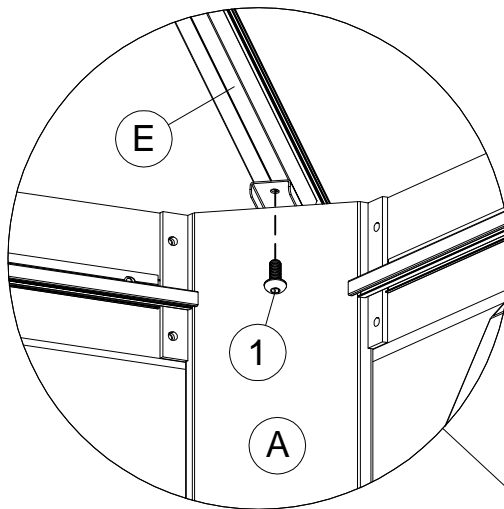
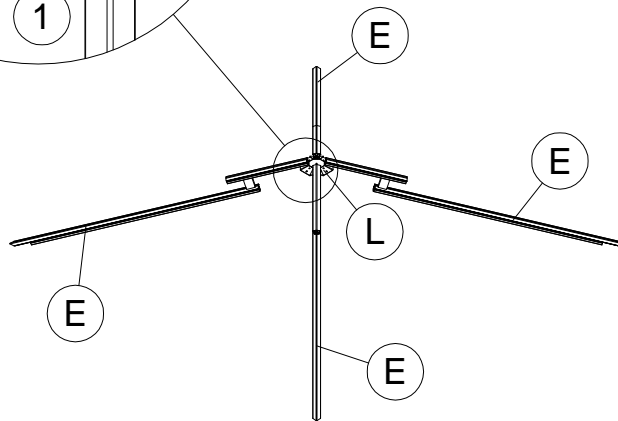
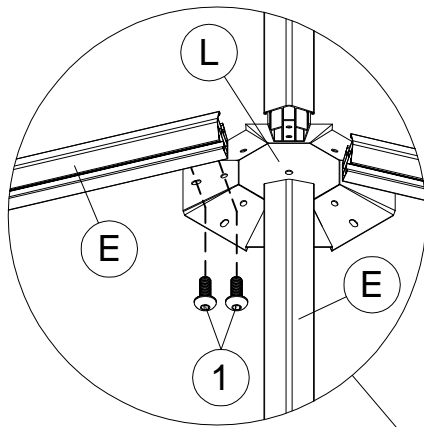
(E) 4x



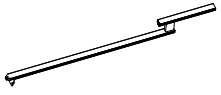
(L) 1x



(1) 12x M6x15



6

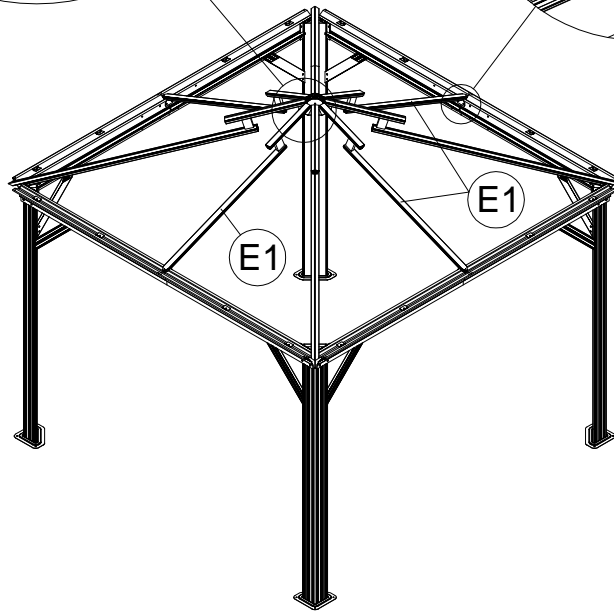
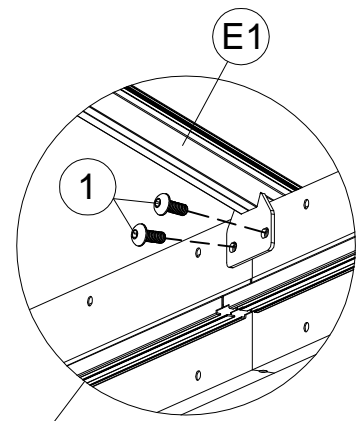
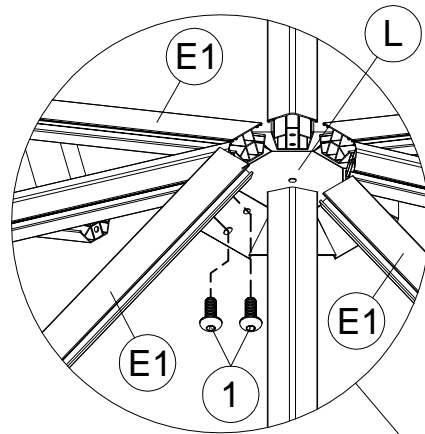


<6>

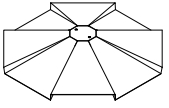
E1 4x



M6x15
1 16x



7

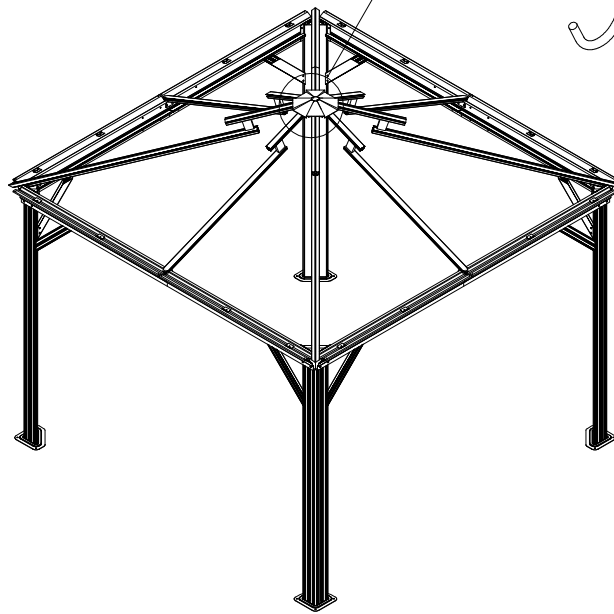
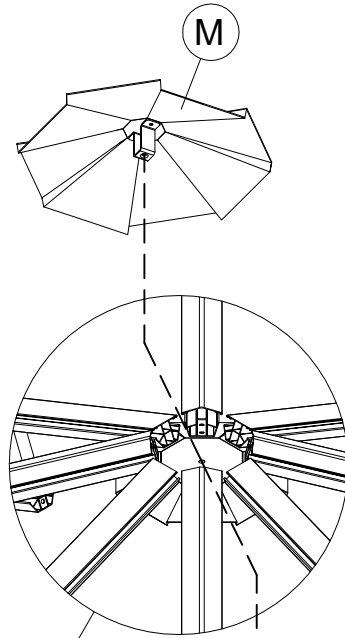


<7>

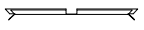
M 1x



5 1x



8



<8>

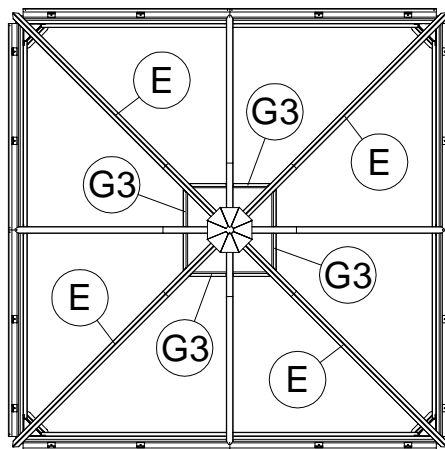
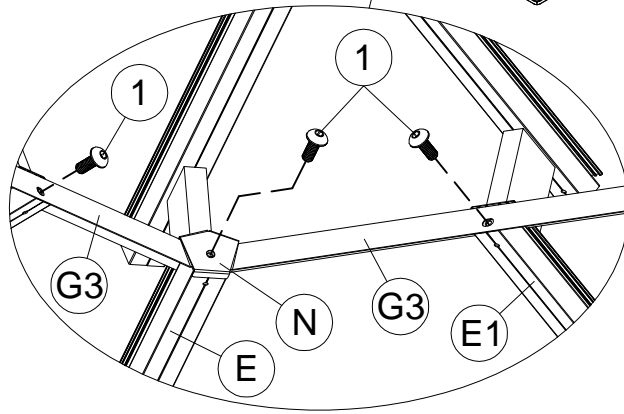
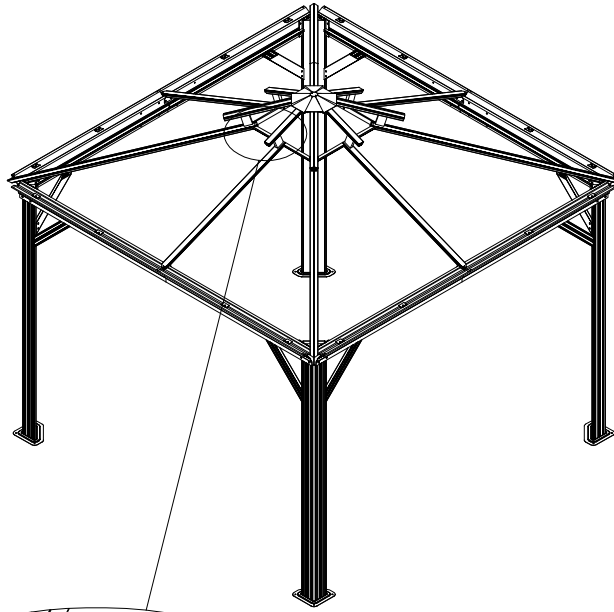
G3 4x



N 4x



1 8x M6x15



9

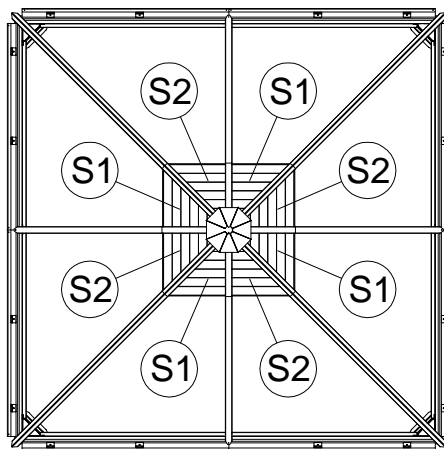
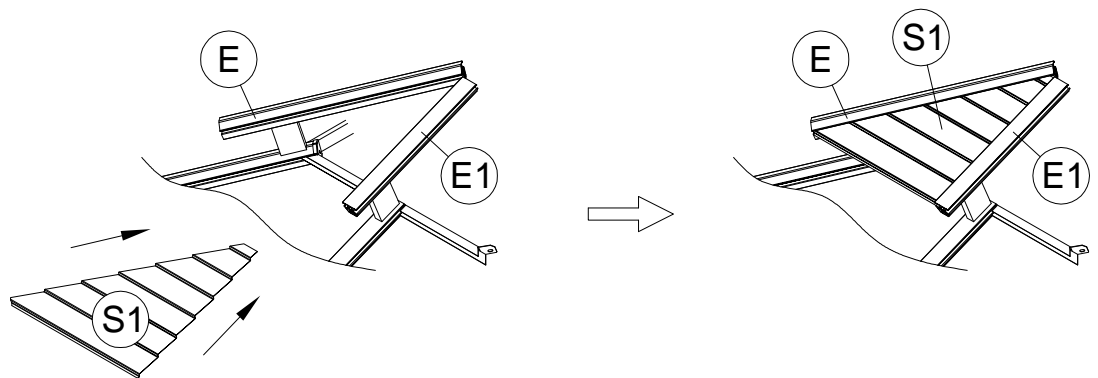
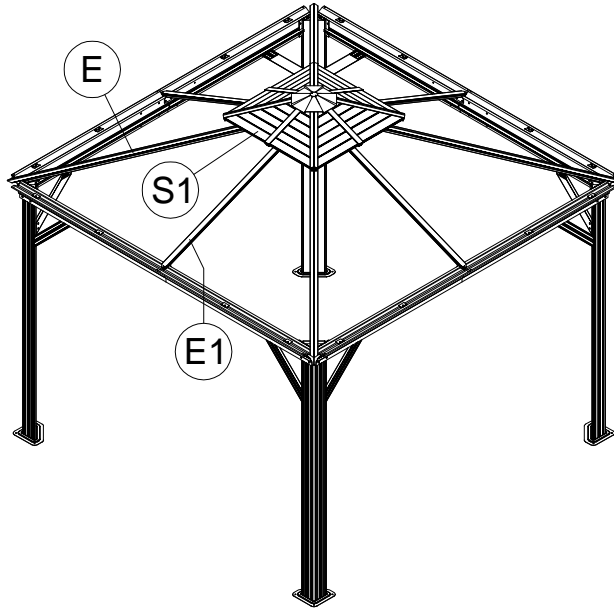


S1 4x



S2 4x

<9>



<10>



G1 4x



G2 4x



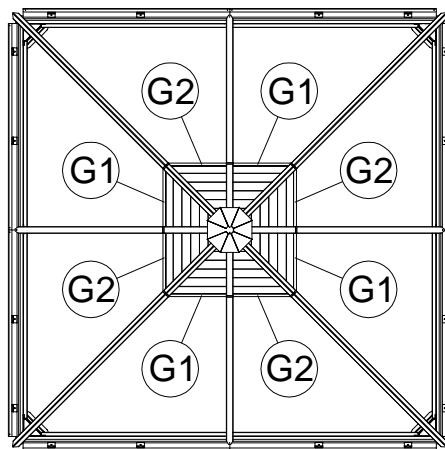
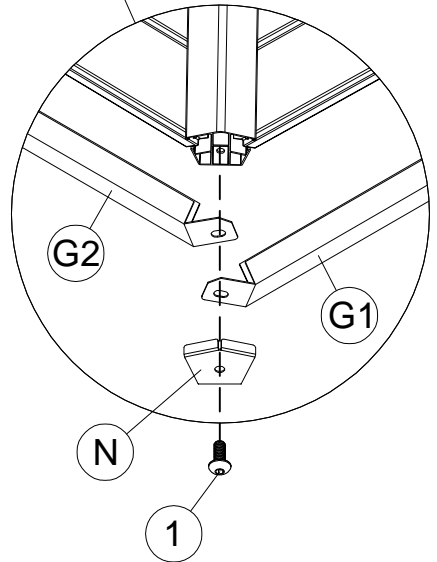
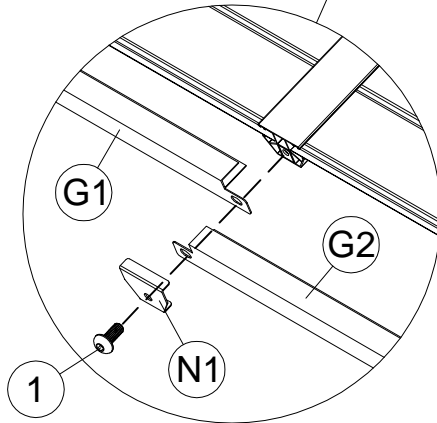
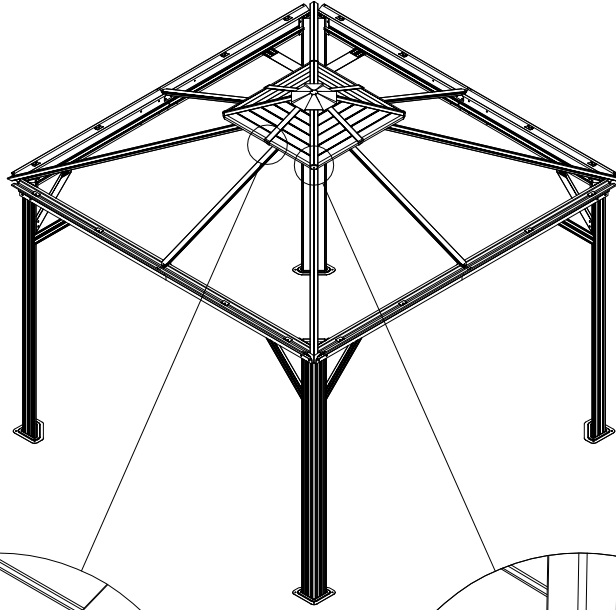
N 4x



N1 4x



1 8x M6x15

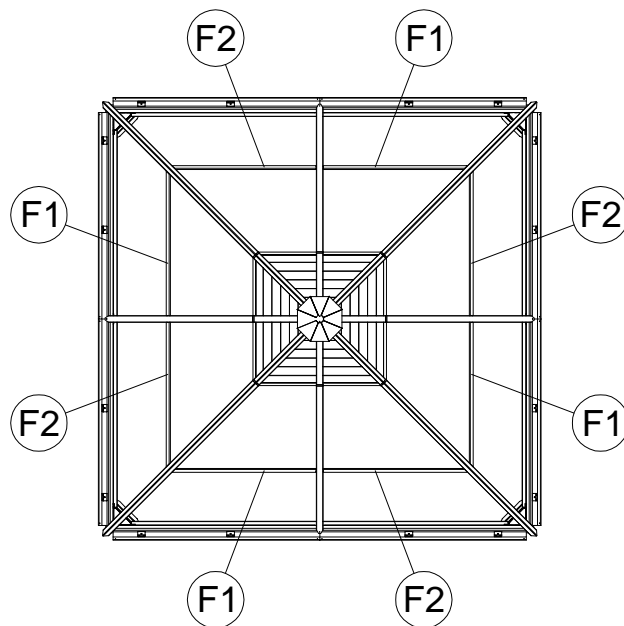
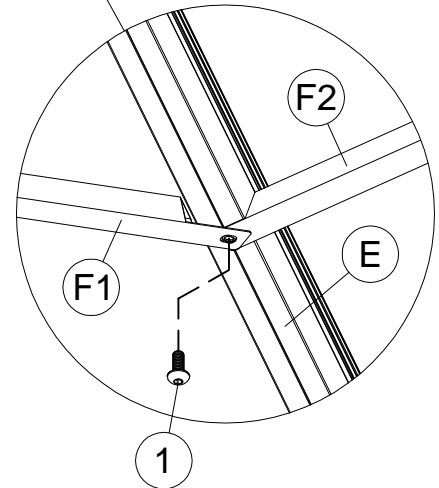
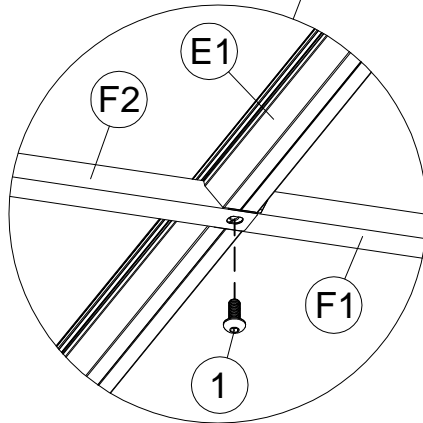
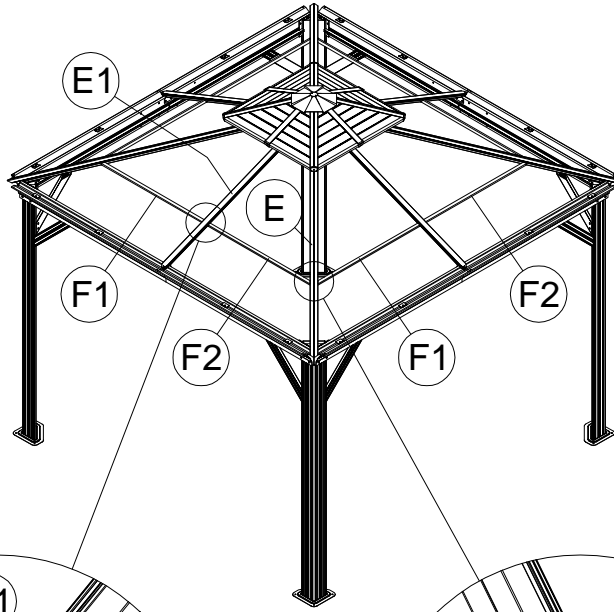


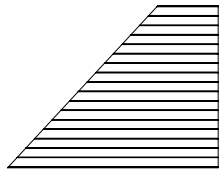
<11>

F1 4x

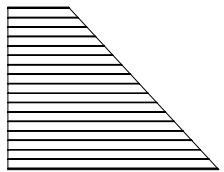
F2 4x

1 8x M6x15





Q1 4x



Q2 4x



N2 4x



W 16x



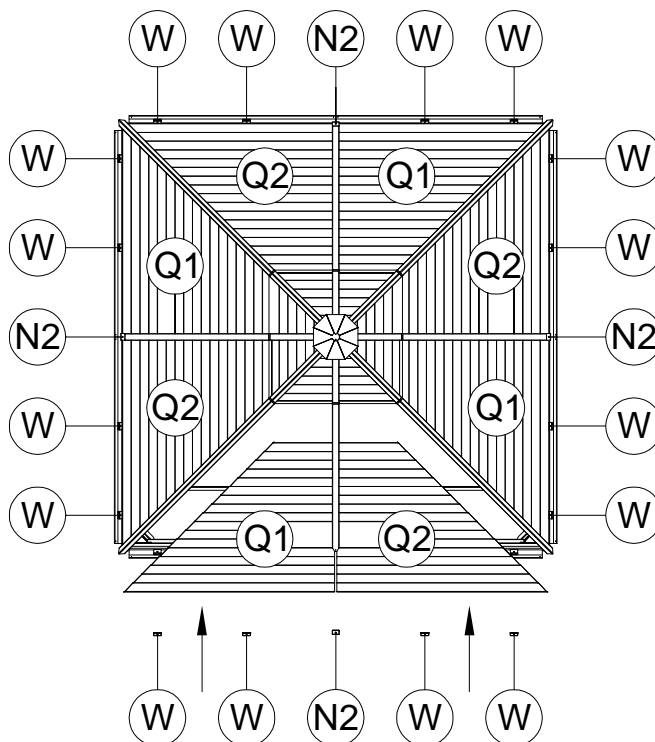
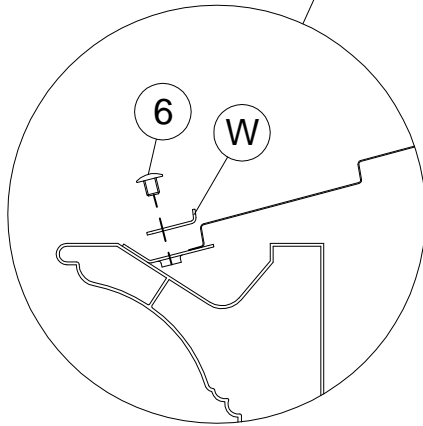
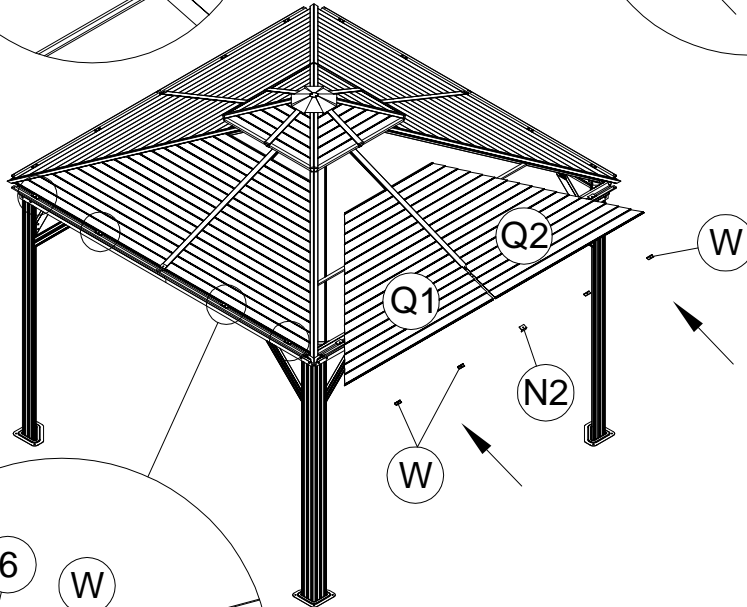
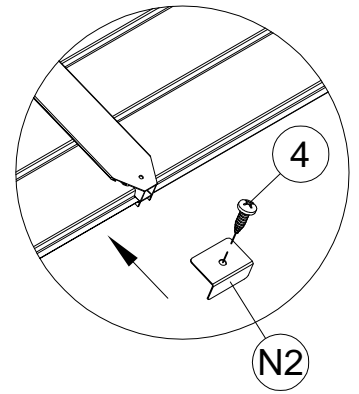
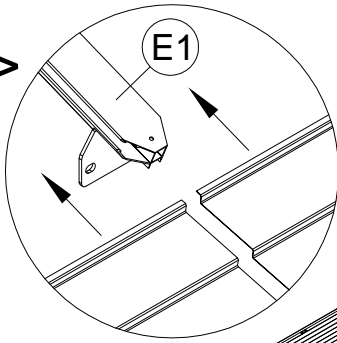
4 ST4.8x12
4x



6 M5x6
16x

13

<12>





<13>

R1 4x



R2 4x



Y 16x

<a>

R1

R2

R1

R2

R1 or R2

Q1 or Q2

Y

Q1 or Q2

R1 or R2

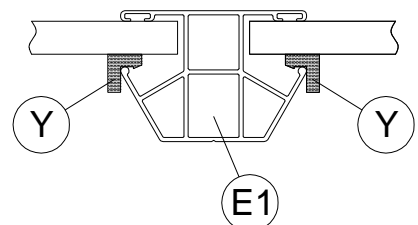
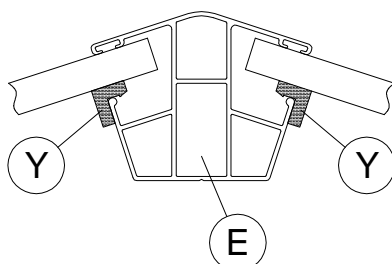
D or E

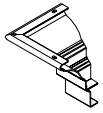
Y

Note:

1. Y is stuck in the position of the edges where the small piece (R1 or R2) and the large piece (Q1 or Q2) overlap.
2. R1 or R2 must pile up on the top of Q1 or Q2.

14





<14>

(K) 4x



(K1) 4x



(U) 96x



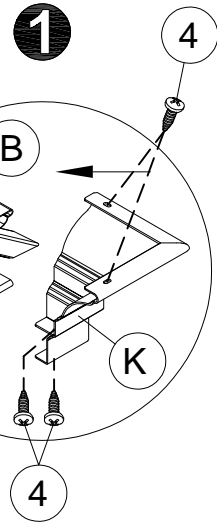
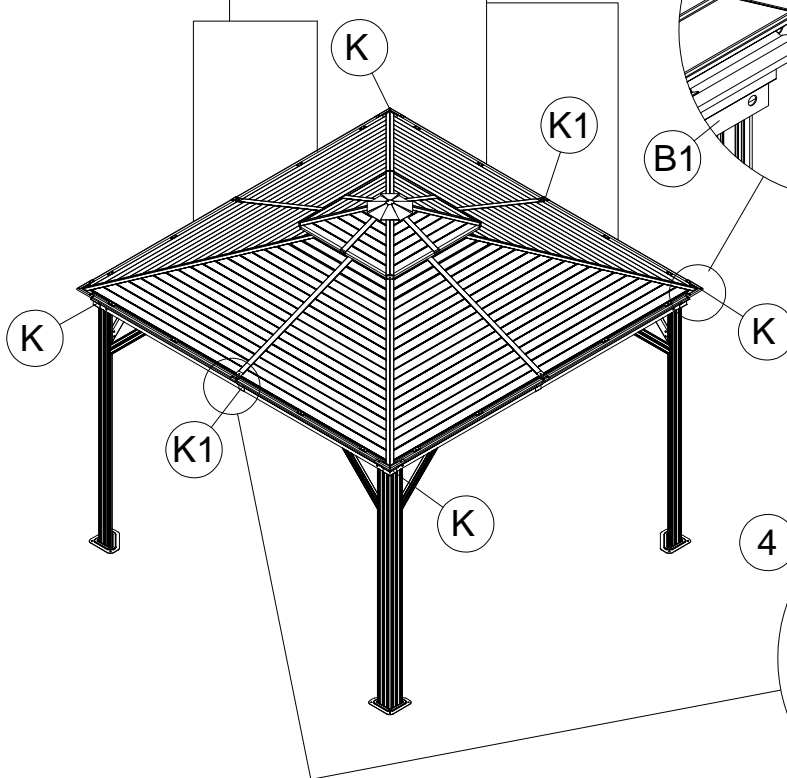
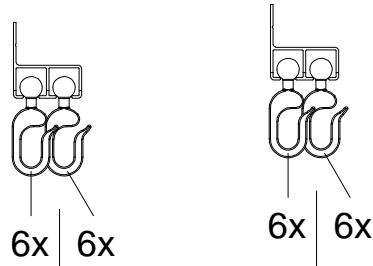
(V) 4x



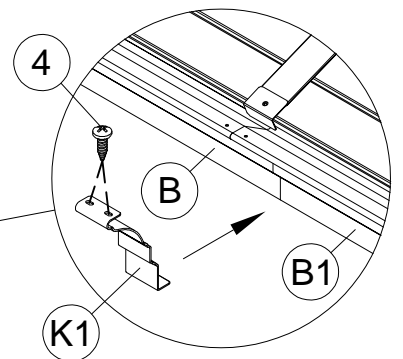
(3) 4x M5x12



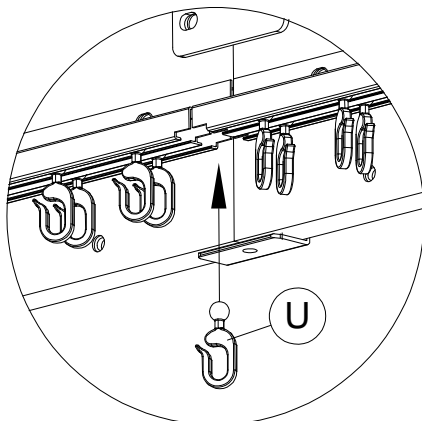
(4) 24x ST4.8x12



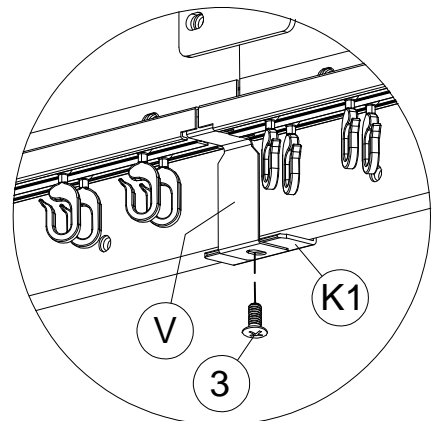
2

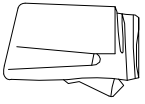


3



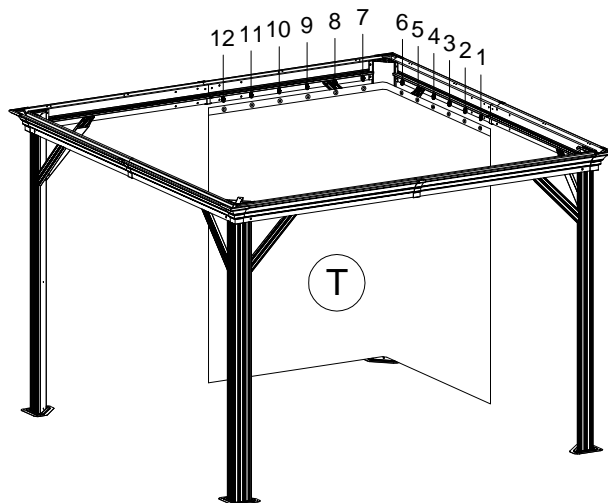
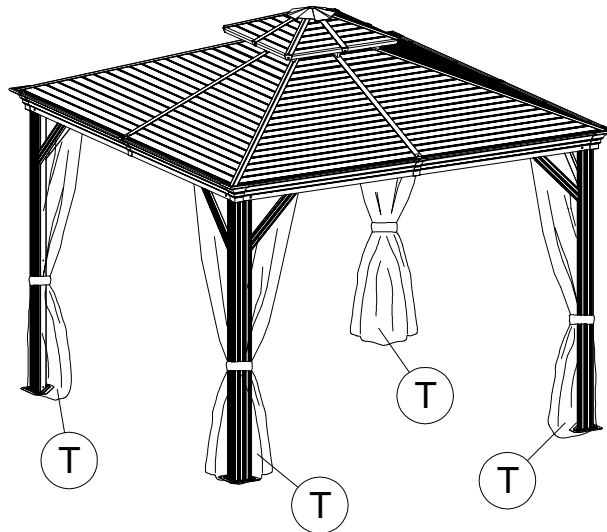
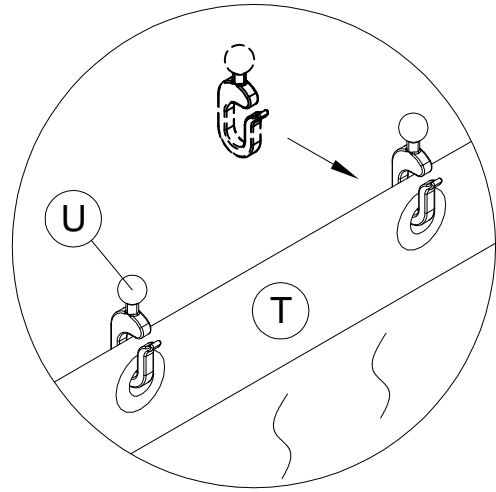
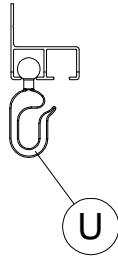
4

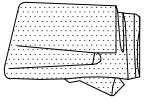




<15>

T 4x



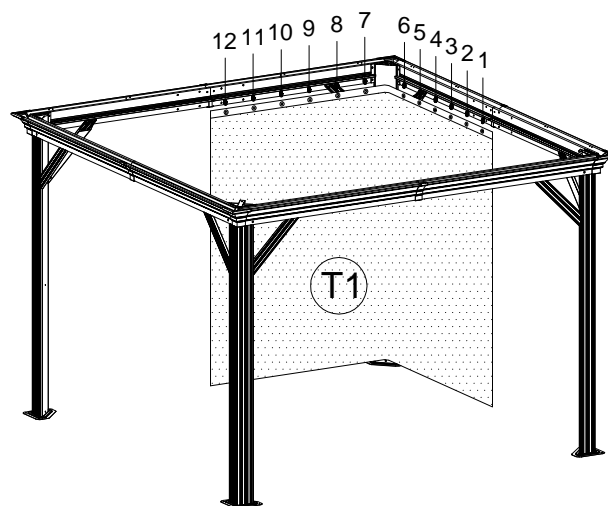
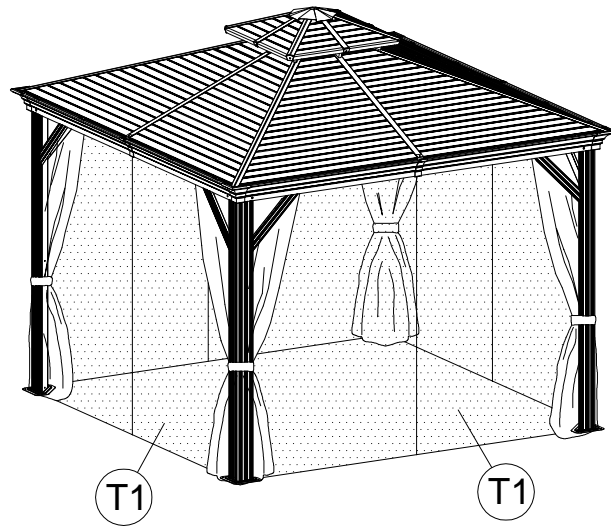
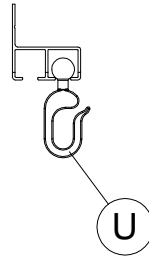
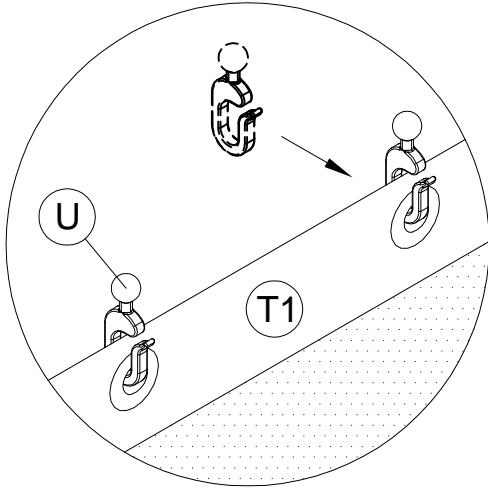
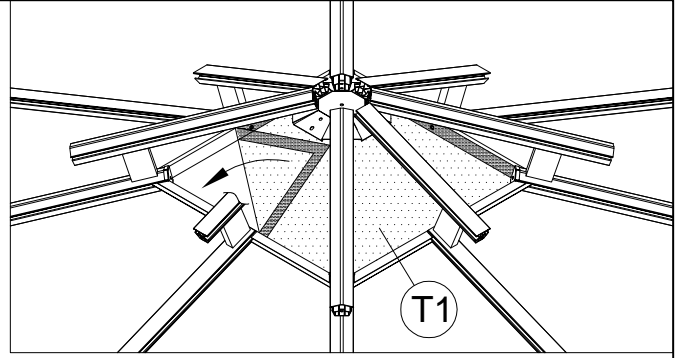


+



T1 4x + 1x

<16>

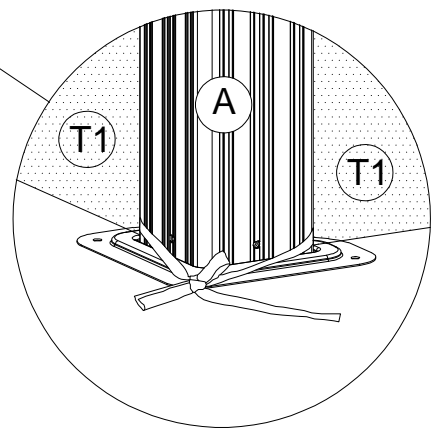
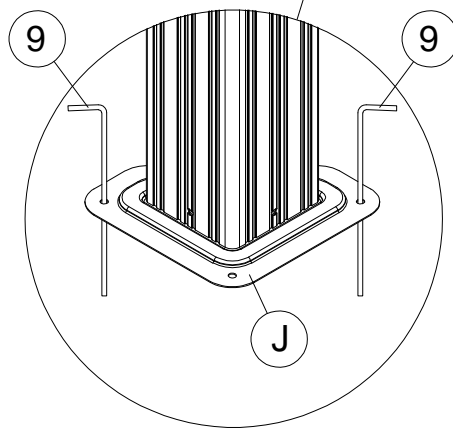
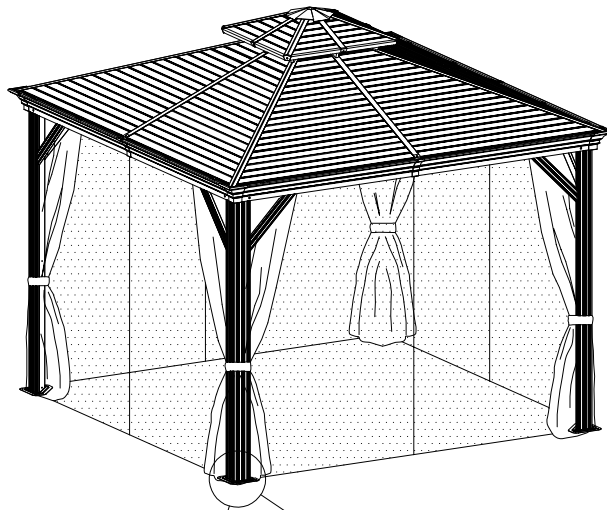


17



<17>

9 12x



Contact information

Austria



Belgium



Croatia



Denmark



Estonia



Finland



France



Germany



Ireland



Italy



Latvia



Lithuania



Nederland



Norway



Poland



Portugal



Spain



Sweden



Switzerland



UK

