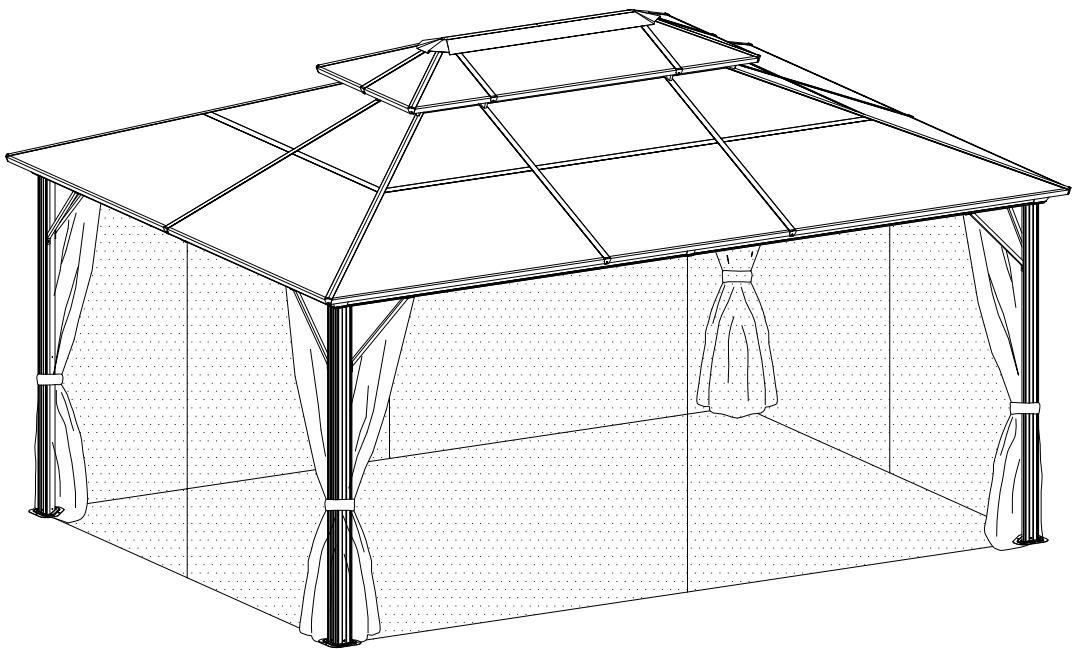


CosyLifeStyle[®]

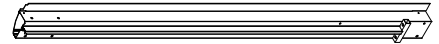
Manual
for
Gazebo Santa Ana
3,65x4,85m

3.65 x 4.85 M

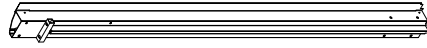




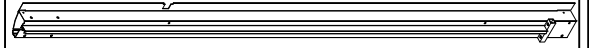
(A) 4x



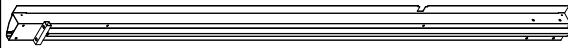
(B) 2x



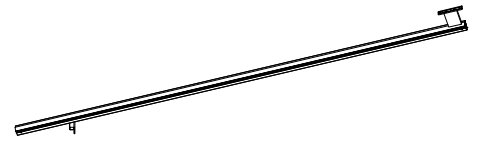
(B1) 2x



(C) 2x



(C1) 2x



(D) 4x



(D1) 4x



(E) 6x



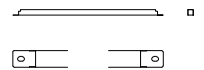
(E1) 6x



(D3) 4x



(D4) 4x



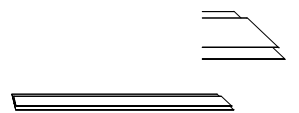
(D5) 2x



(F) 2x



(F1) 4x



(F2) 4x



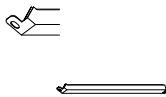
(G) 4x



(G1) 4x



(G2) 4x



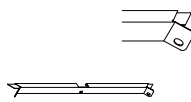

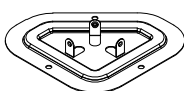
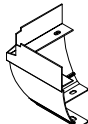

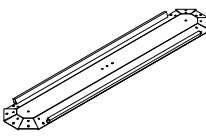
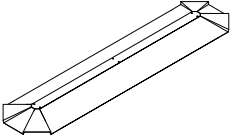


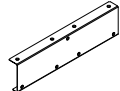
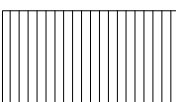
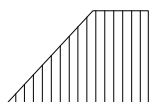
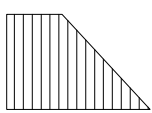
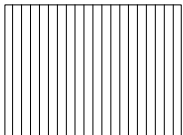
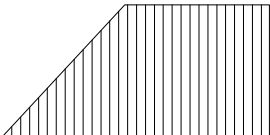
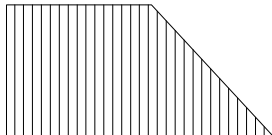
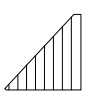
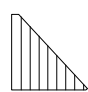
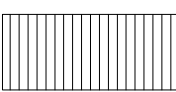
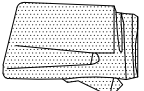
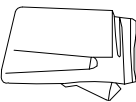

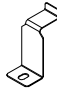






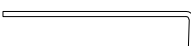
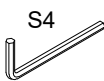
(G3) 4x



(G4) 4x



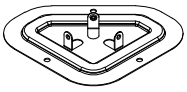
(G6) 2x

			
G5 2x	H 12x	J 4x	K 4x
			
K1 4x	L 1x	M 1x	N 12x
			
N1 12x	P 4x	Q 2x	Q1 4x
			
Q2 4x	R 2x	R1 4x	R2 4x
			
R3 4x	R4 4x	R5 2x	S 4x
			
T 4x	U 128x	V 4x	P1 4x
			
M6x15 1 177x	M6x35 2 16x	M5x12 3 4x	ST4.8x12 4 24x
			
5 2x	9 12x	S4 1x	

<1>



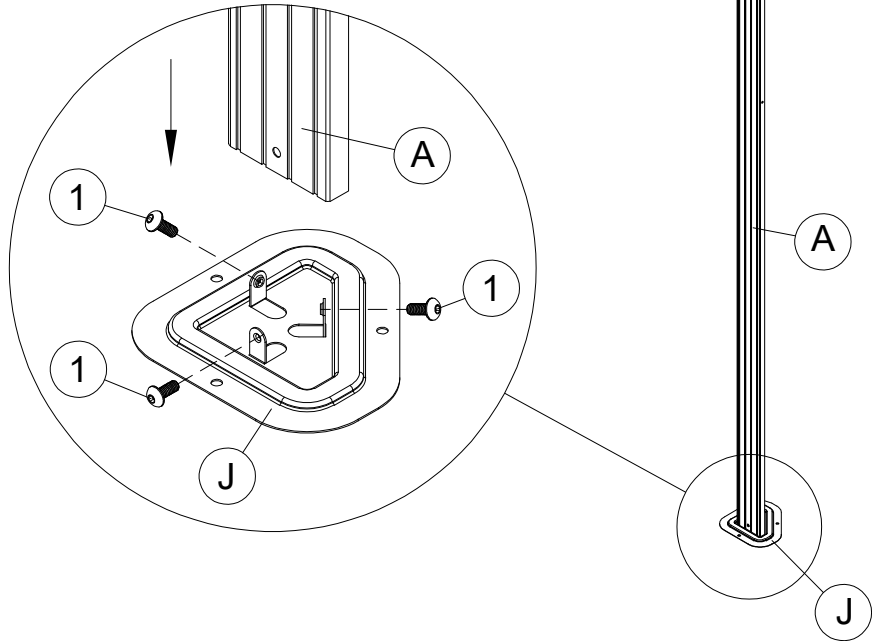
A 4x



J 4x

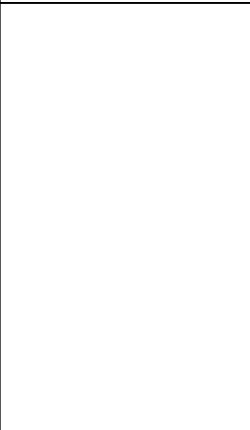
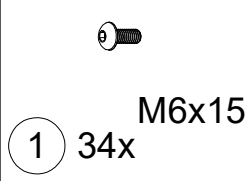
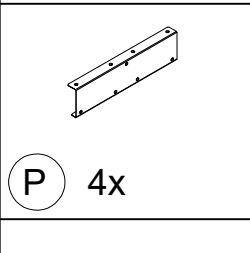
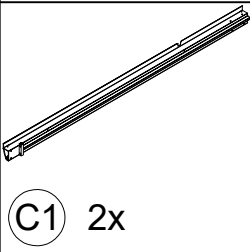
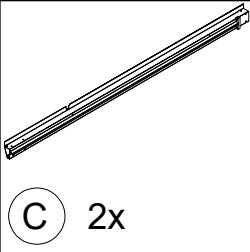
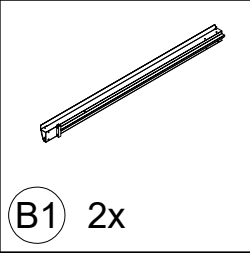
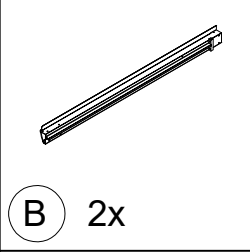


1 12x M6x15

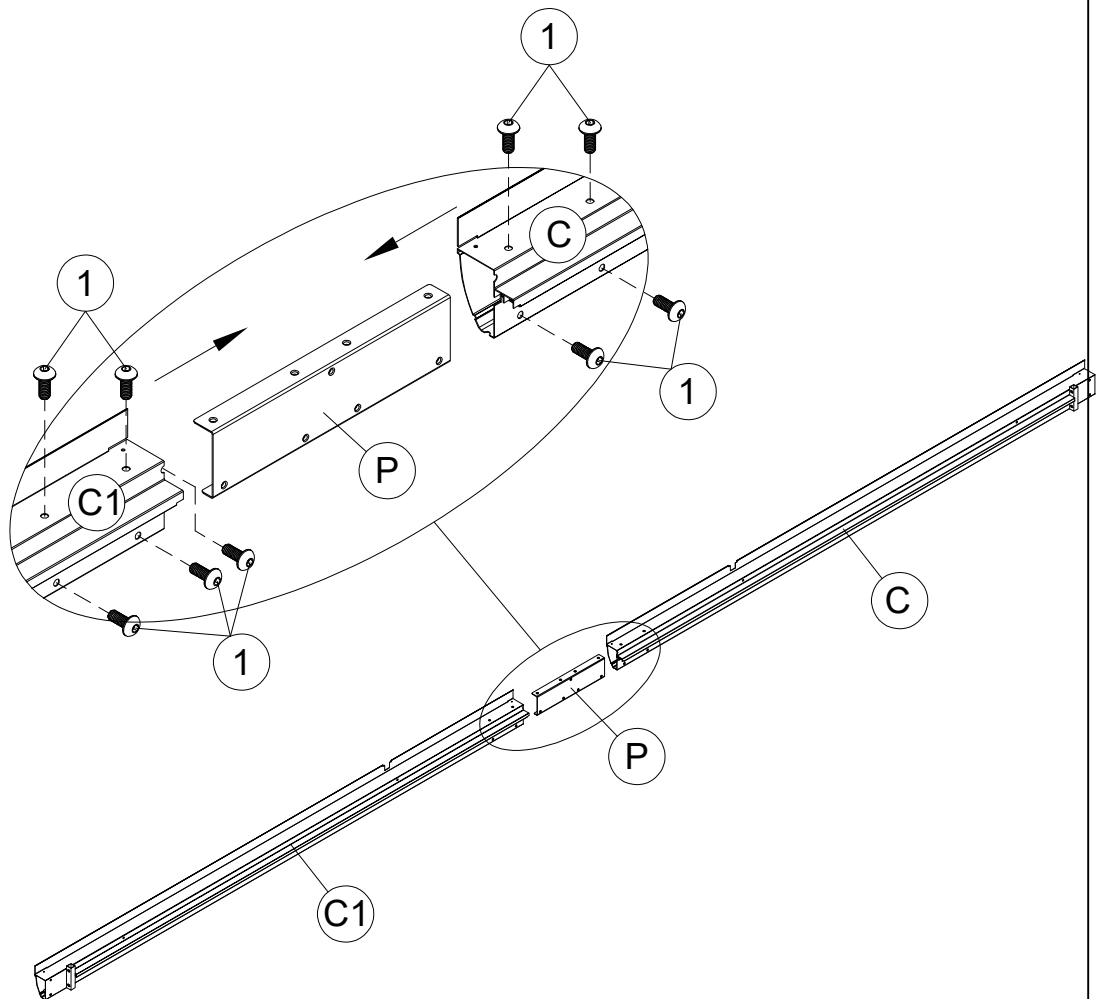
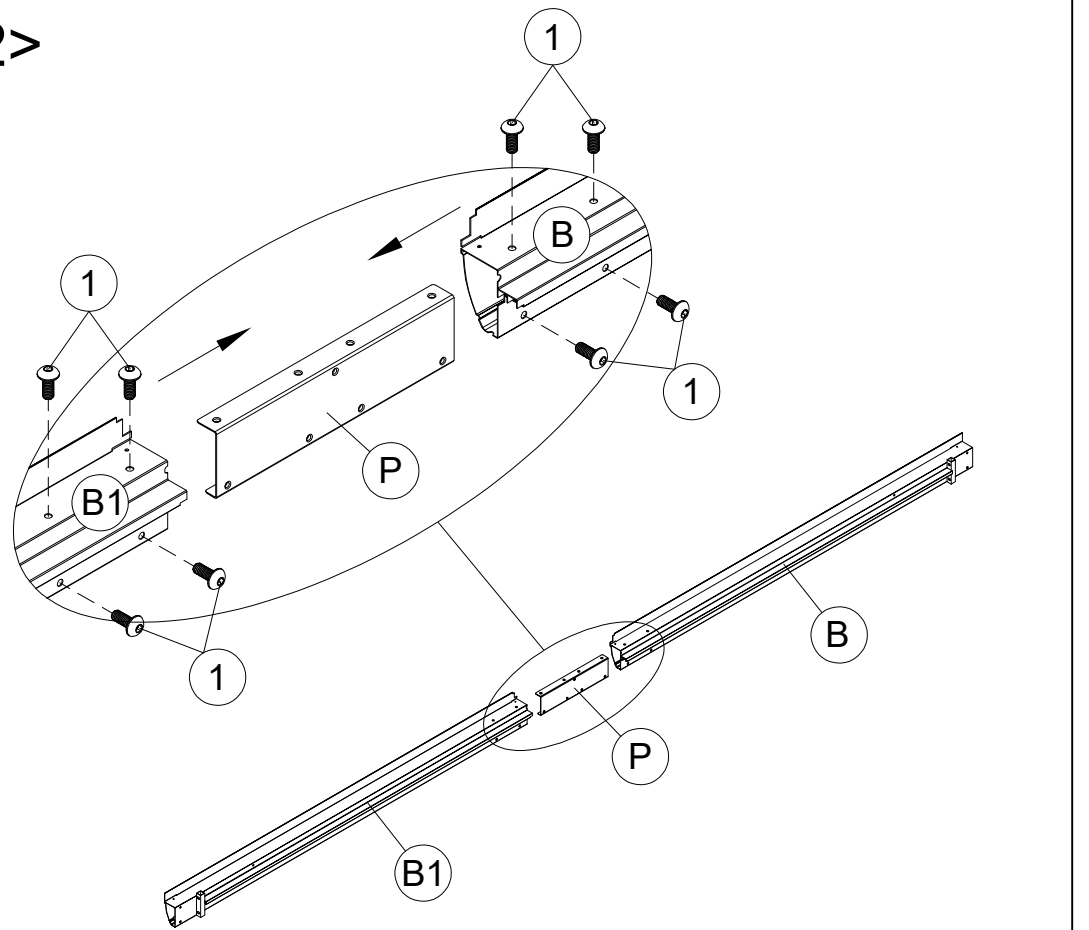


4

<2>



5



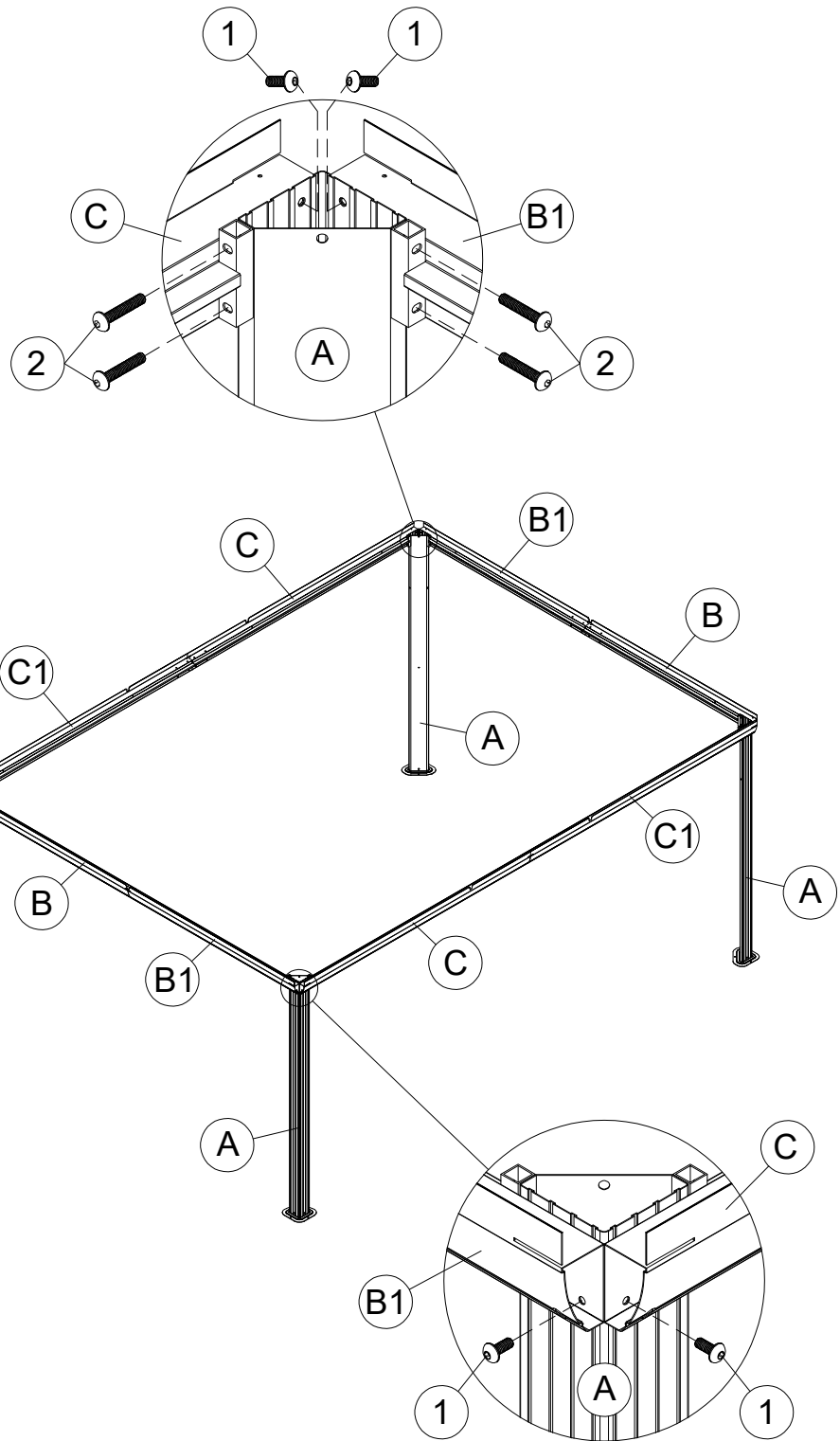


<3>

1 M6x15
16x

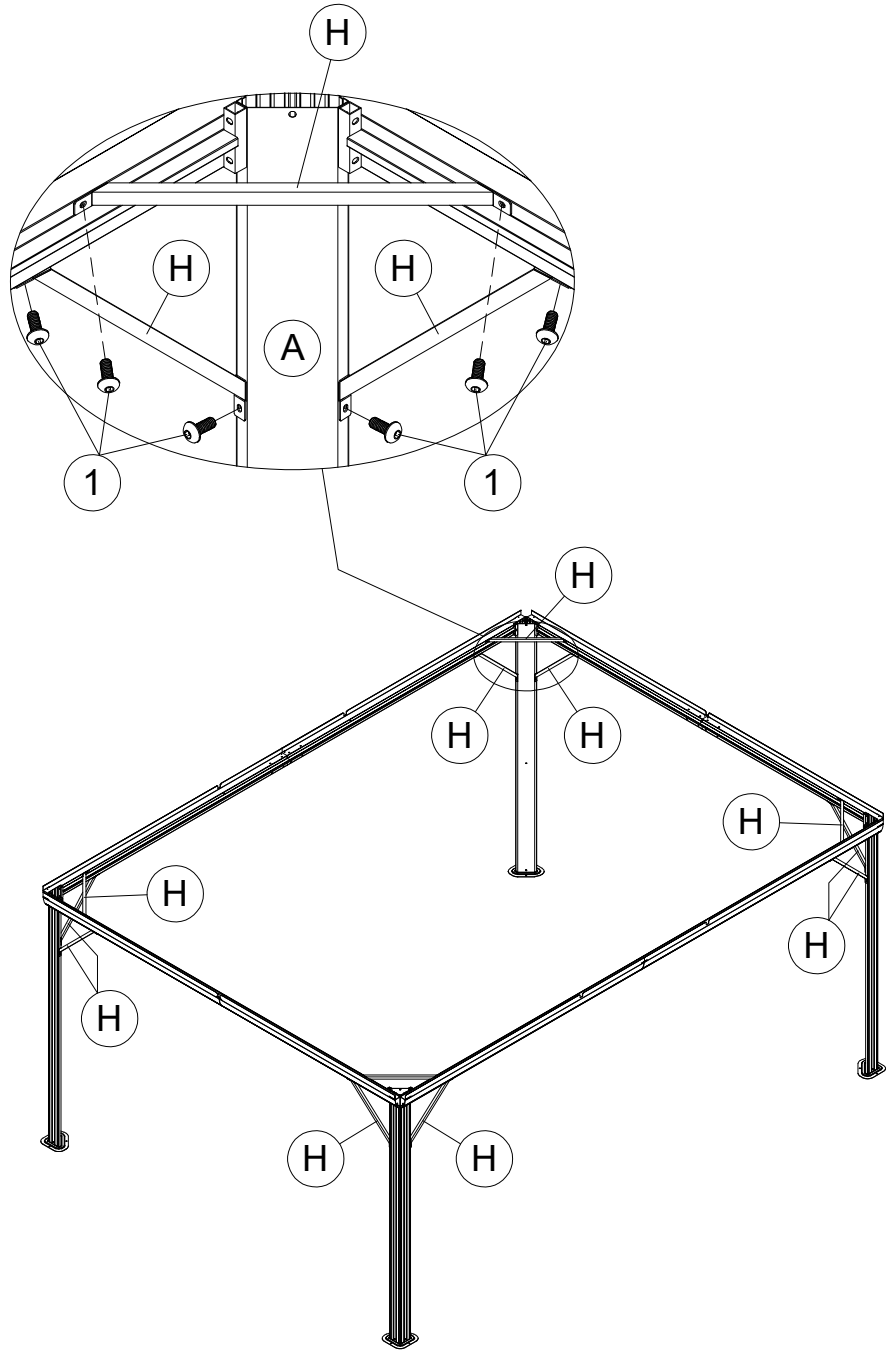
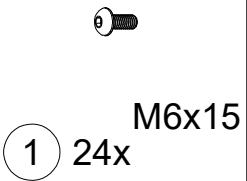
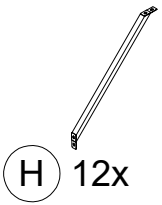


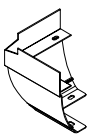


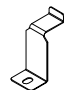


2 M6x35
16x

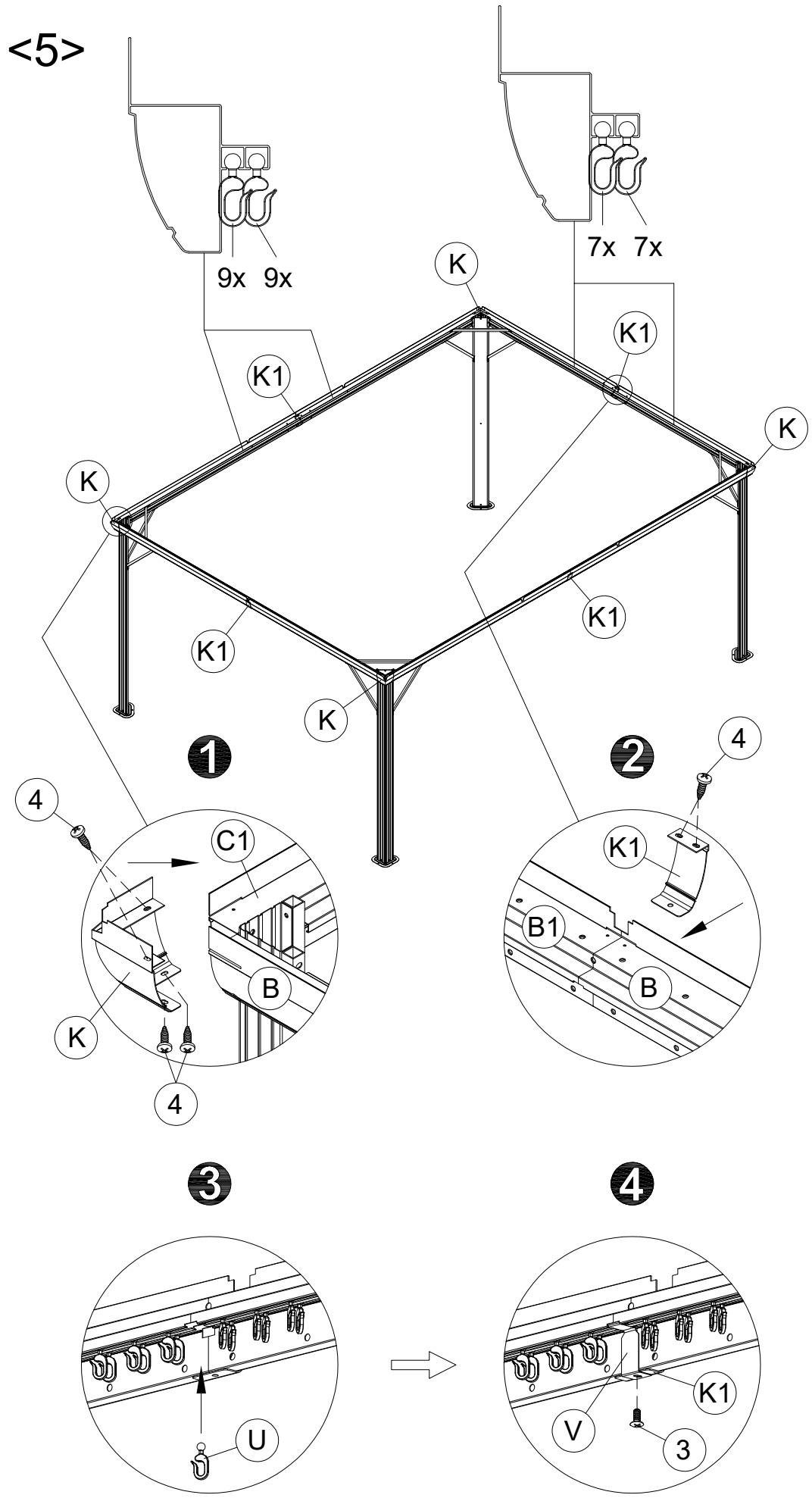


6

<4>




(K) 4x

(K1) 4x

(U) 128x

(V) 4x

(3) 4x M5x12

(4) 24x ST4.8x12
8



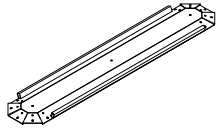
<6>



D 4x



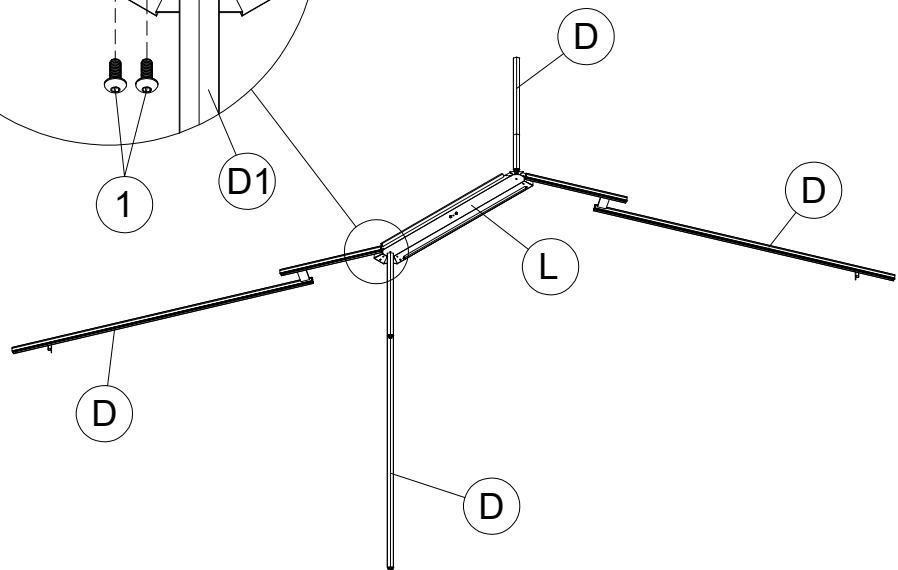
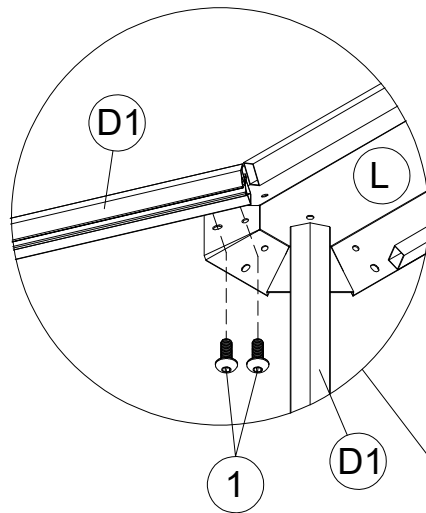
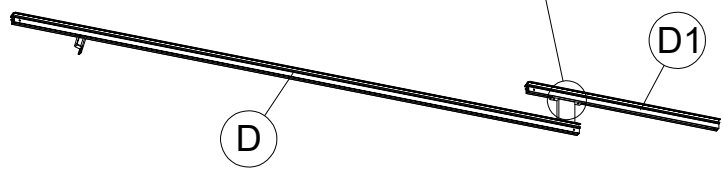
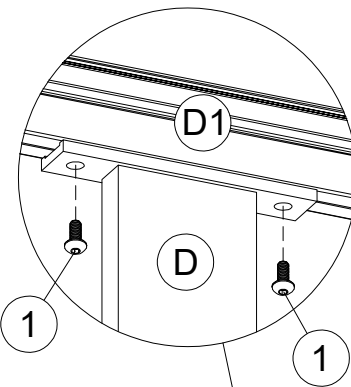
D1 4x



L 1x



1 16x M6x15



9

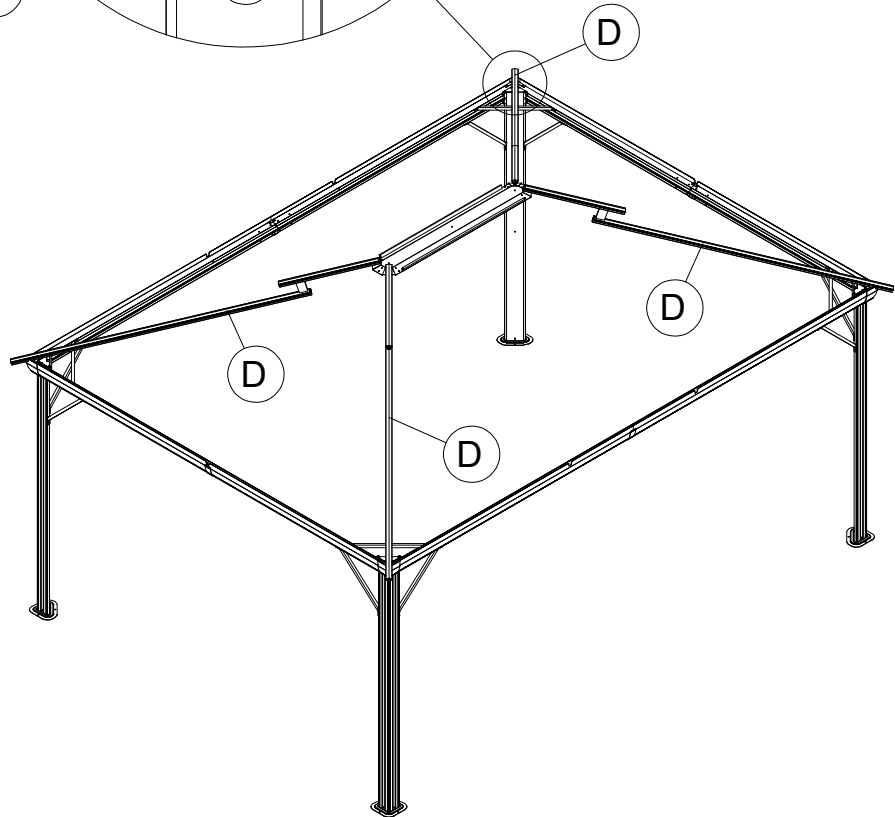
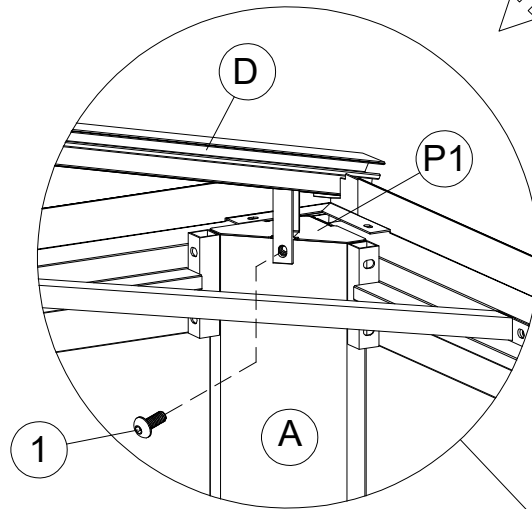
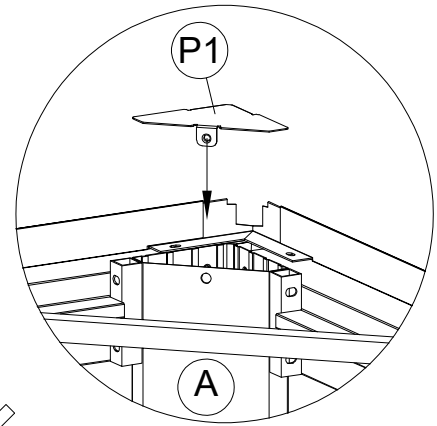


<7>

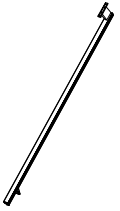
P1 4x



1 4x M6x15



<8>



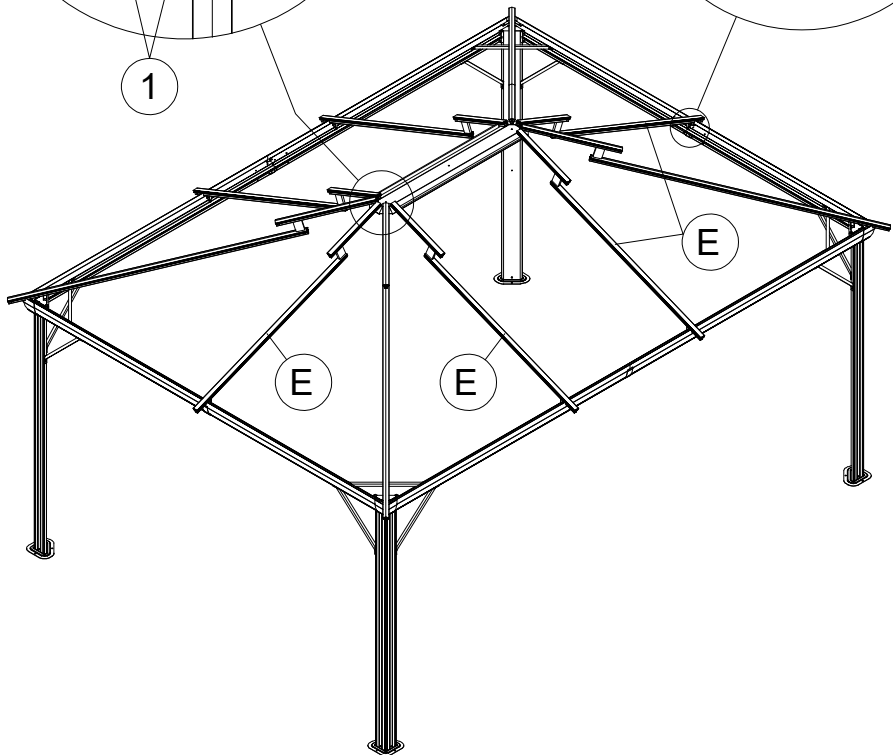
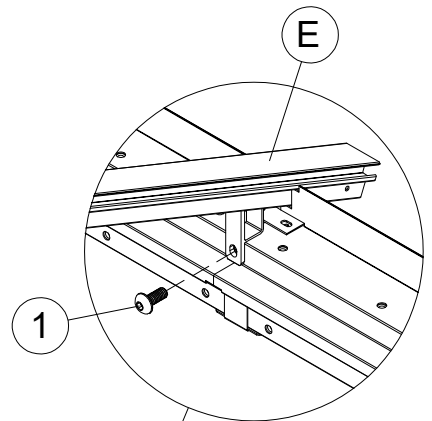
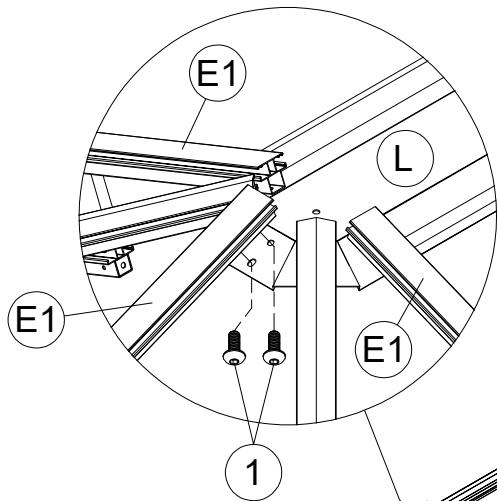
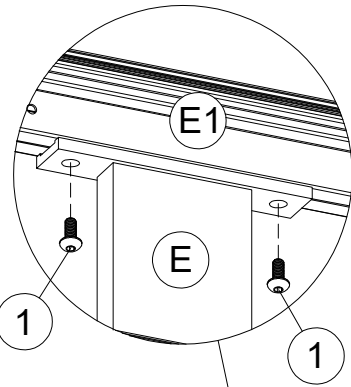
E 6x



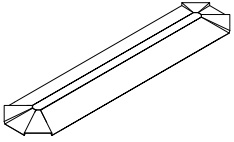
E1 6x



1 30x M6x15



11



M 1x

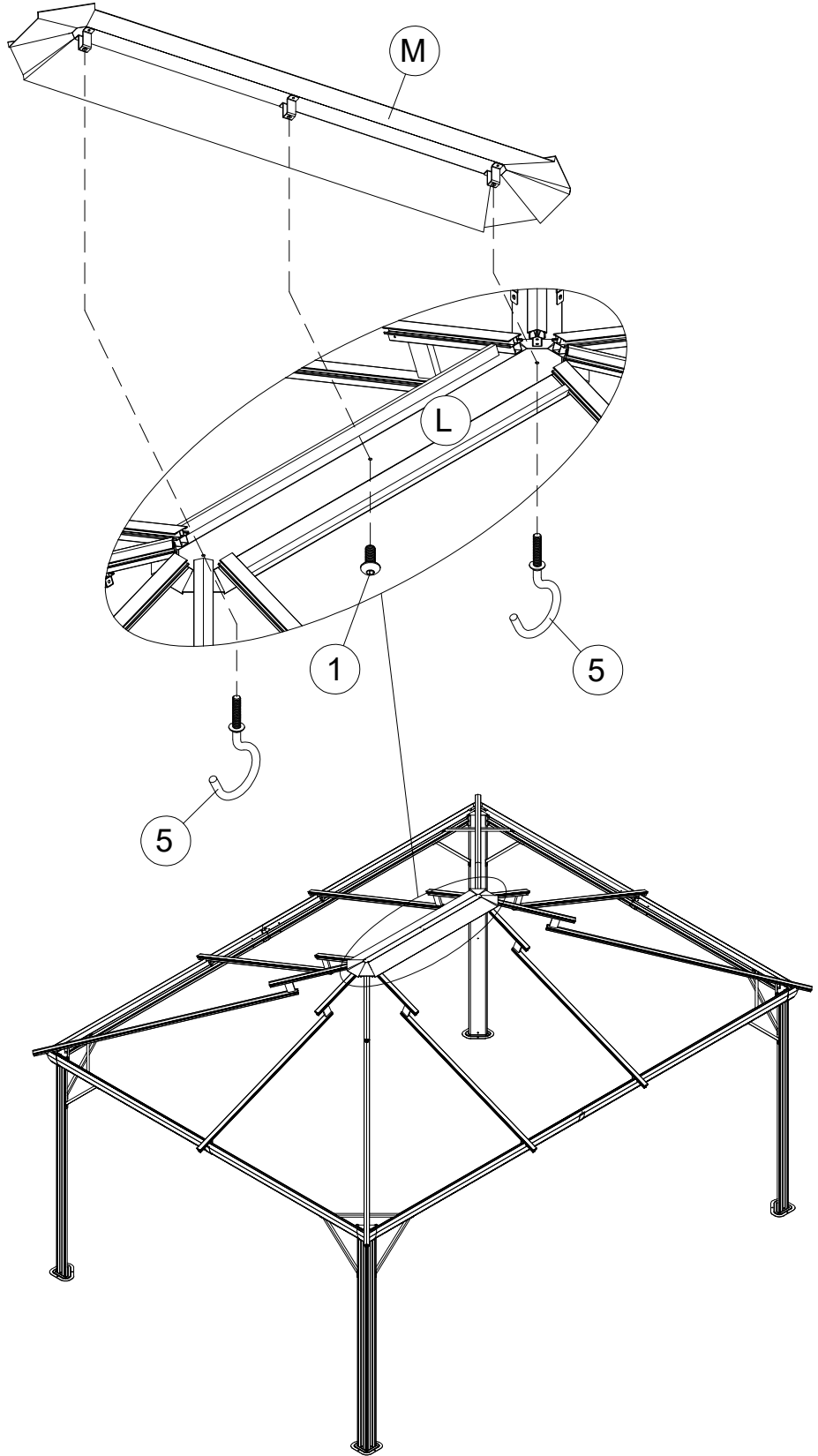


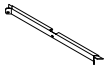
1 M6x15
1x



5 2x

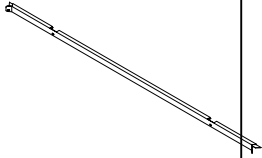
<9>





<10>

G5 2x



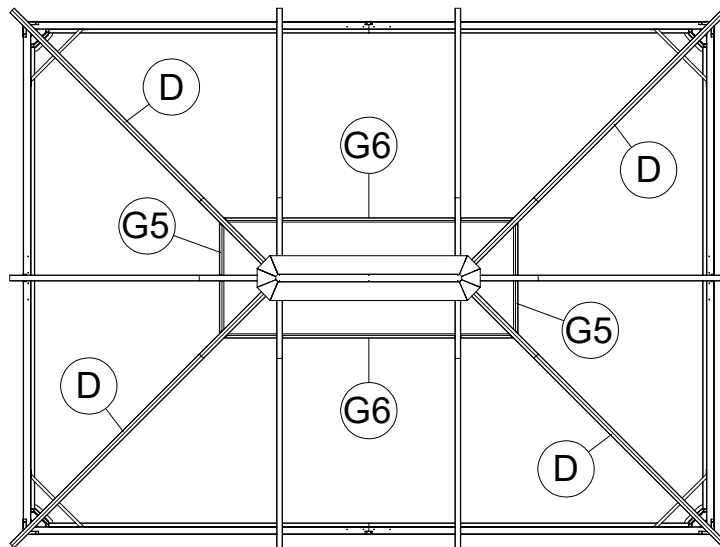
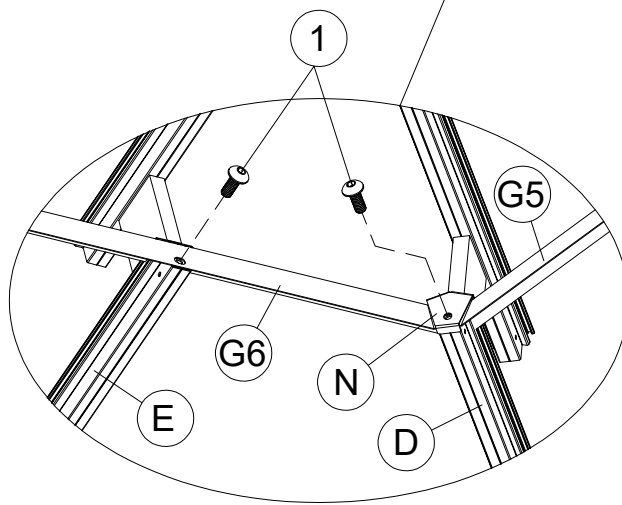
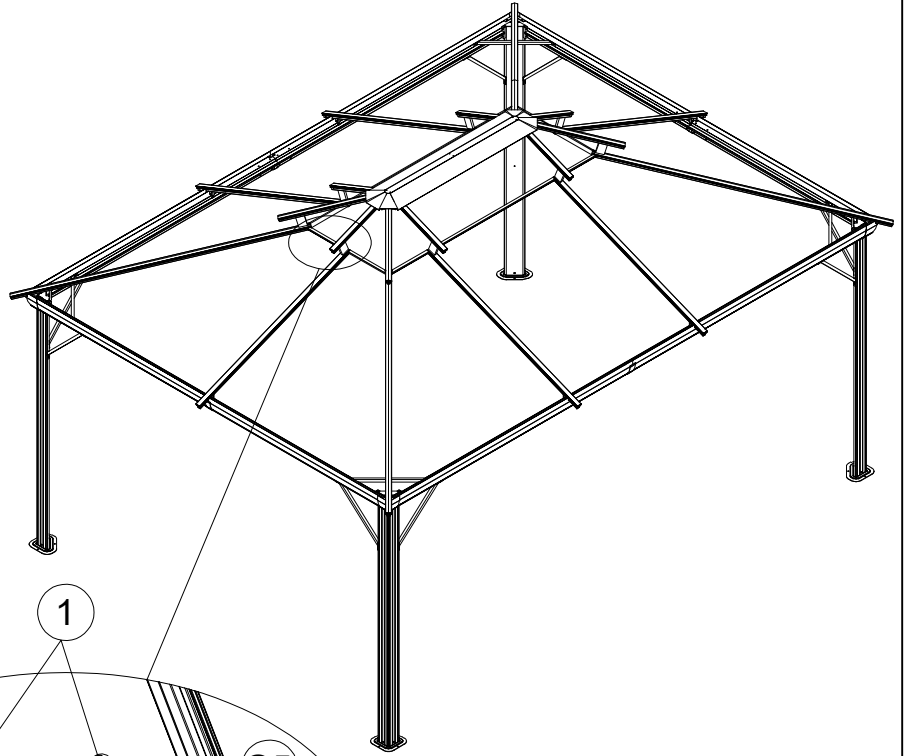
G6 2x



N 4x



1 10x M6x15

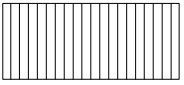




R3 4x

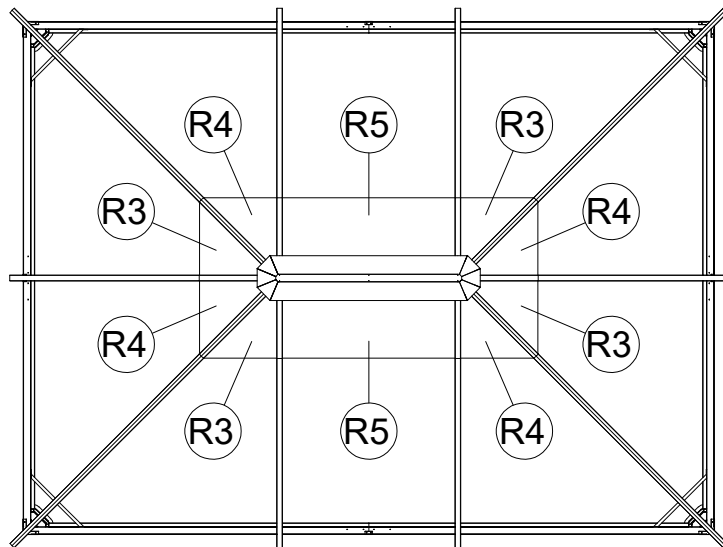
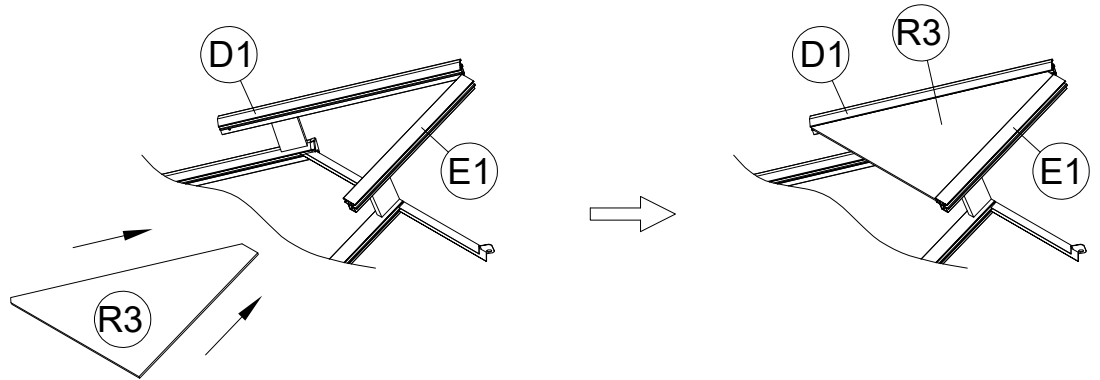
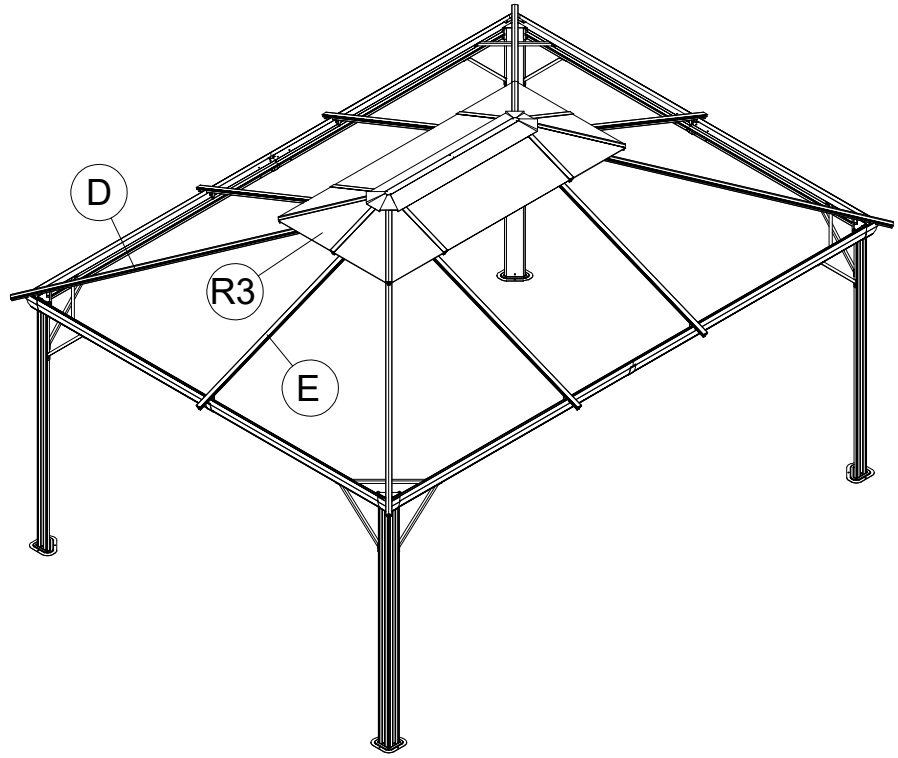


R4 4x

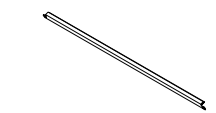


R5 2x

<11>



<12>



G 2x



G3 4x



G4 4x



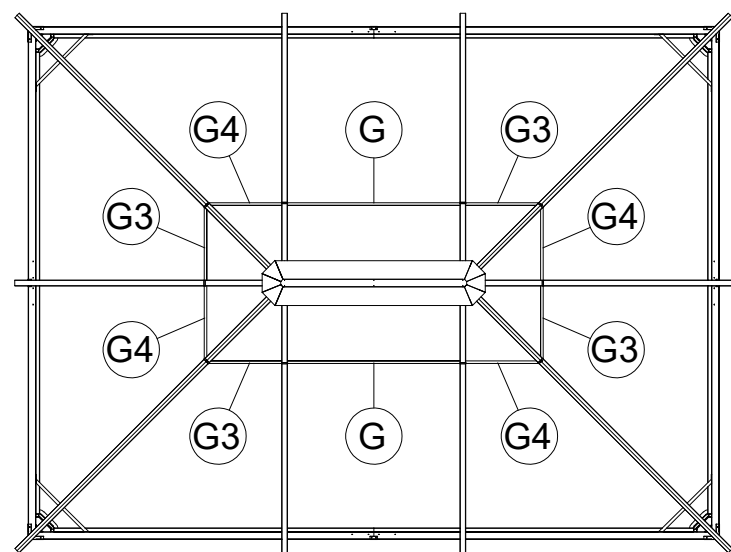
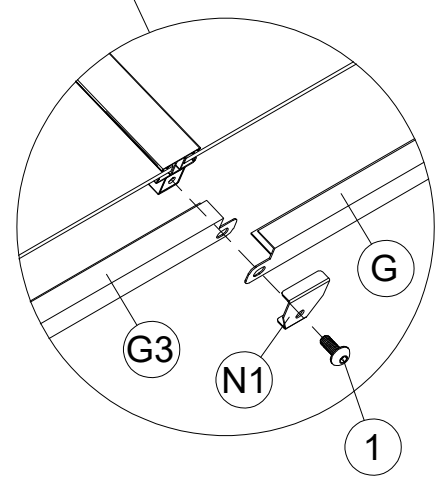
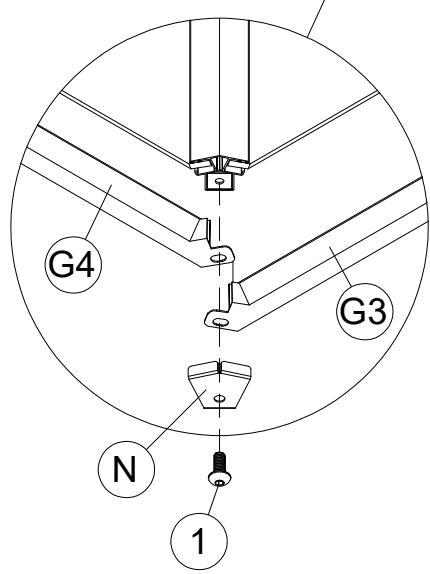
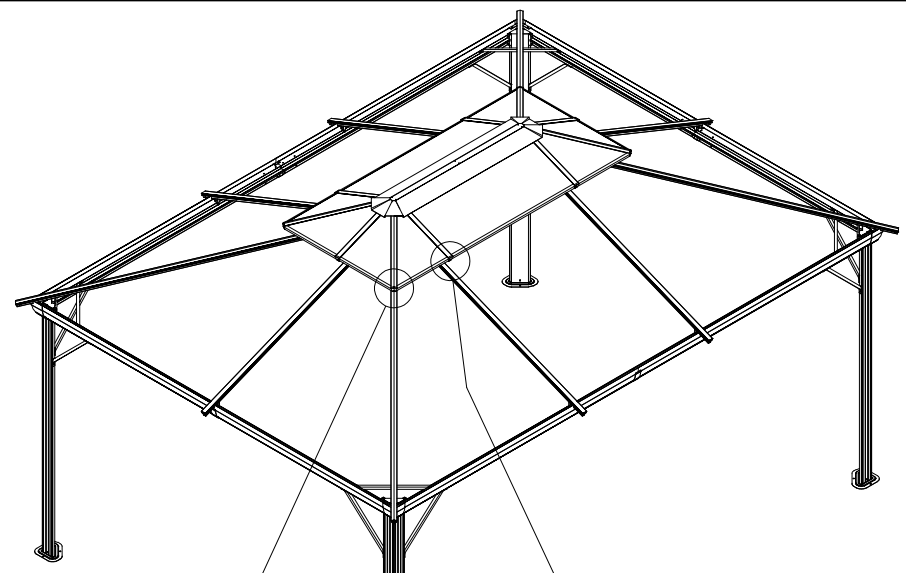
N 4x



N1 6x



1 10x M6x15



15

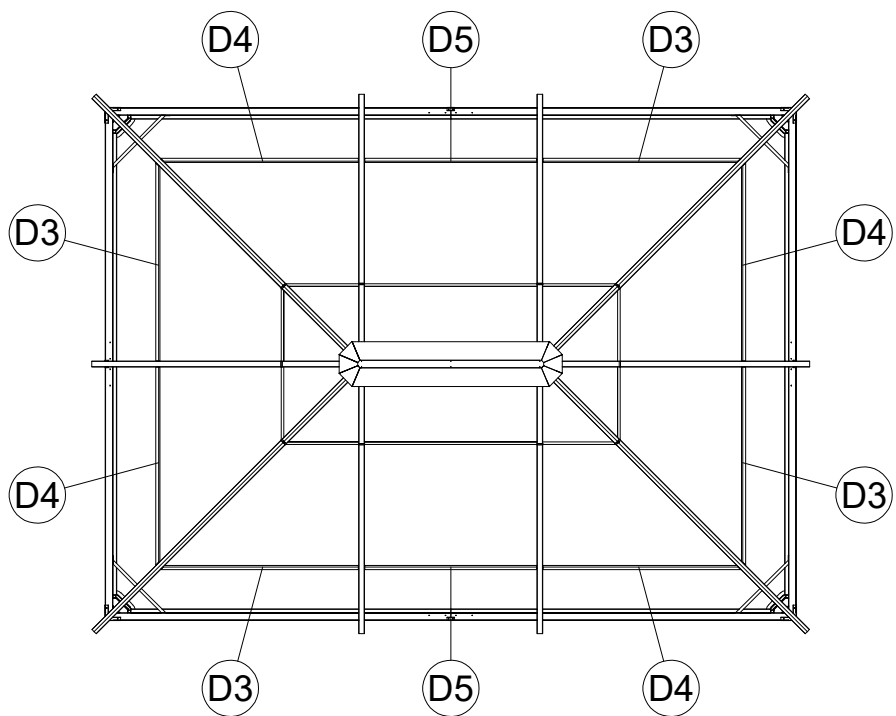
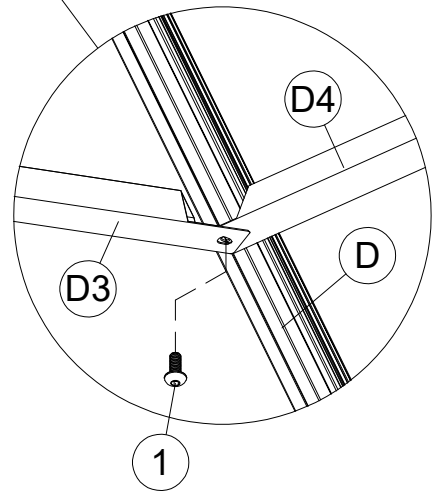
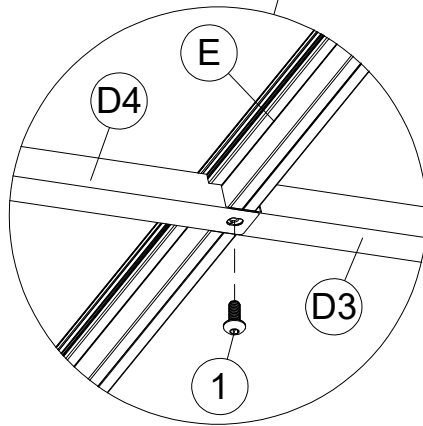
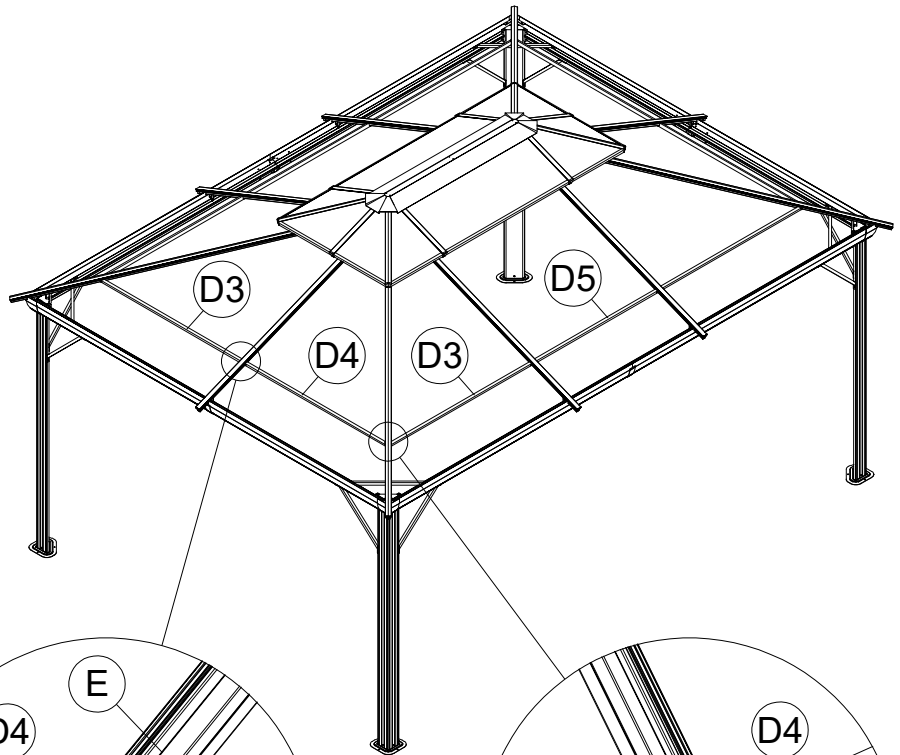
<13>

D3 4x

D4 4x

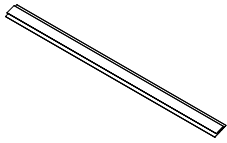
D5 2x

1 10x M6x15

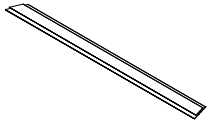


16

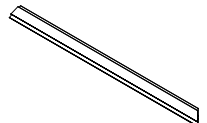
<14>



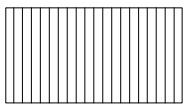
F 2x



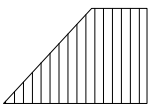
F1 4x



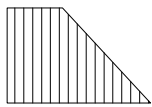
F2 4x



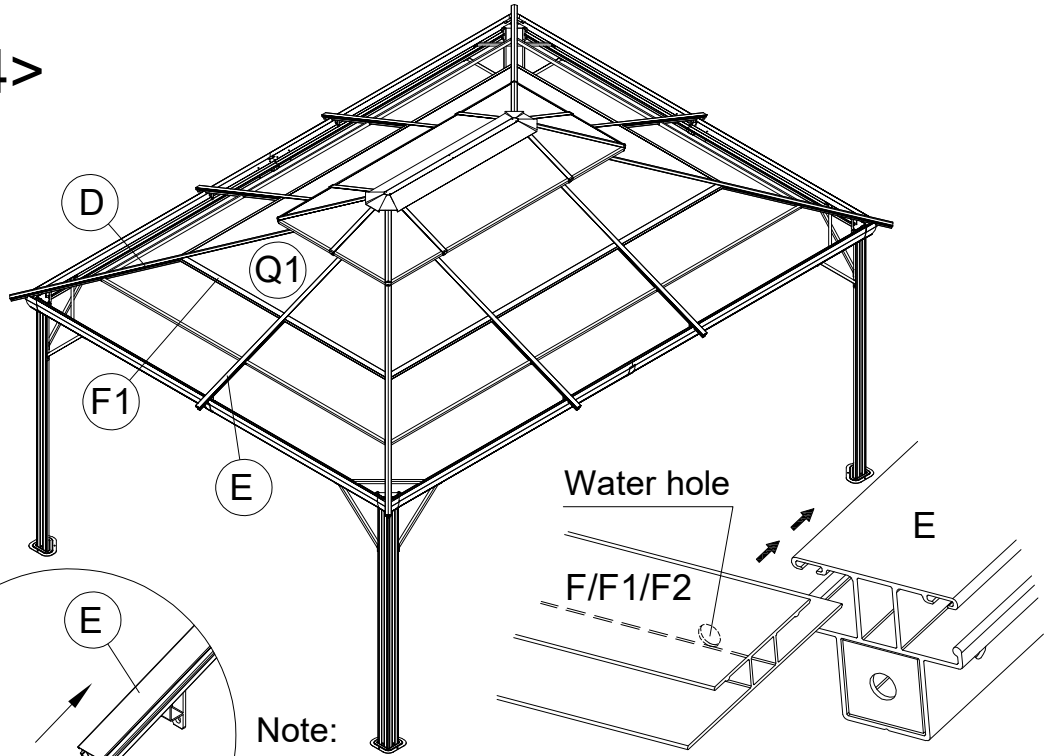
Q 2x



Q1 4x



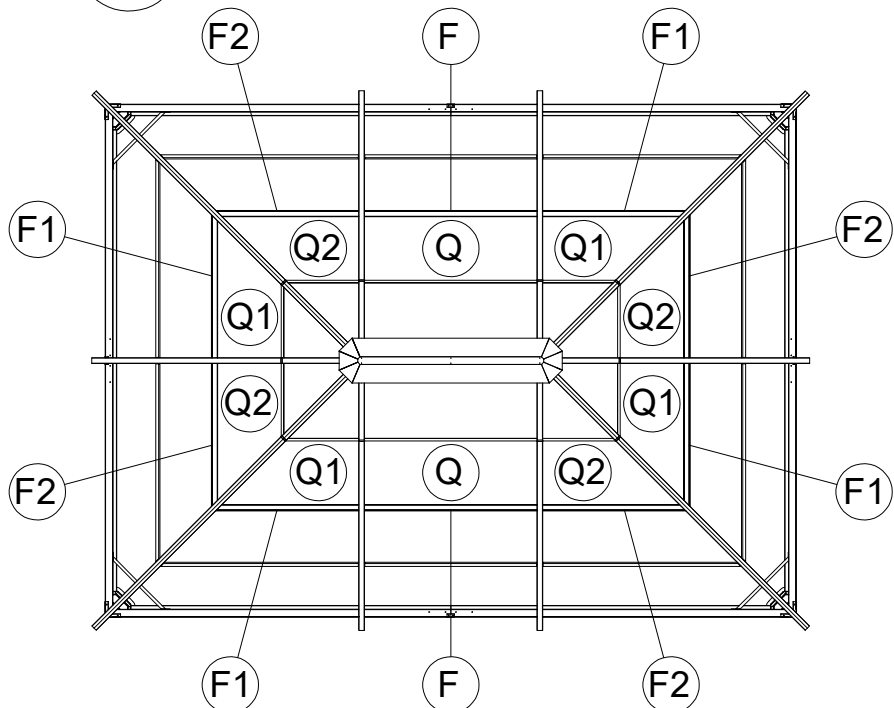
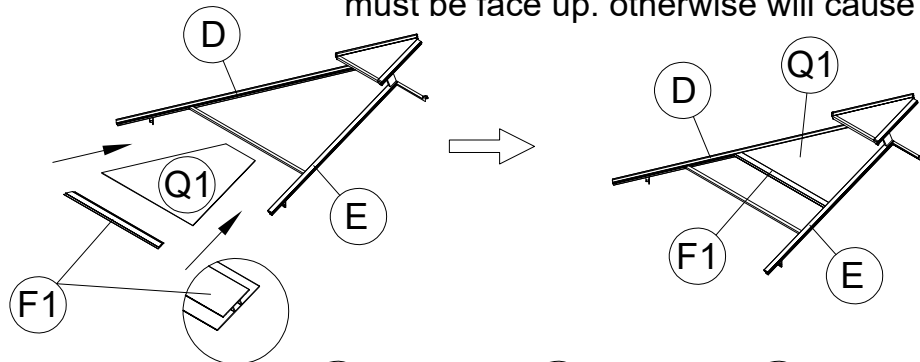
Q2 4x



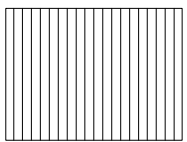
Note:

1. When F1 or F2 or F slide into the E, the wide side must be face down and narrow side face up, otherwise will cause water leaking

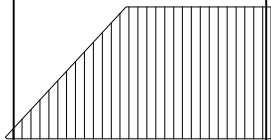
2. F or F1 or F2 the water holes inside of the tube must be face up. otherwise will cause water leaking



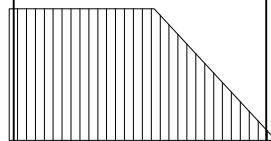
<15>



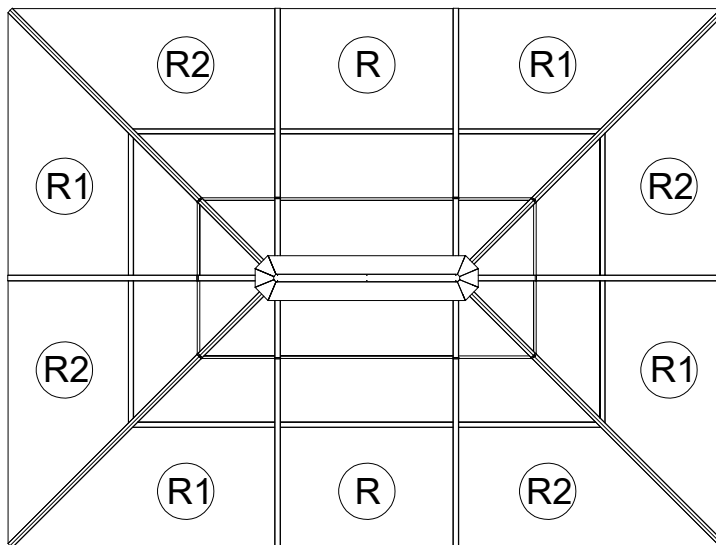
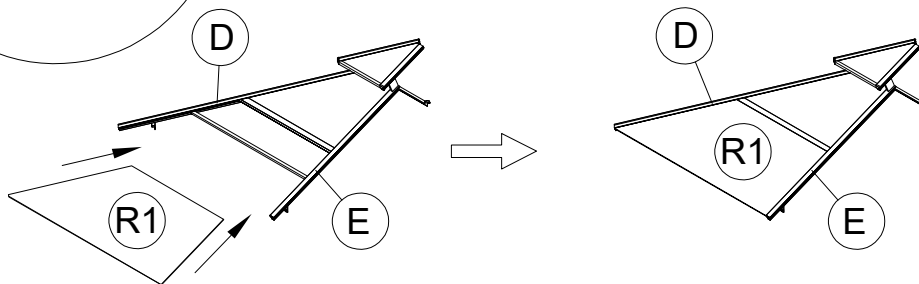
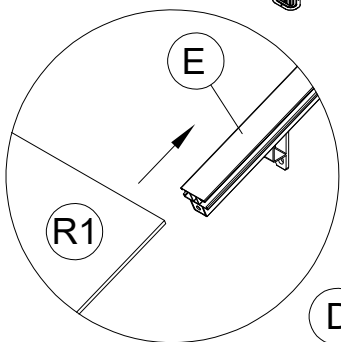
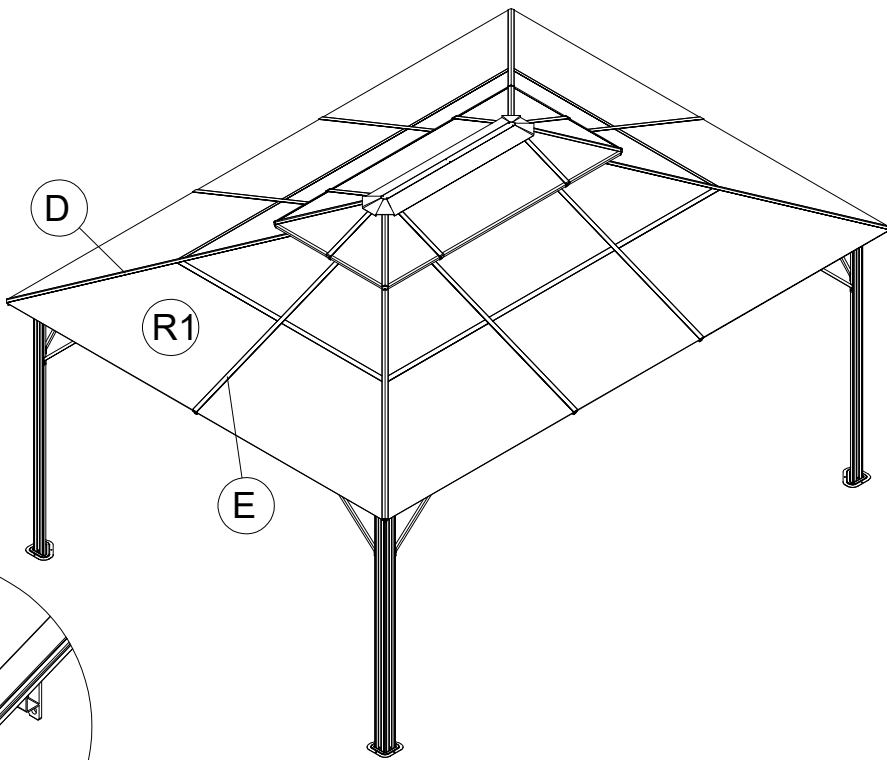
(R) 2x



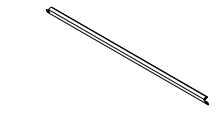
(R1) 4x



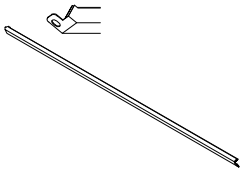
(R2) 4x



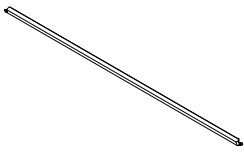
<16>



G 2x



G1 4x



G2 4x



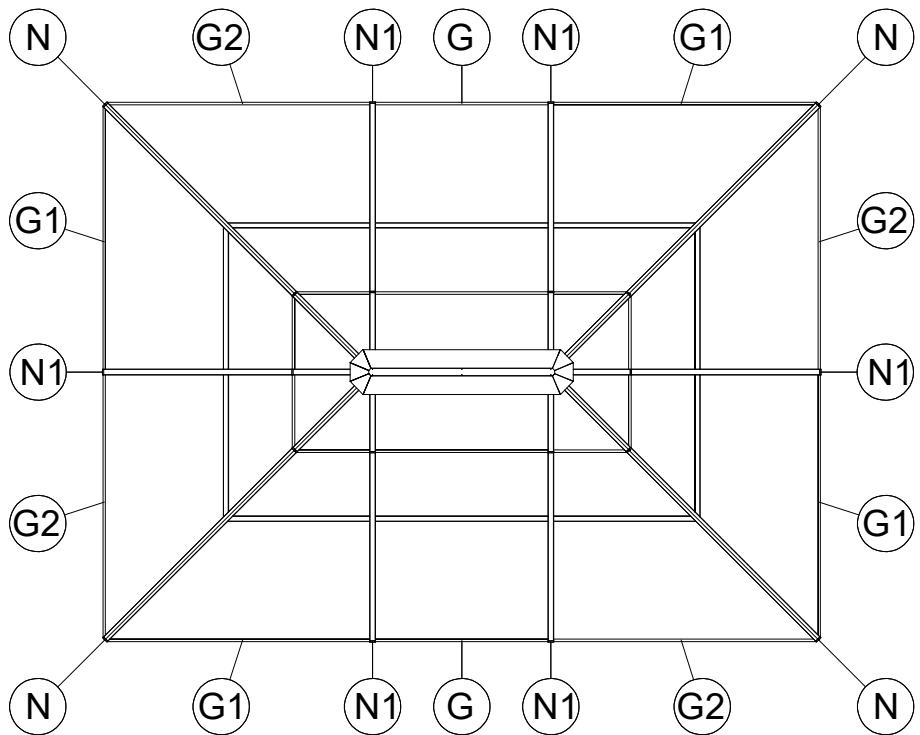
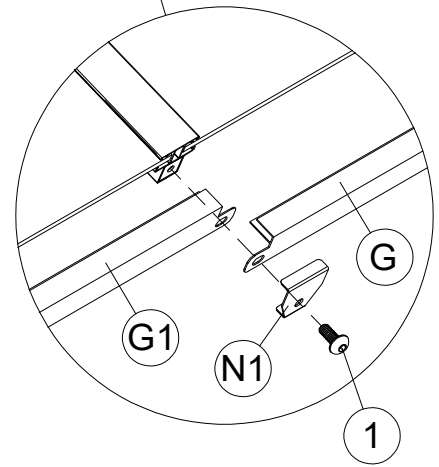
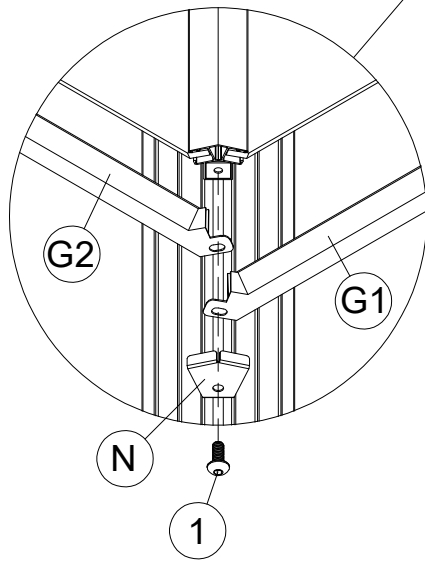
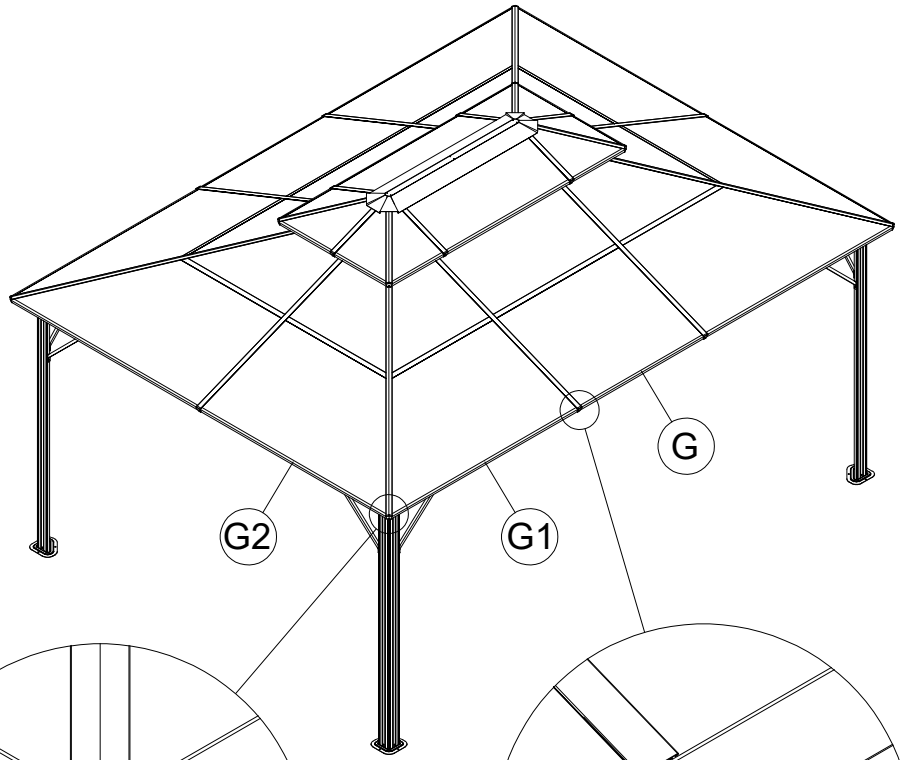
N 4x



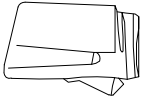
N1 6x



1 10x M6x15

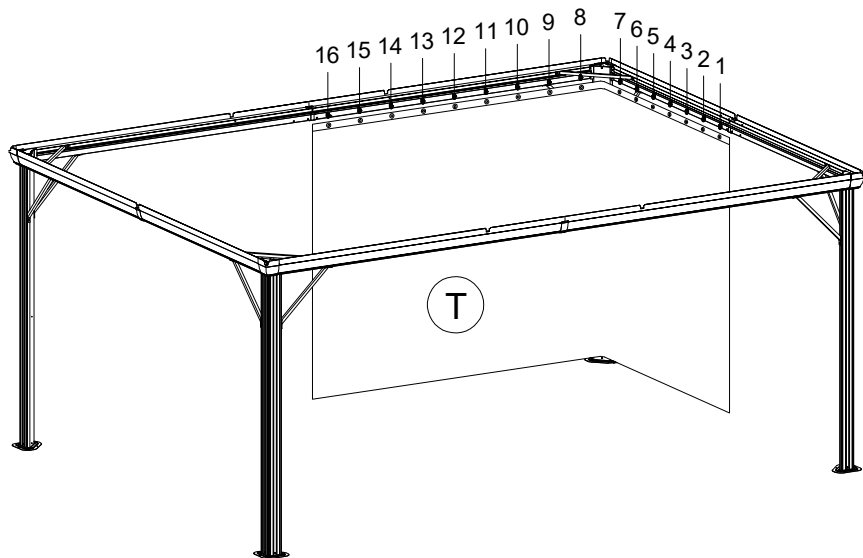
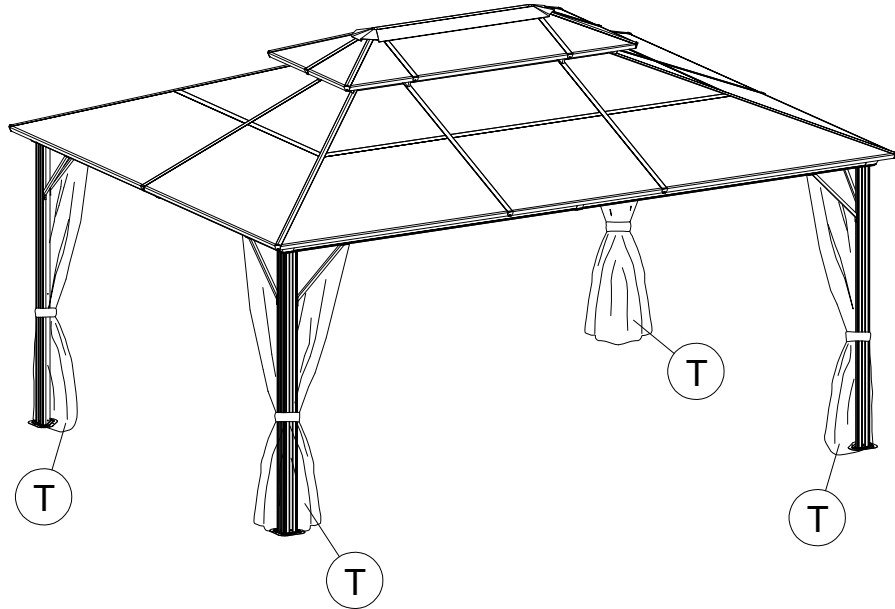
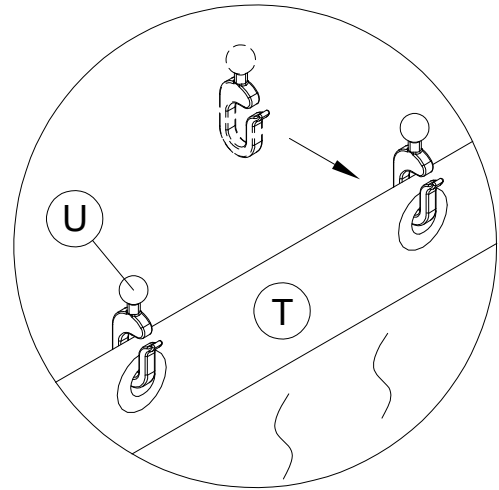
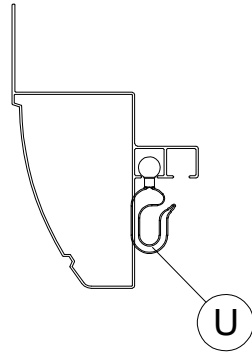


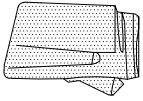
19



<17>

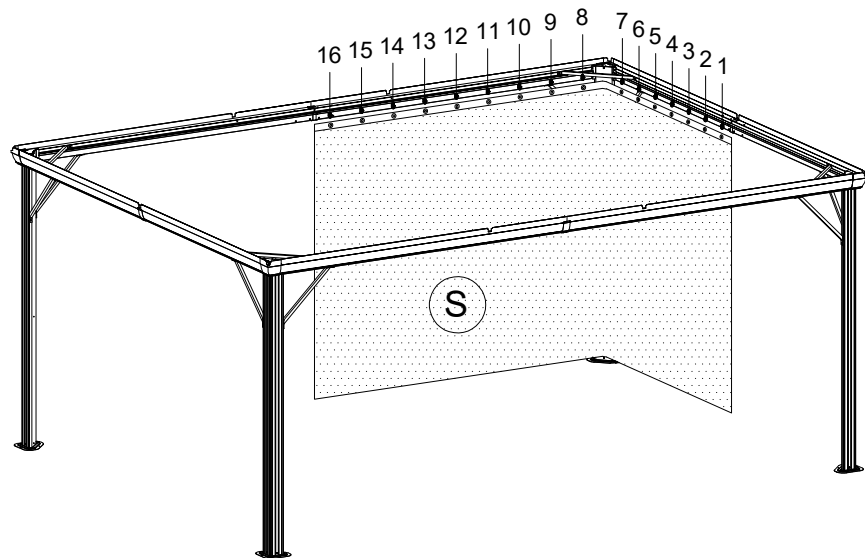
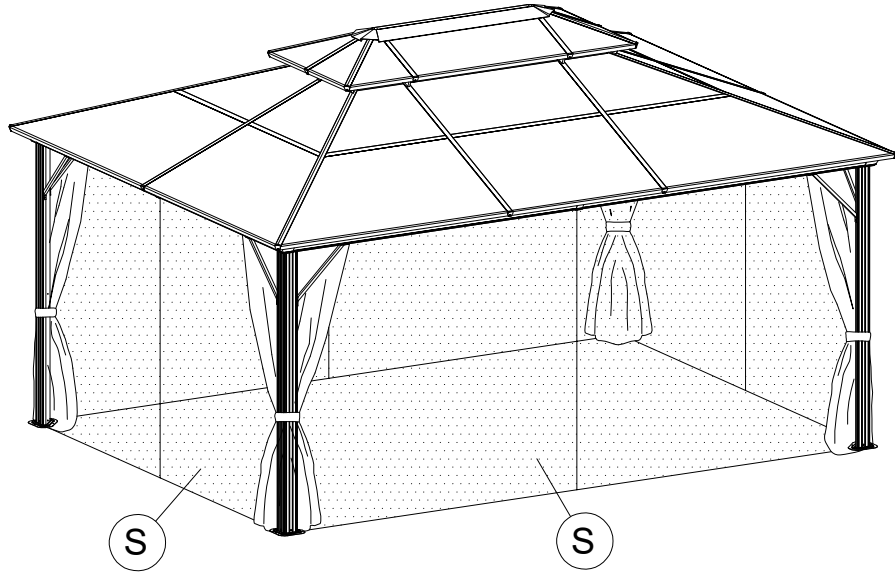
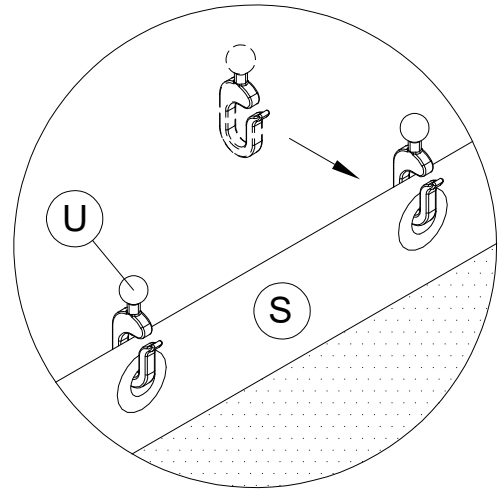
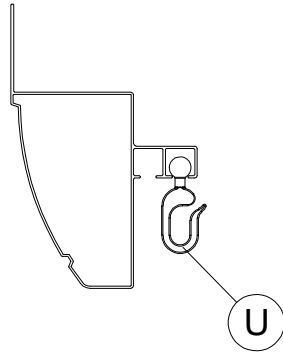
T 4x

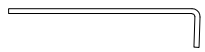




<18>

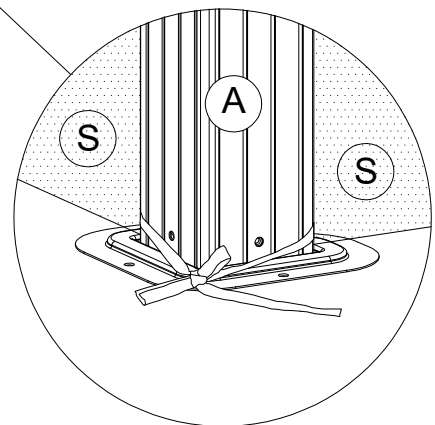
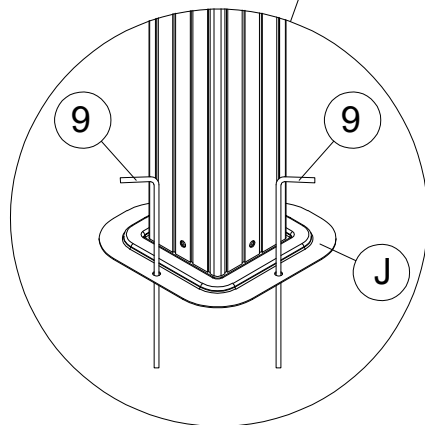
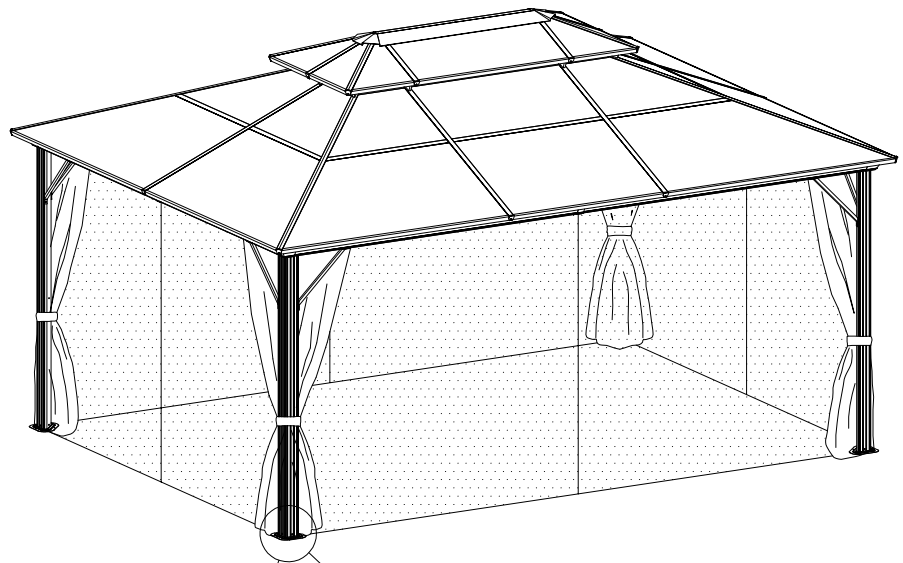
S 4x





<19>

9 12x



Contact information

Austria



Belgium



Croatia



Denmark



Estonia



Finland



France



Germany



Ireland



Italy



Latvia



Lithuania



Nederland



Norway



Poland



Portugal



Spain



Sweden



Switzerland



UK

