

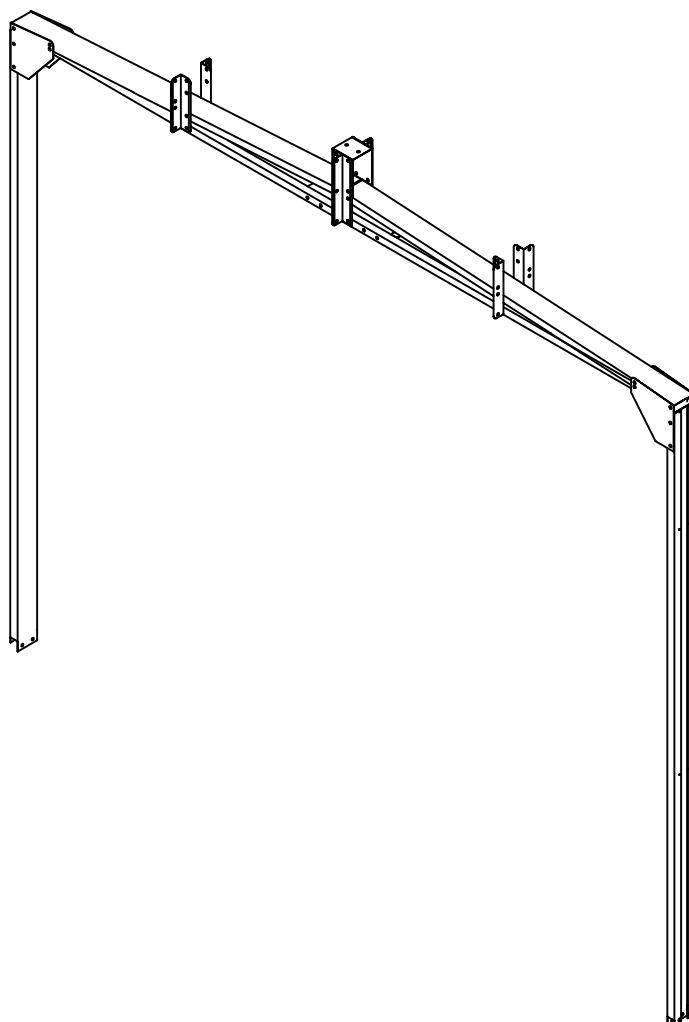
Manual  
for  
ProShed Extra Strength Support Set  
for Garden Shed  
2,71m<sup>2</sup> and 4,07m<sup>2</sup>



# Steel Holder

---

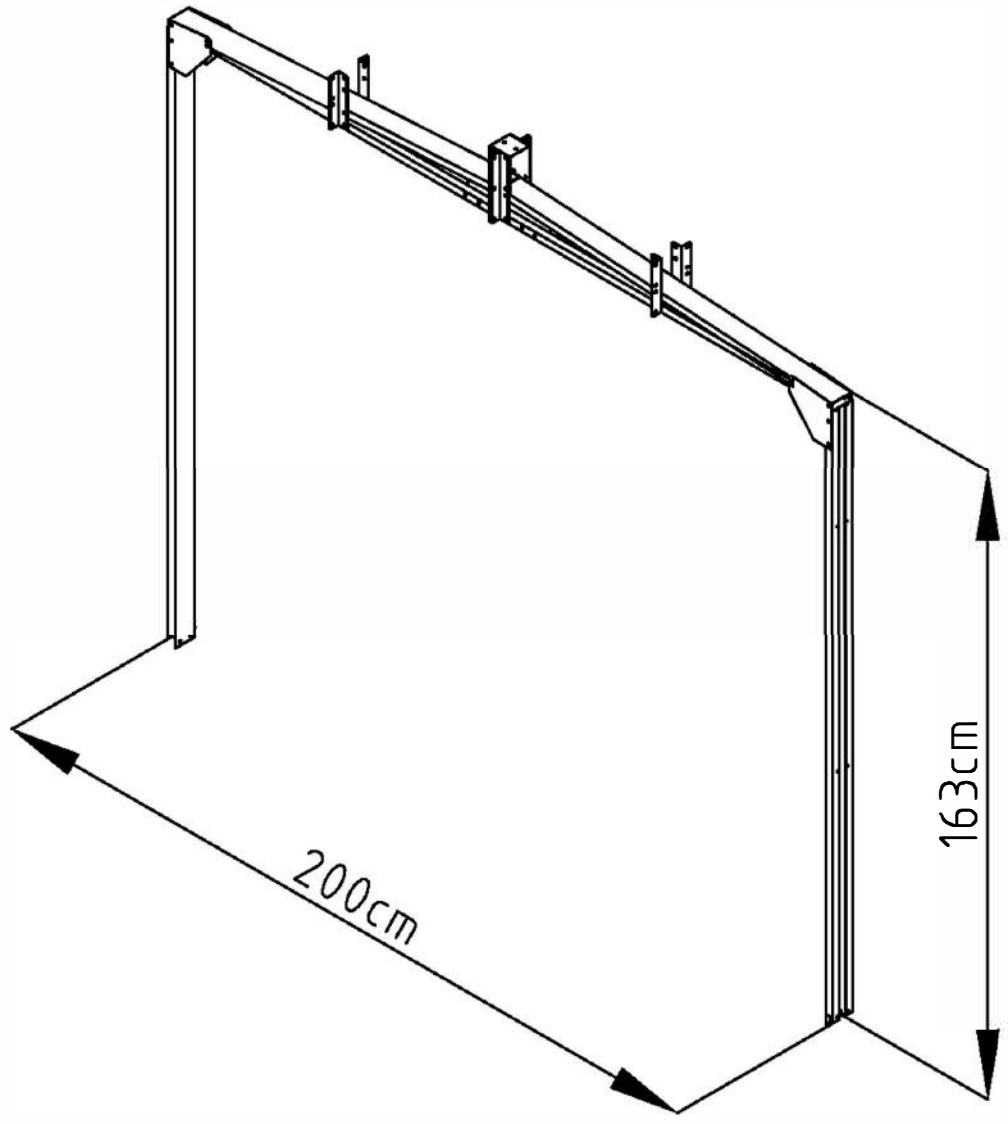
## OWNER'S MANUAL / Instructions for Assembly

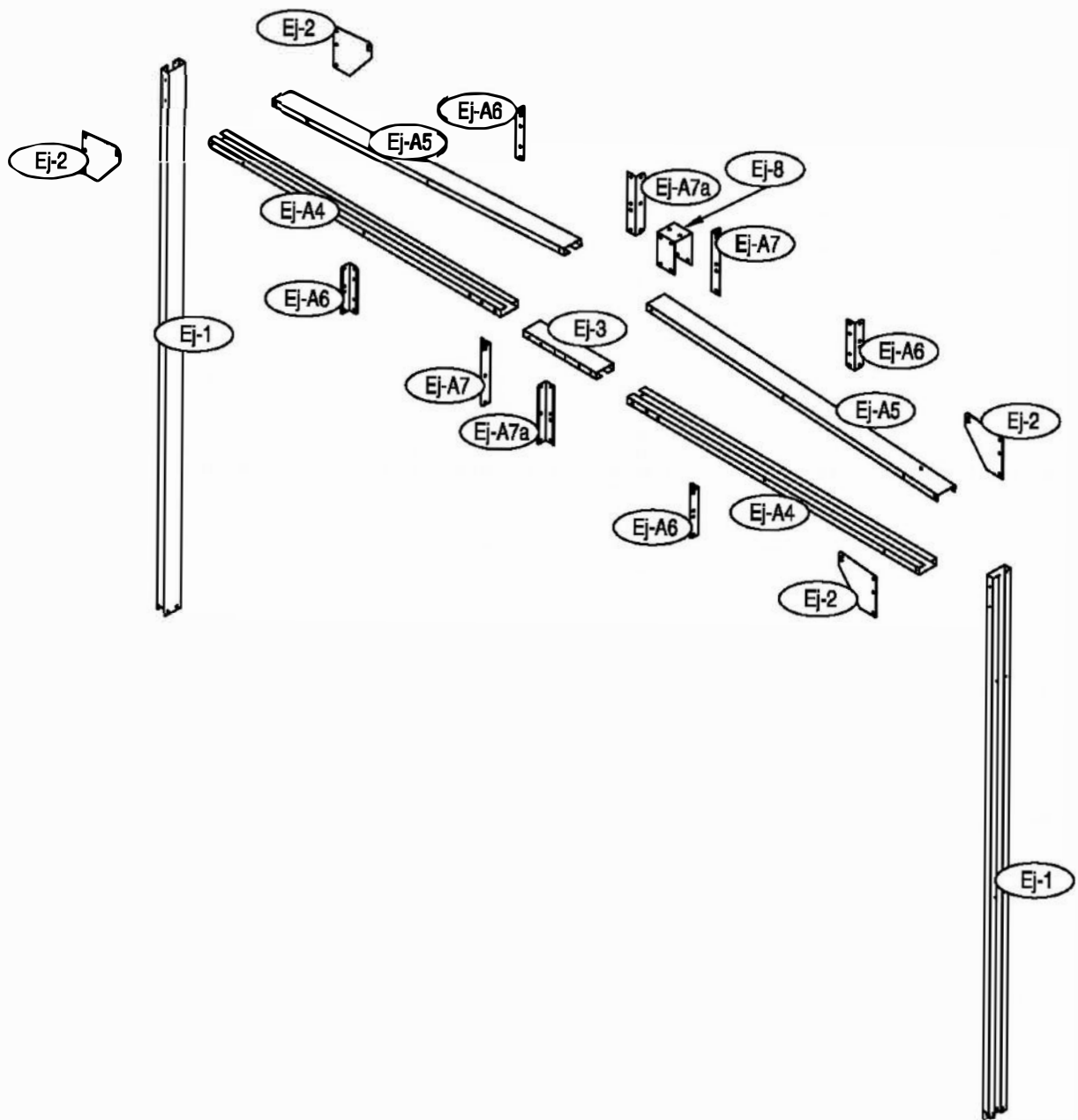


---

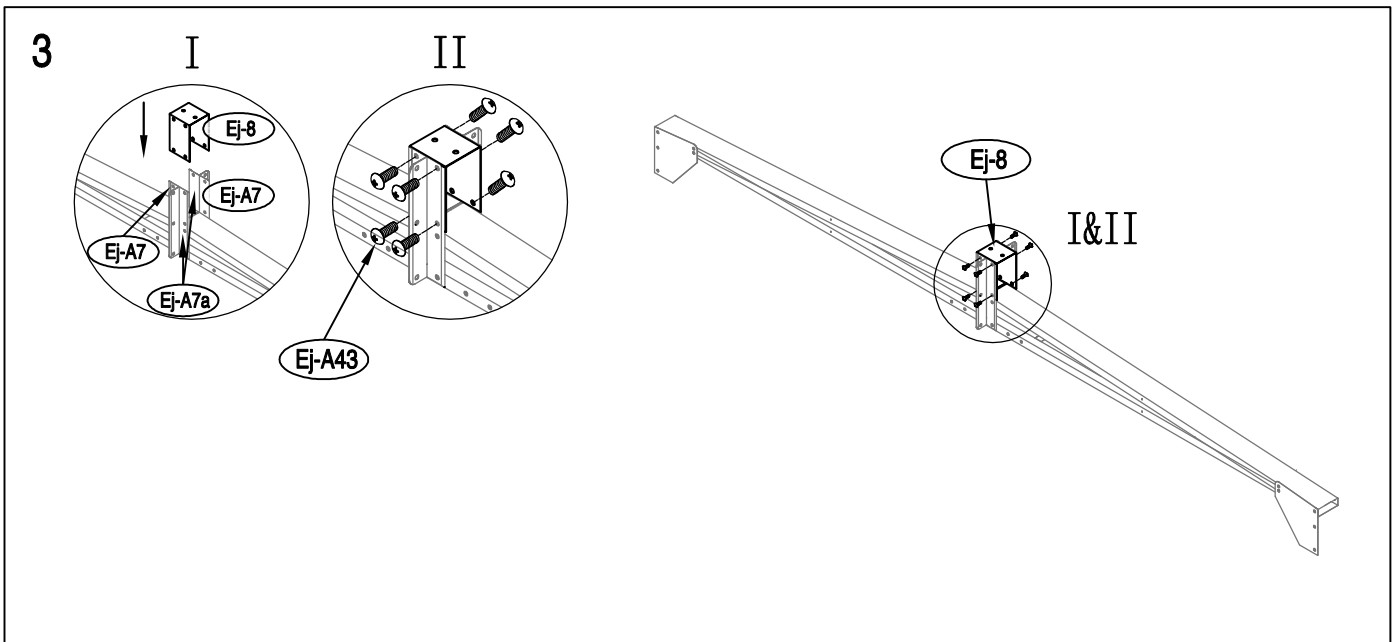
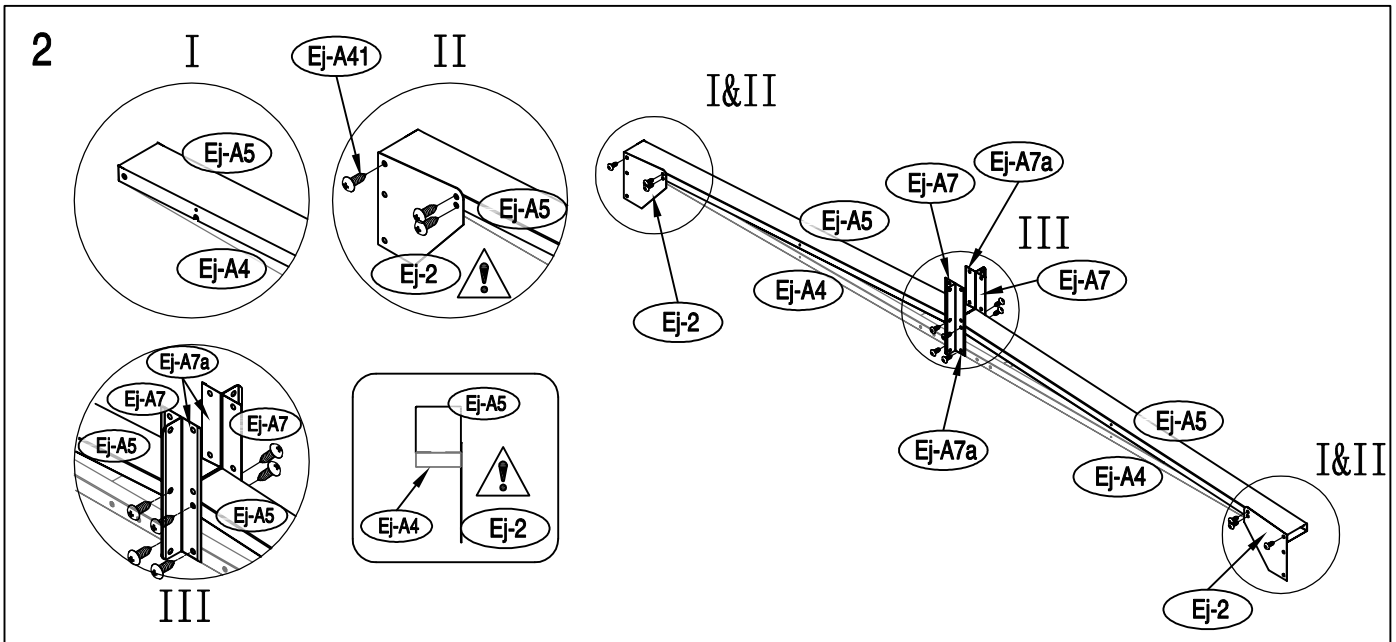
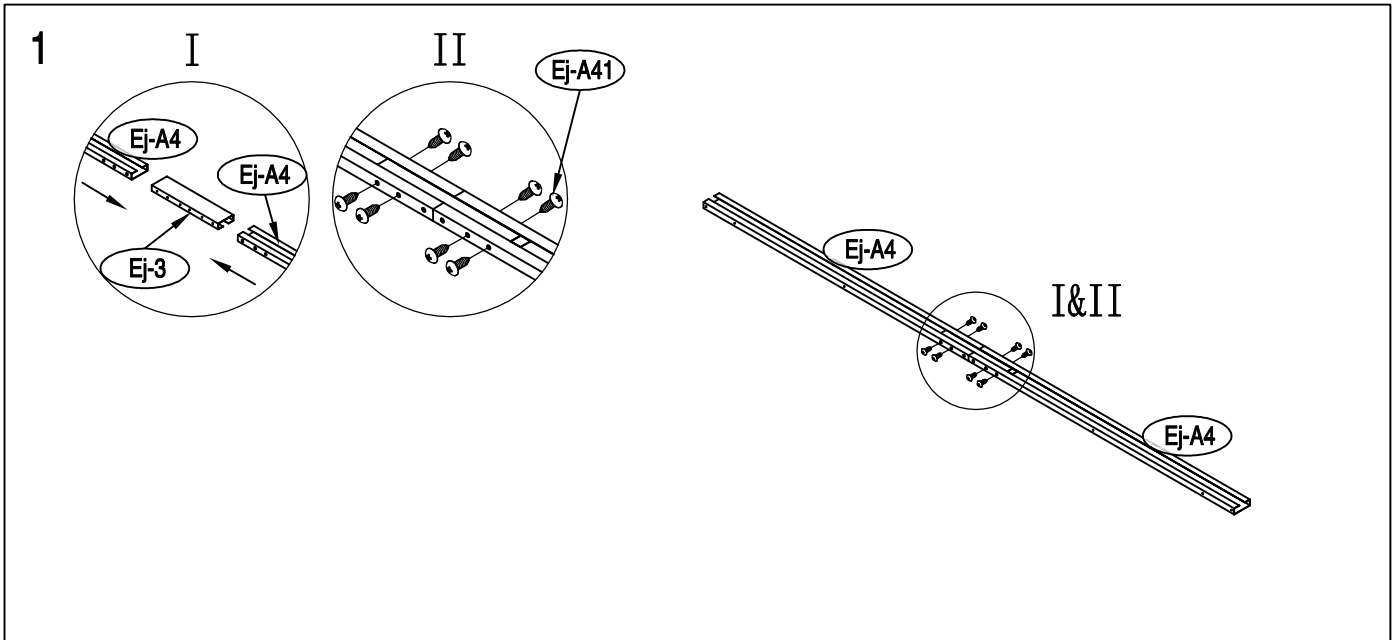
Requires two people for Installation.

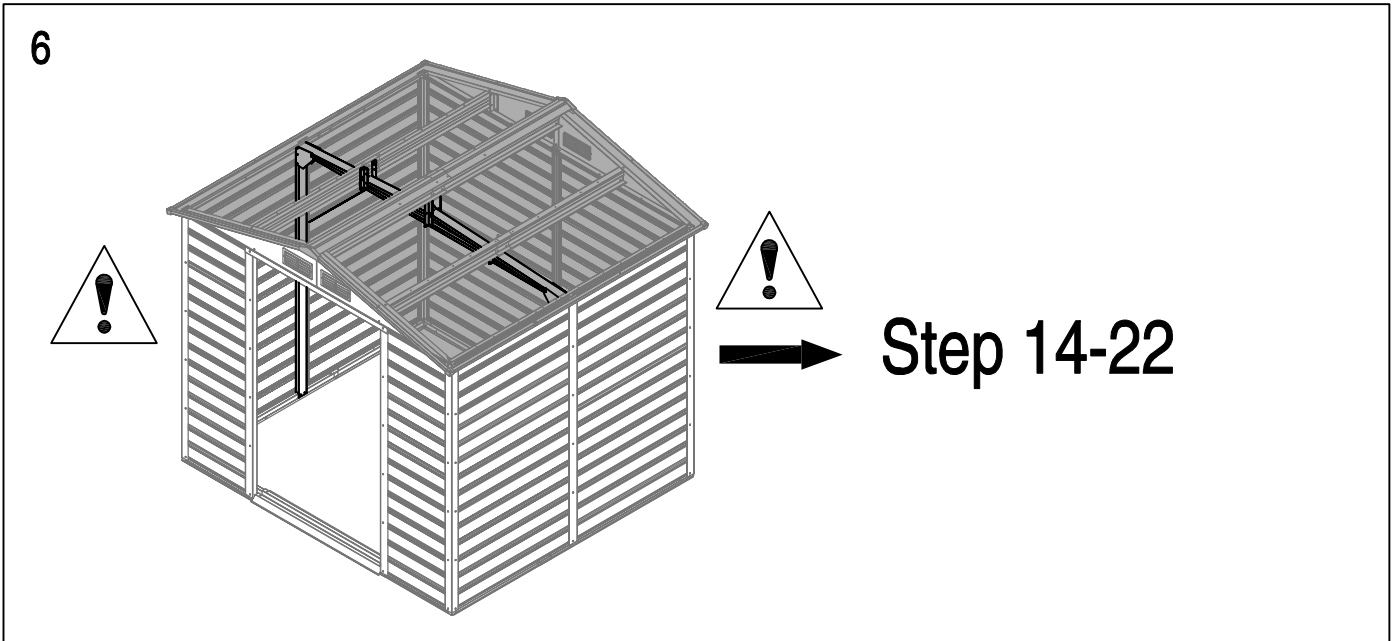
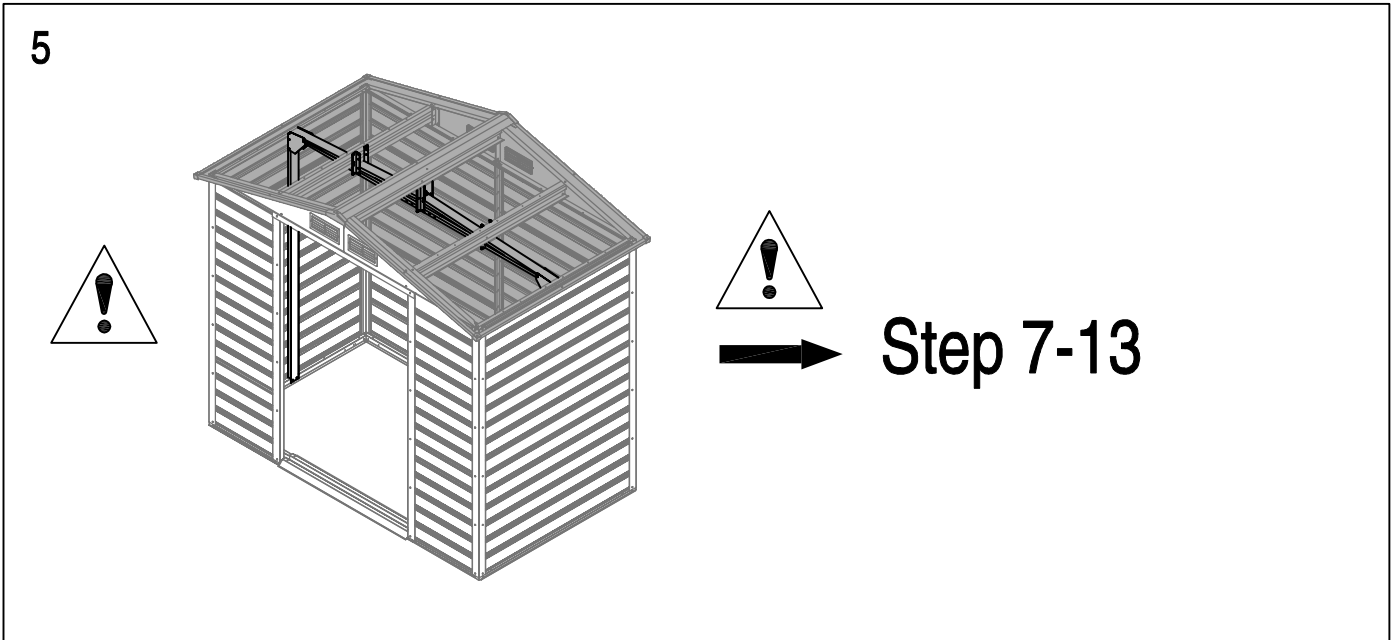
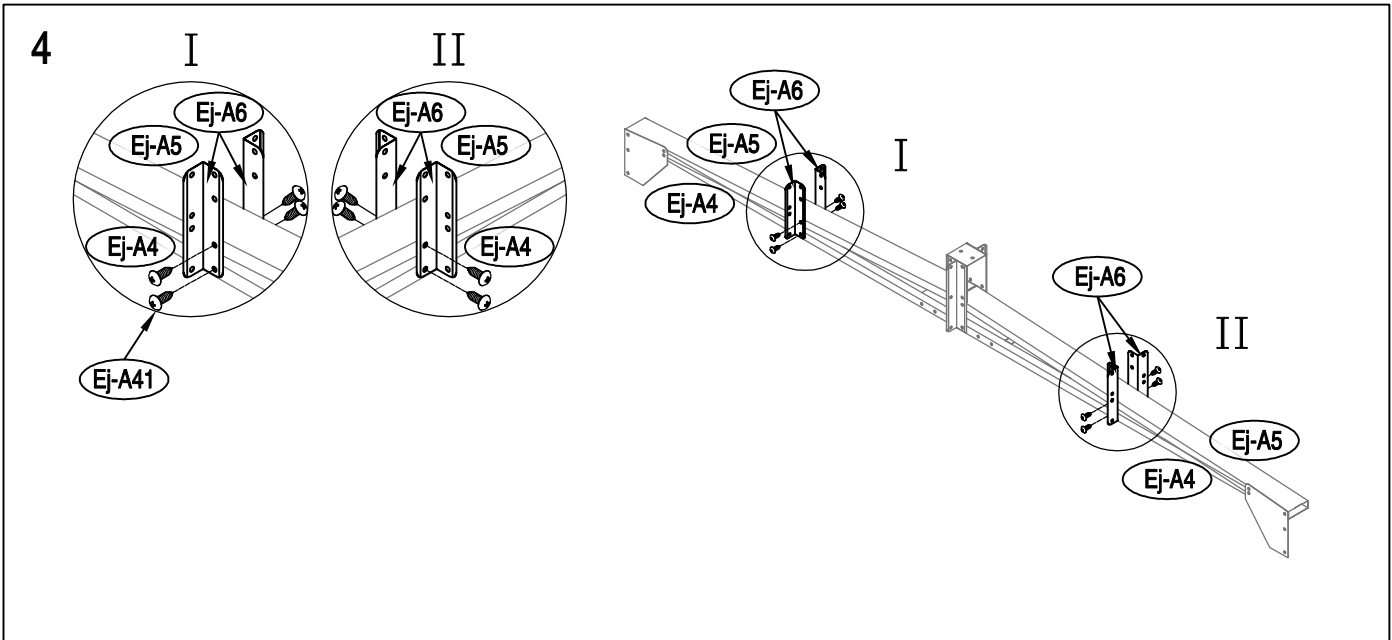
# Size



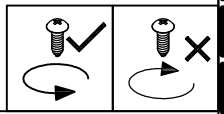
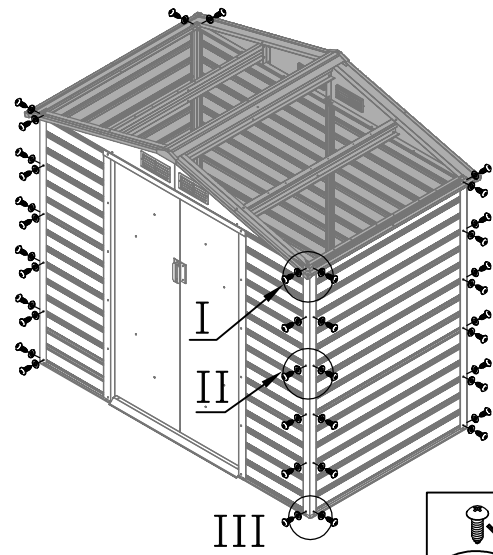
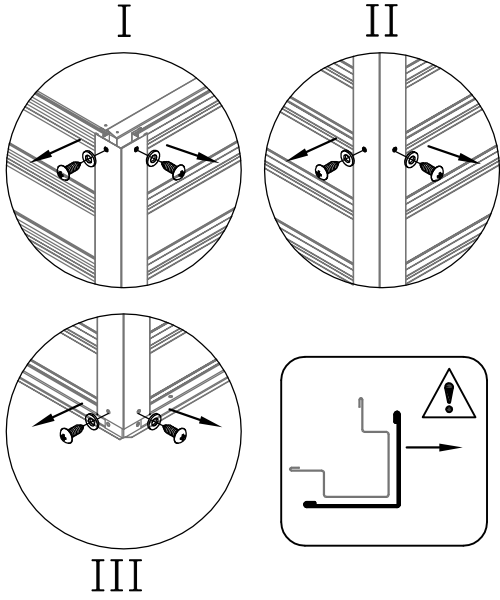




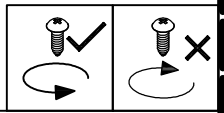
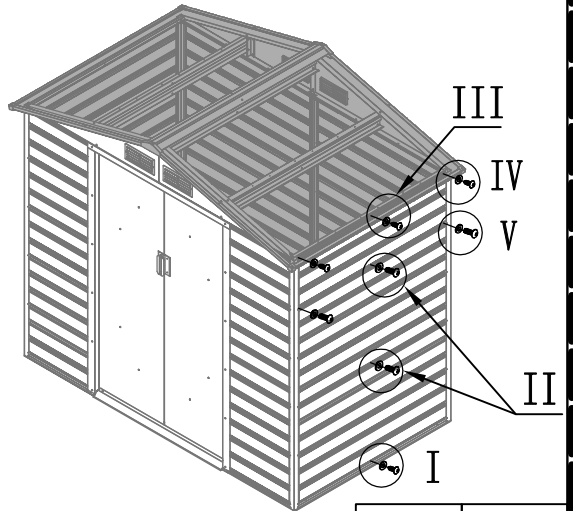
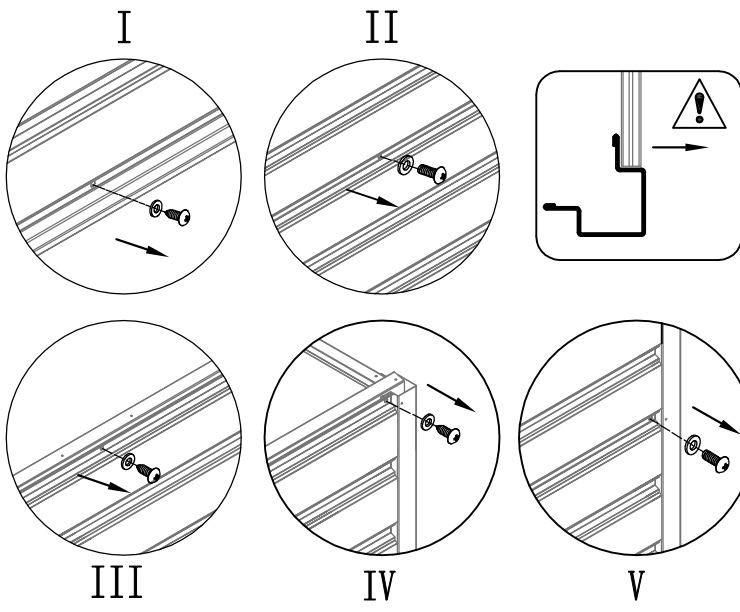




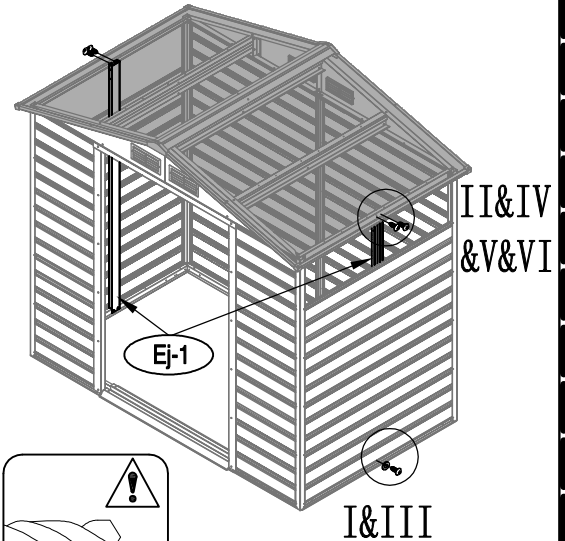
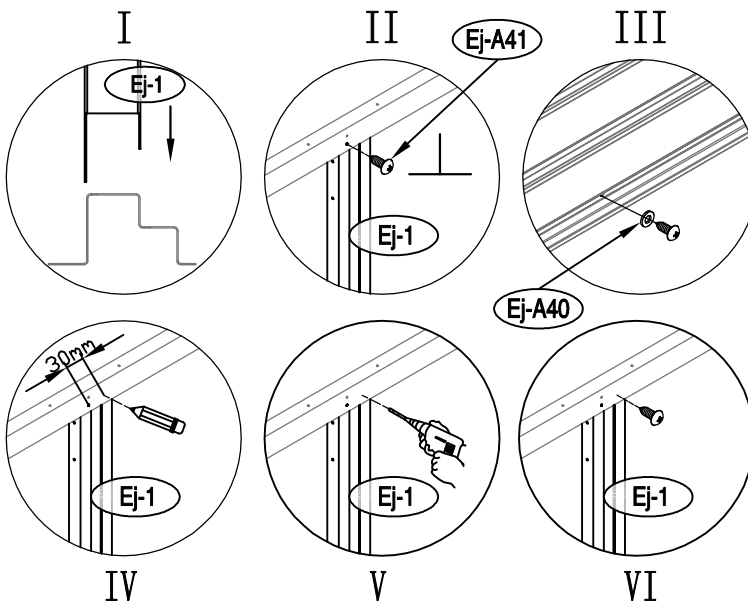
7



8



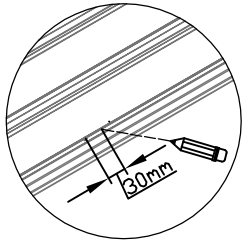
9



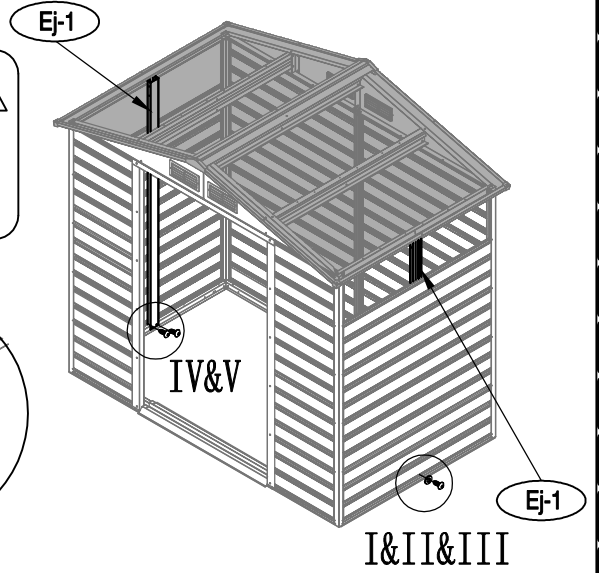
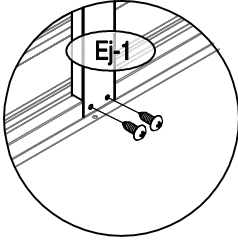
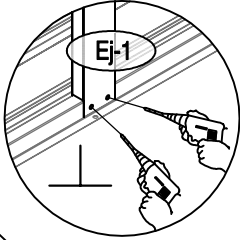
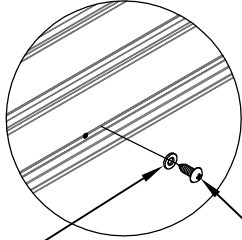
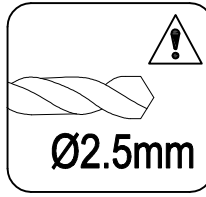
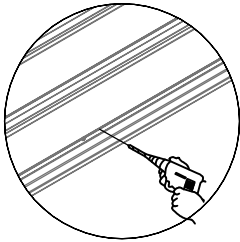


10

I



II



Ej-A40 III

Ej-A41 IV

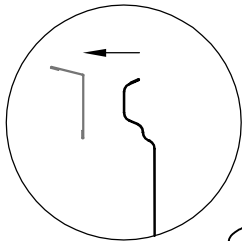
V

I&II&III

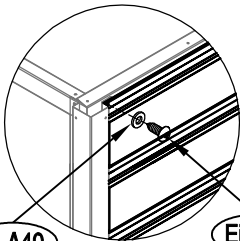
Ej-1

11

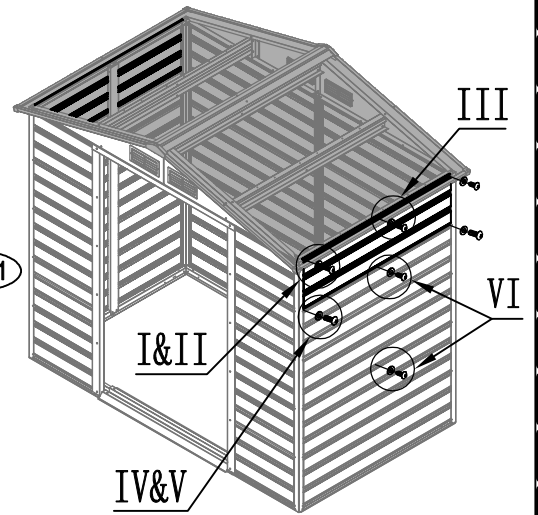
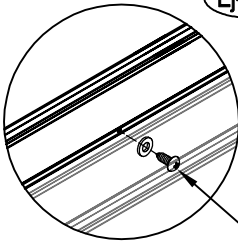
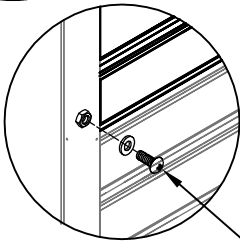
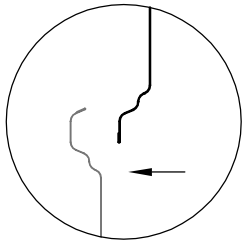
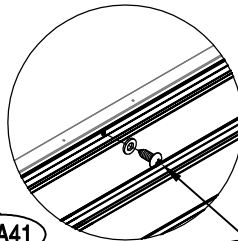
I



II



III



Ej-A40

Ej-A41

Ej-A41

Ej-A43

Ej-A41

IV

V

VI

III

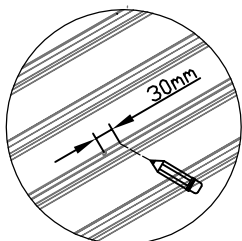
VI

IV&V

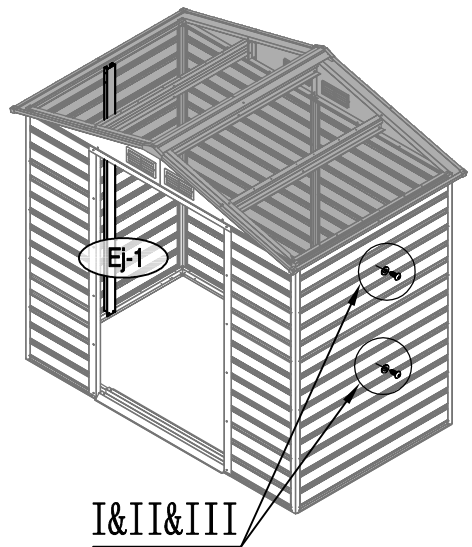
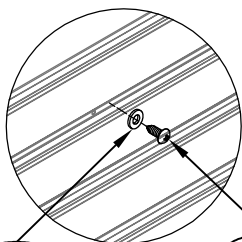
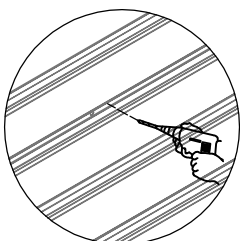
I&II

12

I



II



Ej-A40 III

Ej-A41

III

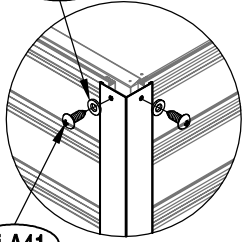
I&II&III

Ej-1

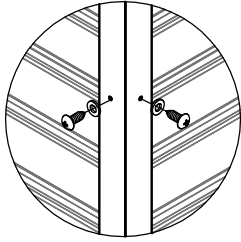


13

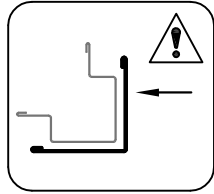
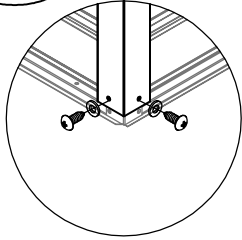
Ej-A40 I



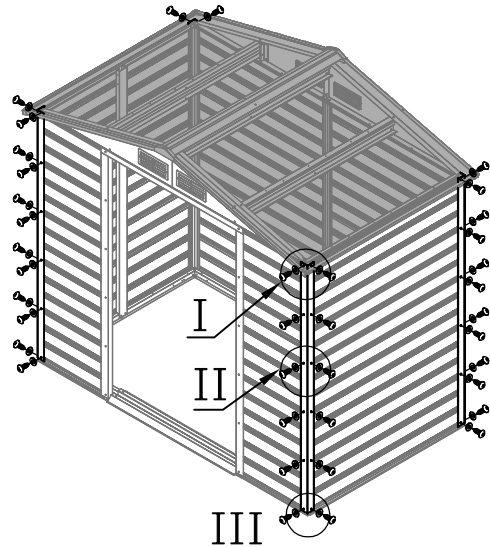
II



Ej-A41

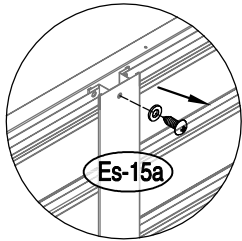


III

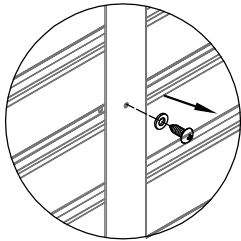


14

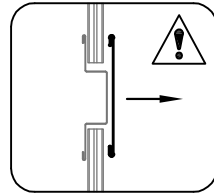
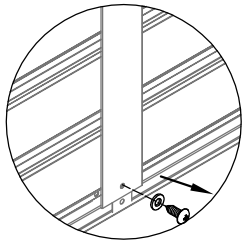
I



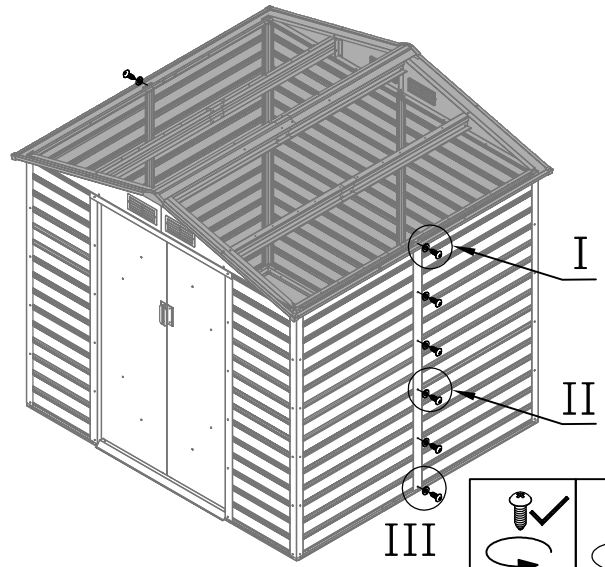
II



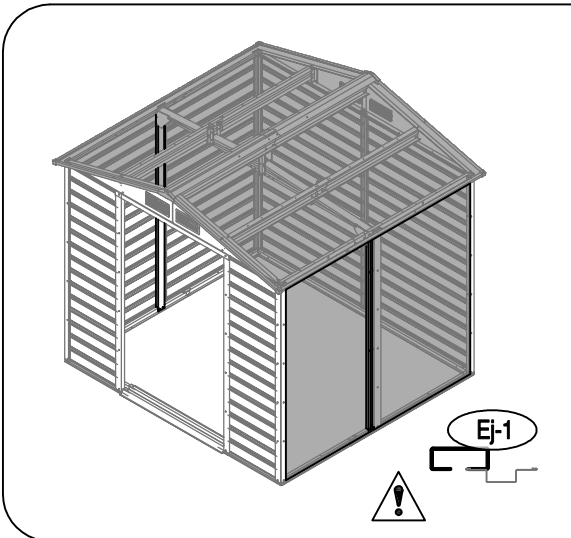
Es-15a



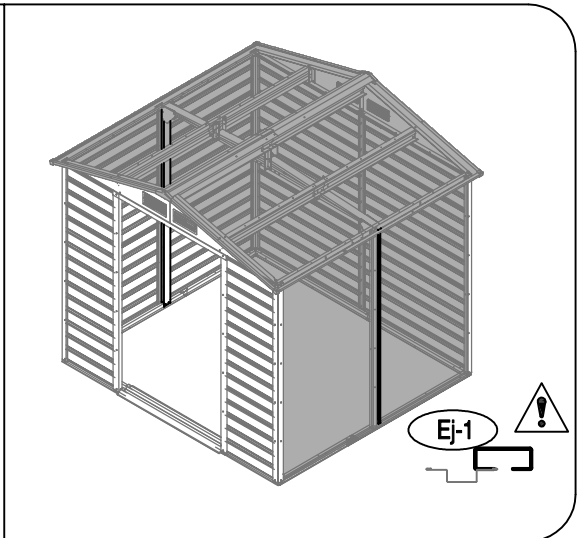
III



15



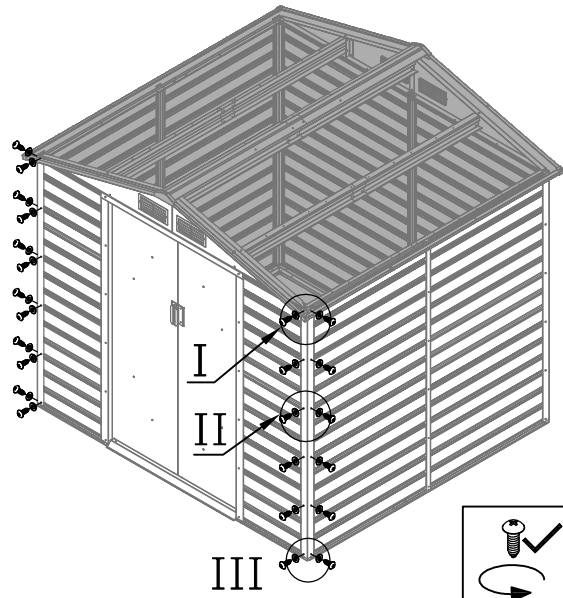
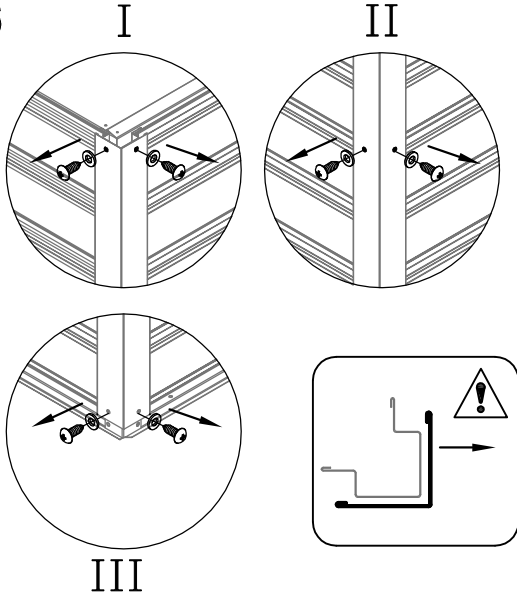
Ej-1



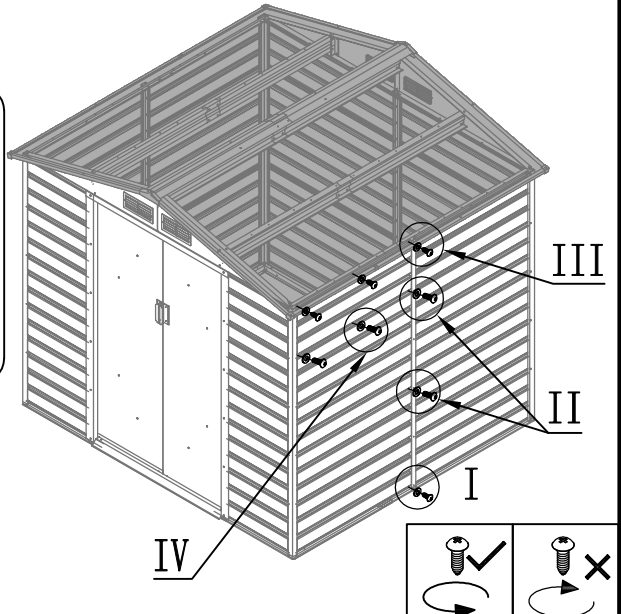
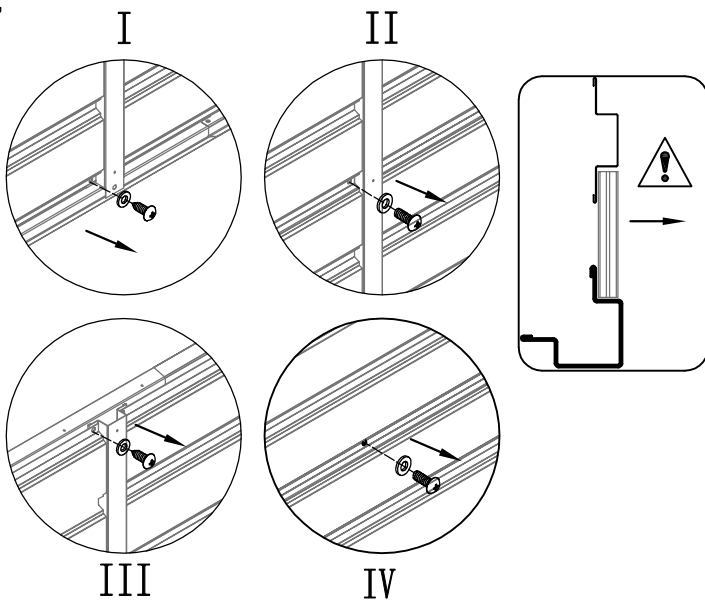
Ej-1



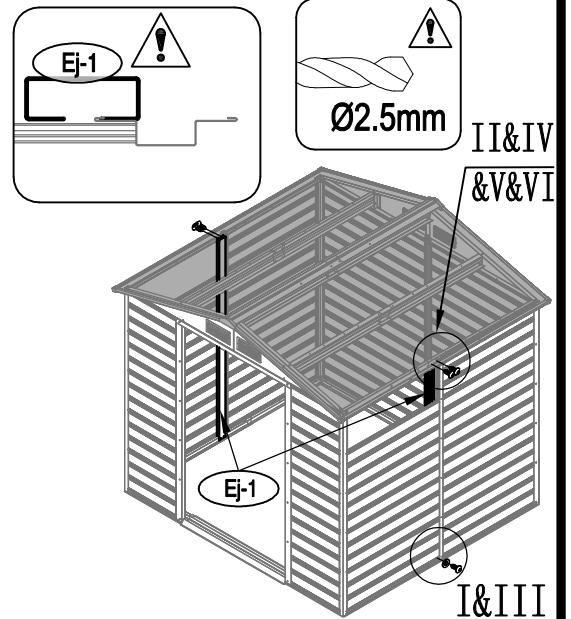
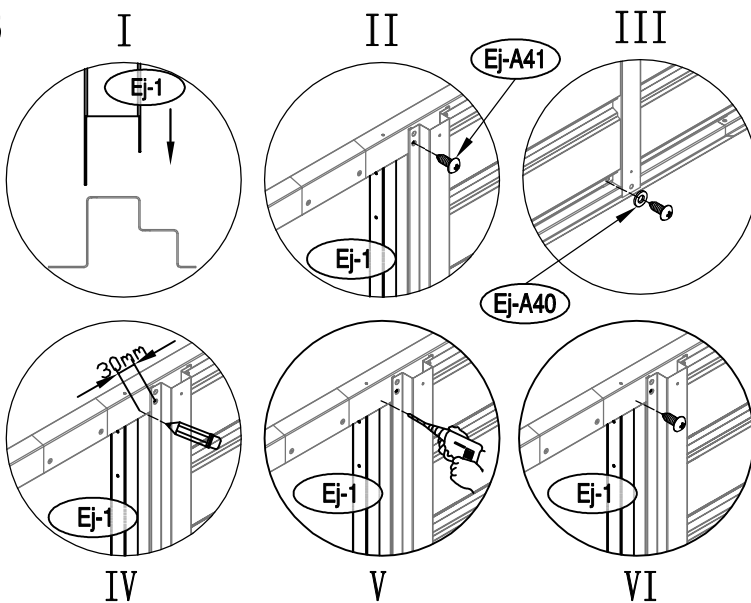
16



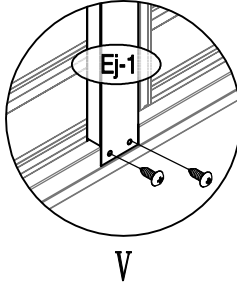
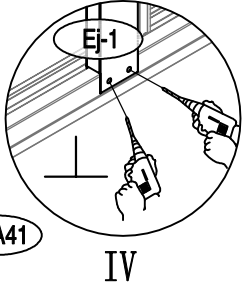
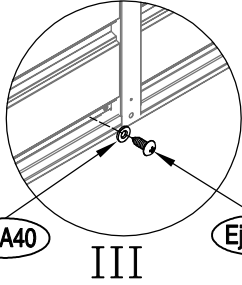
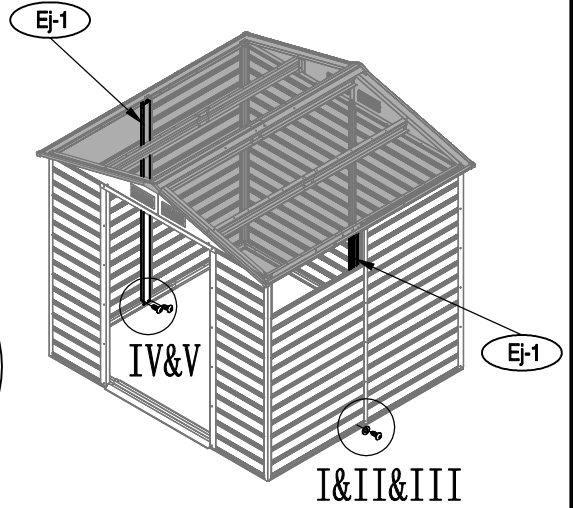
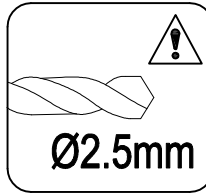
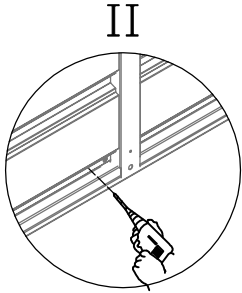
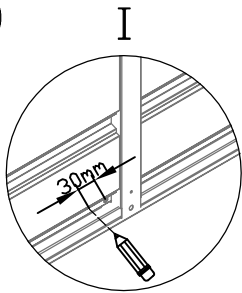
17



18



19



Ej-A40

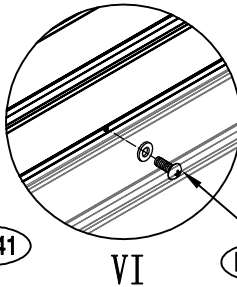
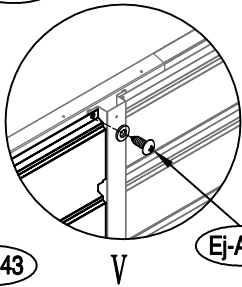
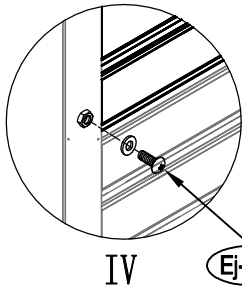
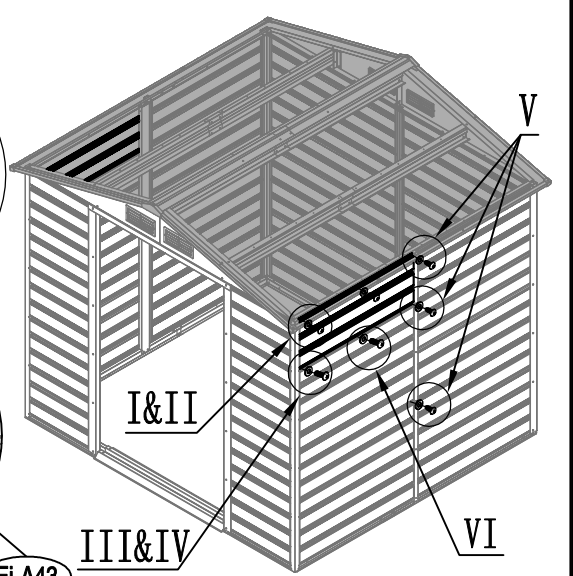
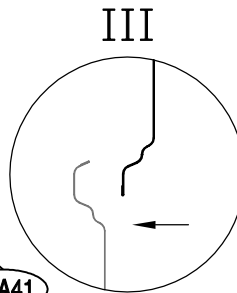
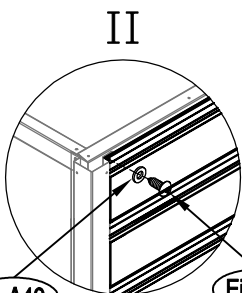
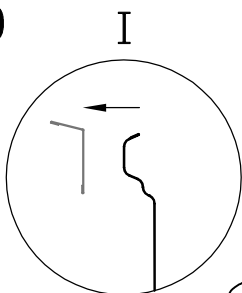
Ej-A41

III

IV

V

20



Ej-A40

Ej-A41

Ej-A43

Ej-A41

Ej-A43

IV

V

VI

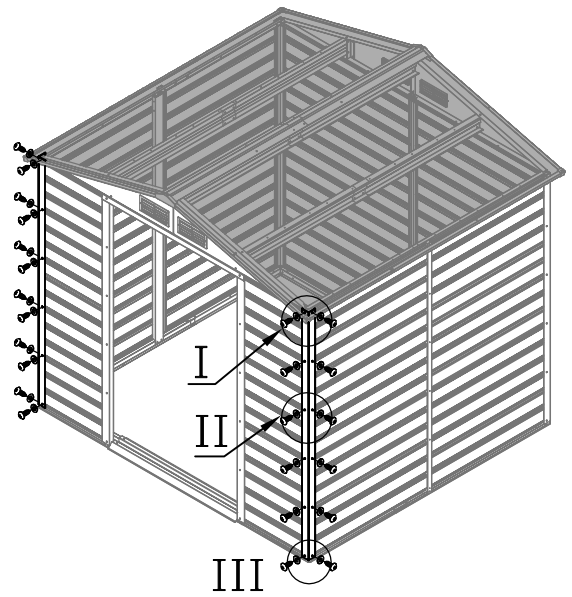
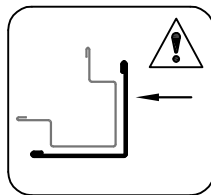
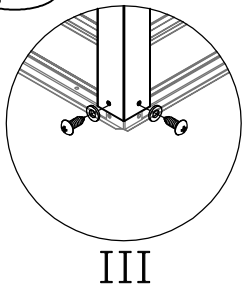
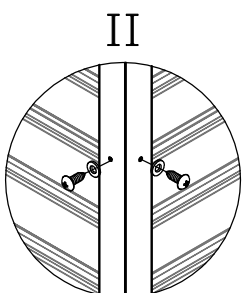
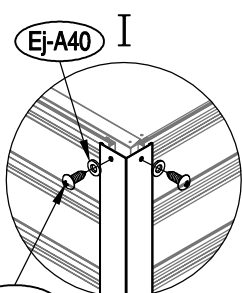
I&II

III&IV

V

VI

21



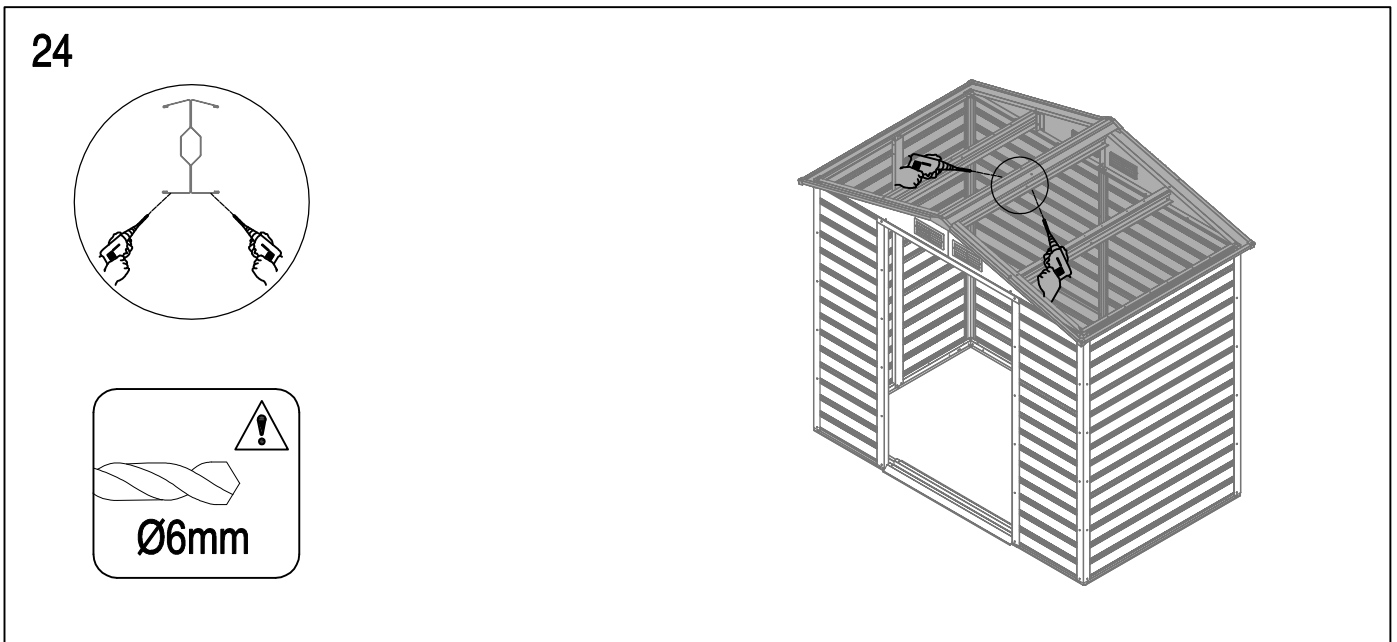
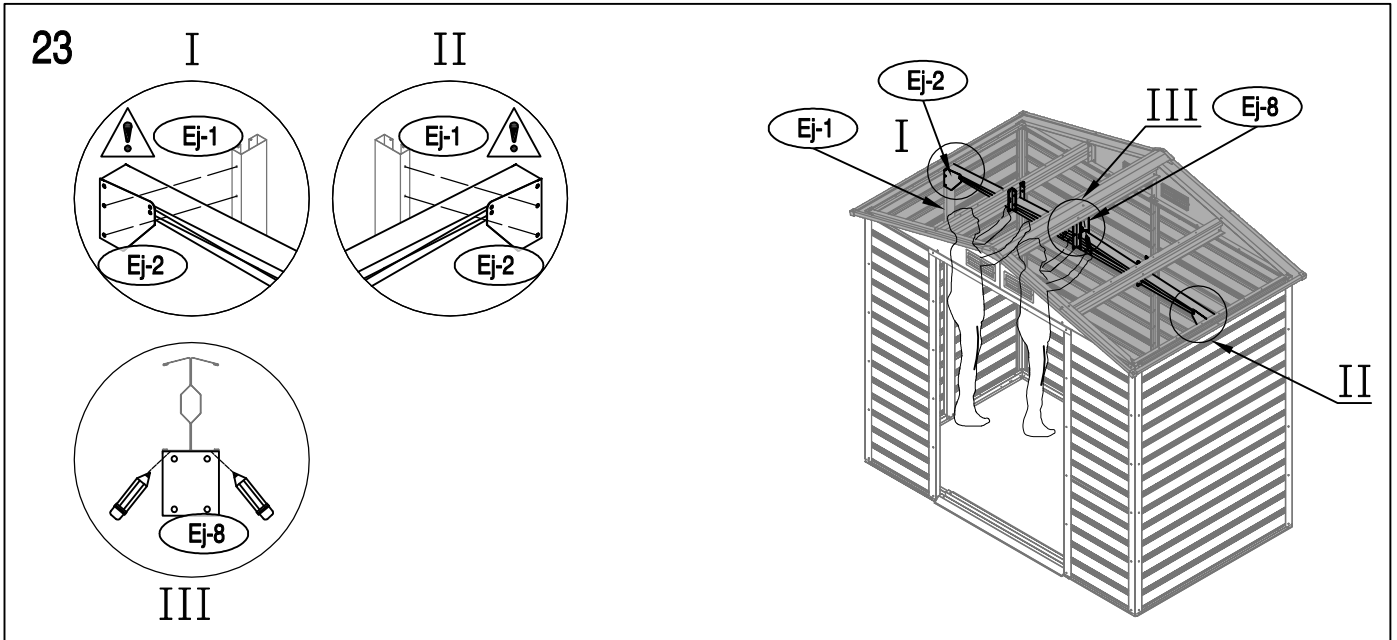
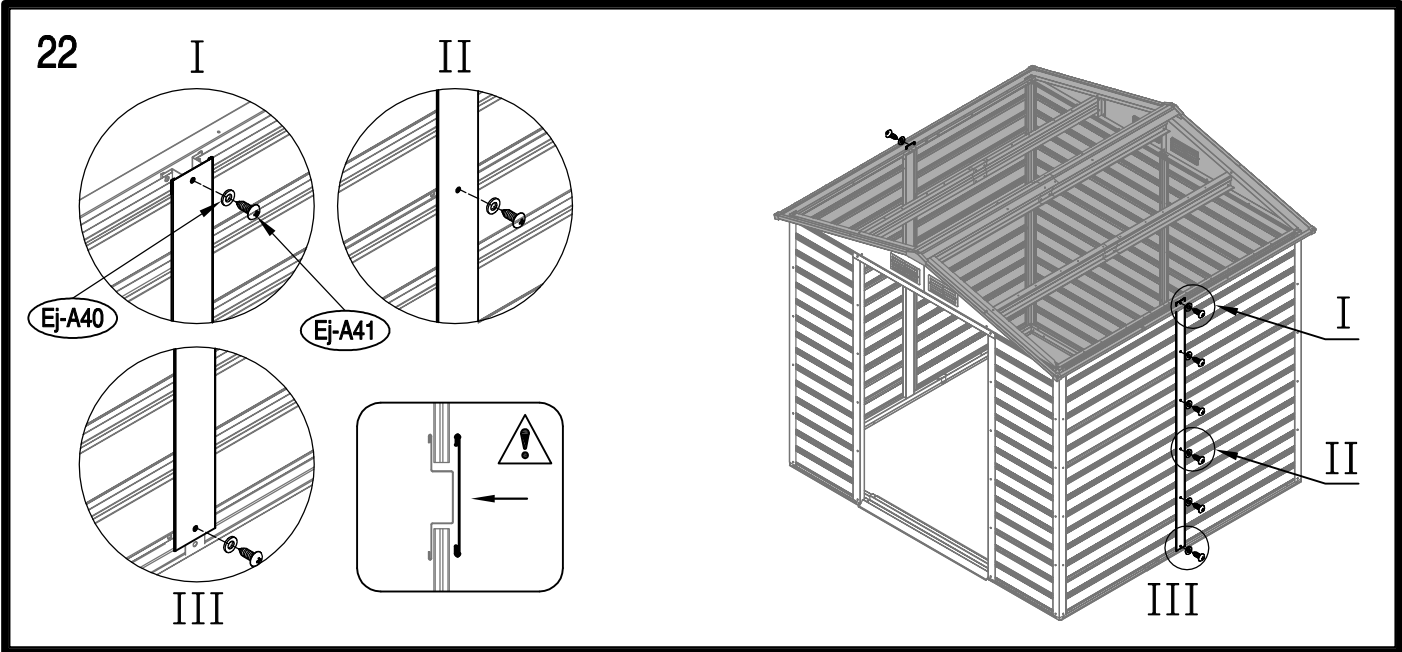
Ej-A40

Ej-A41

III

III

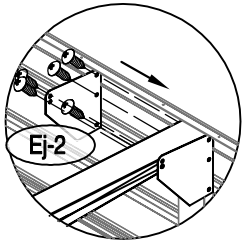
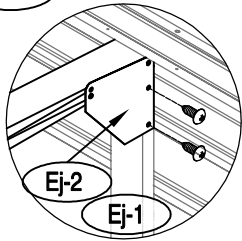
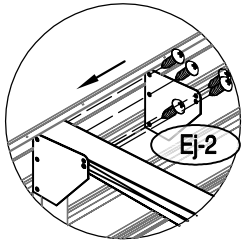
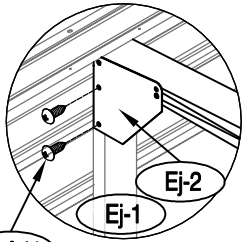




25

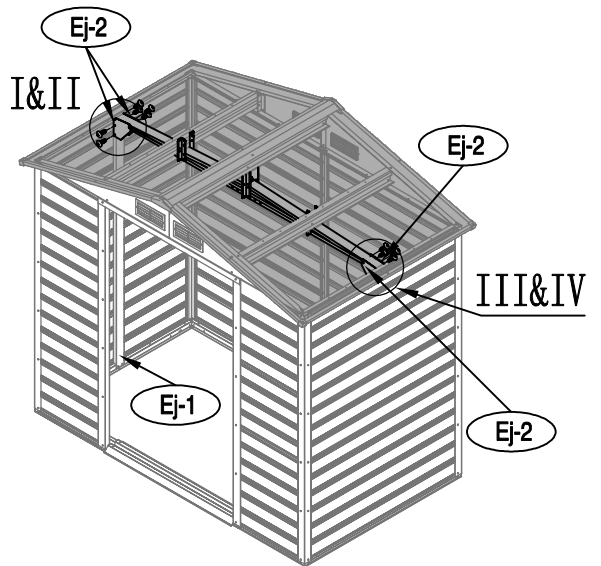
I

II



III

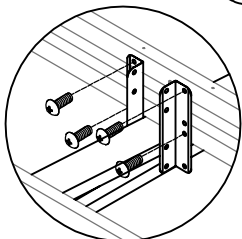
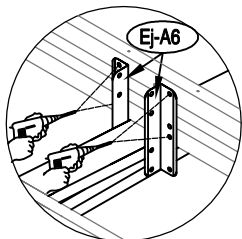
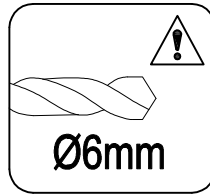
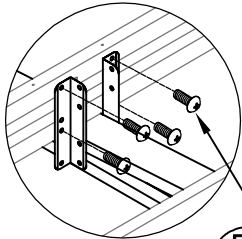
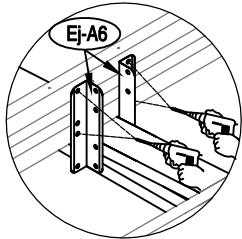
IV



26

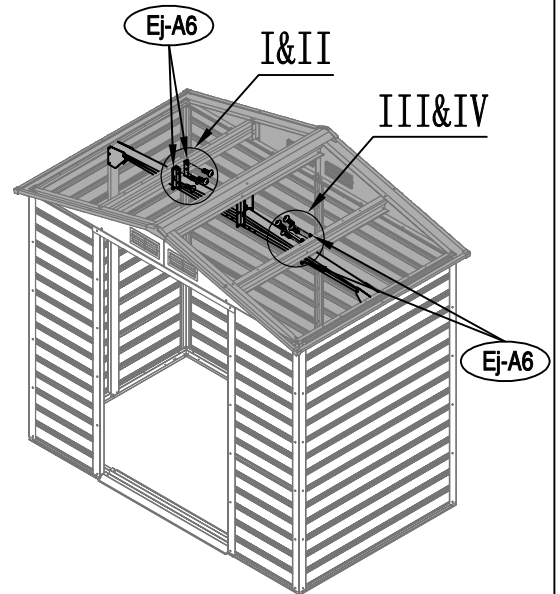
I

II

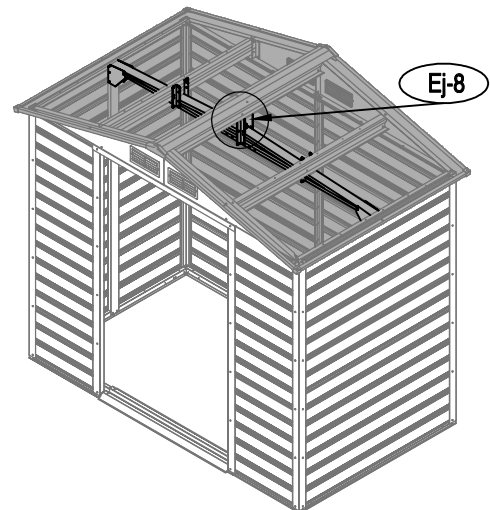
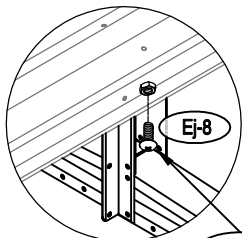


III

IV



27



## Contact information

### Head office:

Dancover A/S  
Lyngevej 16A, Nørre Herlev  
3400 Hillerød  
Denmark

For more information  
please visit:

[www.dancovershop.com](http://www.dancovershop.com)

## National contact

### Denmark:

[denmark@dancover.com](mailto:denmark@dancover.com)

### UK:

[uk@dancover.com](mailto:uk@dancover.com)

### Germany:

[germany@dancover.com](mailto:germany@dancover.com)

### France:

[france@dancover.com](mailto:france@dancover.com)

### Sweden:

[sverige@dancover.com](mailto:sverige@dancover.com)

### Finland:

[suomi@dancover.com](mailto:suomi@dancover.com)

### Poland:

[polska@dancover.com](mailto:polska@dancover.com)

### Luxembourg:

[luxembourg@dancover.com](mailto:luxembourg@dancover.com)

### Portugal:

[portugal@dancover.com](mailto:portugal@dancover.com)

### Spain:

[espana@dancover.com](mailto:espana@dancover.com)

### Italy:

[italia@dancover.com](mailto:italia@dancover.com)

### Switzerland:

[schweiz@dancover.com](mailto:schweiz@dancover.com)

### Austria:

[austria@dancover.com](mailto:austria@dancover.com)

### Norway:

[norge@dancover.com](mailto:norge@dancover.com)

### Nederland:

[nederland@dancover.com](mailto:nederland@dancover.com)

### Ireland:

[ireland@dancover.com](mailto:ireland@dancover.com)

### Belgium:

[belgique@dancover.com](mailto:belgique@dancover.com)