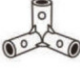












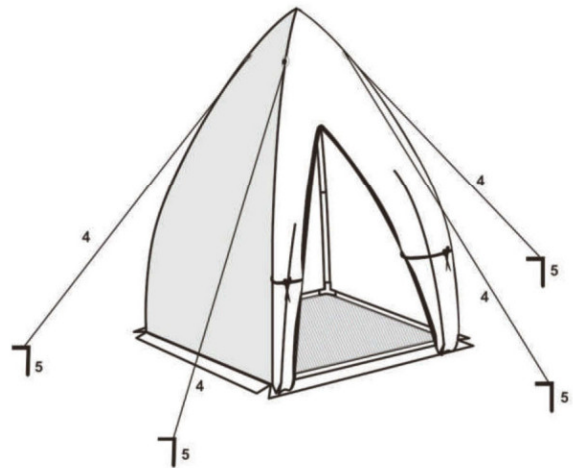
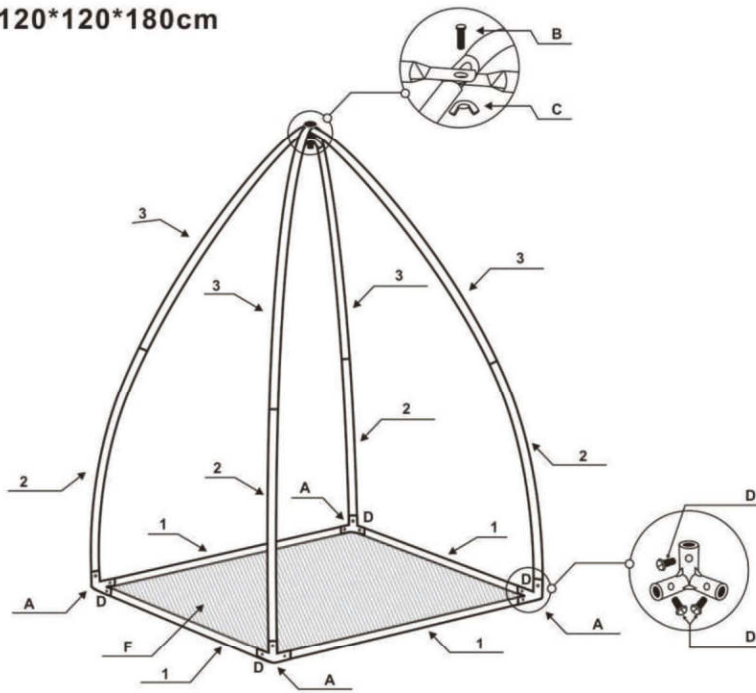
DANCOVER[®]

.com

Manual
for
Portable Greenhouse
Igloo
1,2x1,2x1,8m

| NO. | A | B | C | D | 1 | 2 | 3 | F | G | 4 | 5 |
|----------|---|---|---|---|---|---|---|--|---|---|---|
| |  |  |  |  |  |  |  |  |  |  |  |
| Quantity | 4 X | 1 X | 1 X | 12 X | 4 X | 4 X | 4 X | 1 X | 1 X | 4 X | 4 X |

120*120*180cm



MOBILES ÜBERWINTERUNGSZELT – IGLOO –

MOBILE PLANT TENT – IGLOO –

Contact information

Head office:

Dancover A/S
Nordre Strandvej 119 G
3150 Hellebæk
Denmark

For more information
please visit:
www.dancovershop.com

National contact

Denmark: 70 26 76 20
denmark@dancover.com

UK: 020 8099 7570
uk@dancover.com

Germany: 041 0266 7040
germany@dancover.com

France: 0975 181 800
france@dancover.com

Sweden: 040 233 262
sverige@dancover.com

Finland: 0 931 581 720
suomi@dancover.com

Poland: 22 300 8602
polska@dancover.com

Luxembourg: +49 041 0266 7040
luxembourg@dancover.com

Portugal: 308 800 899
portugal@dancover.com

Spain: 911 436 828
espana@dancover.com

Italy: 02 479 21 198
italia@dancover.com

Switzerland: 0840 000125
schweiz@dancover.com

Austria: 0662 626935
austria@dancover.com

Norway: 231 00 690
norge@dancover.com

Nederland: 0 858 880 524
nederland@dancover.com

Ireland: 0 151 33 003
ireland@dancover.com

Belgium: 0 28 08 08 09
belgique@dancover.com