

DANCOVER[®]

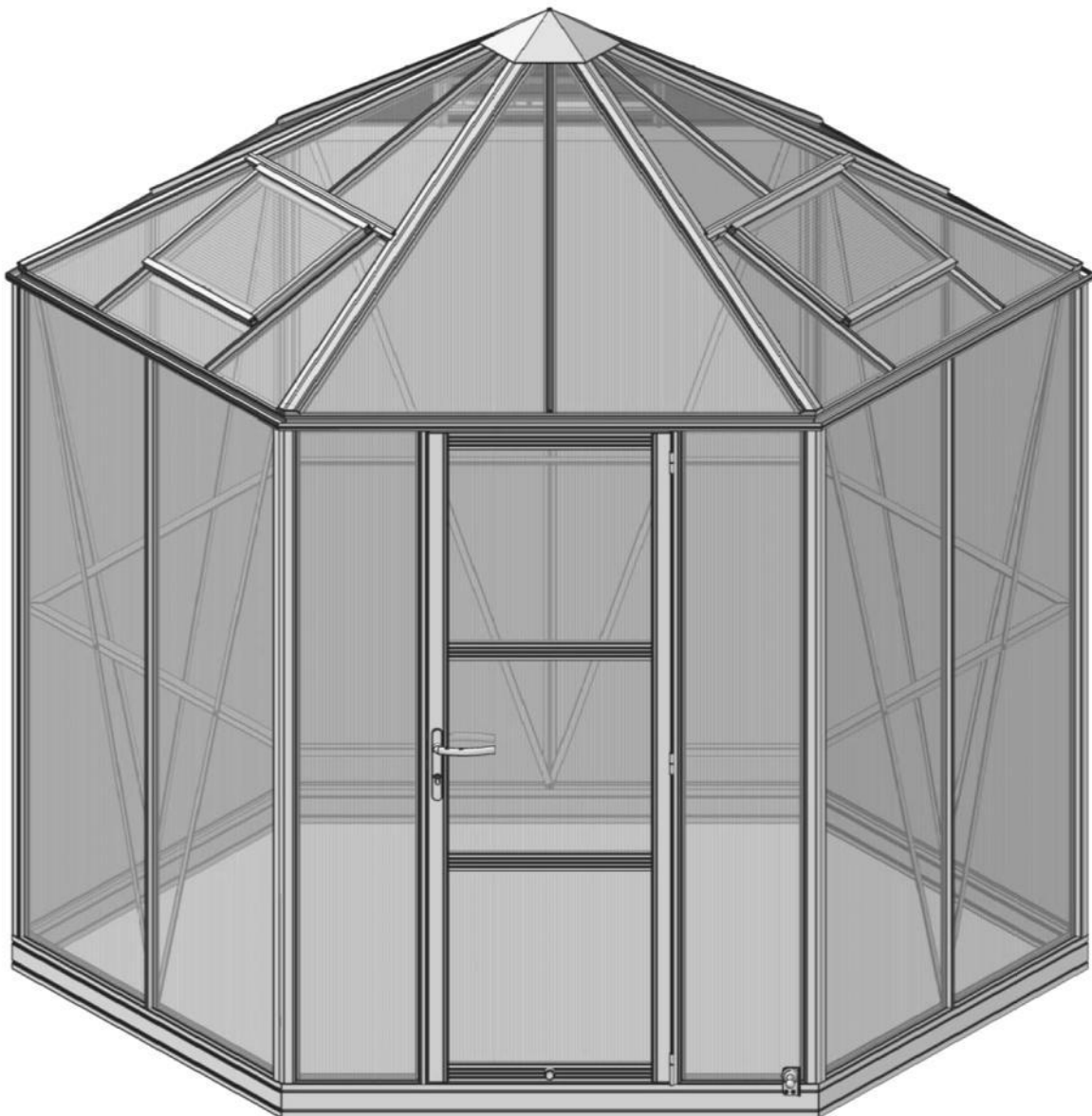
.com

Manual
for
Orangery Hexagonal
3,04x2,63x2,73m

Orangery

Assembly Instructions

— For Single Hinged Door



Walk-in Greenhouse

Thank you for purchasing your new greenhouse. We recommend you familiarize yourself with the instructions and read all safety information before you commence assembly.

These instructions are divided into sections: Base, Part lists, Preparation, Side wall, Rear wall, Front wall, Roof, Vent, Door, PVC capping bar, Polycarbonate or Glass, Down pipes, Optional Turbine Vent, Anchoring greenhouse to slab or base etc.

Shelving and Staging inside greenhouse are optional also, not including in this instructions.

Package 1(x2) mainly for side wall parts, Package 2 for front and rear gable parts and side wall sill bottom bars parts, Package 3 for roof frames and parts, Package 4 for vent parts, Package 5 for door parts, Package 6 for PVC bars and fixing clips parts, Package 7 for down pipes parts, and etc.

Safety Warning

1. Aluminum profiles, polycarbonate and glass can potentially cause injury. Please ensure you wear protective goggles, gloves, headgear and suitable footwear when assembling and glazing the building.
2. Please remember that glass is fragile and should be handled with extreme care. Always clear up and dispose of any breakages immediately.
3. Do not assemble the greenhouse in high winds.
4. For safety reasons and ease of assembly, we recommend that this greenhouse is assembled by a minimum of two people.
5. The product you have purchased is intended only for the growing of plants and should only be used for this purpose. When used for other purposes we will take no responsibility.
6. When using a step ladder one person should steady it at all times whilst the other works.
7. Should you encounter difficulties constructing this house, or in positioning the glass or polycarbonate sheets, please contact your retailer– do not use force!
8. The greenhouse must always be anchored.
9. Please clear all lying snow from the greenhouse roof as it can cause the roof to buckle or collapse.

Site Preparation

1. When selecting a site for your greenhouse, Always try to select a sunny location, it is vital that you choose as flat and level an area as possible.
2. Supplier's original chamber box section Alu. base or a concrete or slab base will provide the most solid foundation for your greenhouse.
3. Do **not** fix your building down until the building is fully assembled, including glazing.
4. Avoid placing your greenhouse under trees or in other vulnerable locations.
5. To minimize the risk of wind damage, try to select as sheltered a site as possible, e.g. beside a hedgerow or garden fence.

Important

Before assembling your new greenhouse, please check that all parts in the provided list are included. Please take each bundle out of the packaging in order to identify the parts better. Most parts are numbered and can be identified by a stamped number or removable label. Alternatively, the components can be identified by lengths detailed in the packing list (see diagram below). Please also note that **NOT** all parts for a specific area will be packed together, i.e. door related components are packed together and some are used in main frame construction. and some side wall bottom sill bars parts were packed in front & rear wall parts package No.2.

It is important that the opened bundles do not get mixed with one another. If something is missing please contact your retailer.

Additional Considerations

1. Please bear in mind that assembling your greenhouse can be time consuming. You may need to spread the construction over two or more days. We recommend that you avoid leaving the building partially glazed. If you ever have to leave your greenhouse half assembled and not anchored down, weigh it down with slabs or bags of sand to stop the wind moving it.
2. You will find it helpful to prepare a large, clean and clear area in which to work in. A garage floor or flat lawn area is ideal.
3. Anchoring down your greenhouse should be the final stage of construction just after glazing.

Necessary Tools

Screw drivers (Normal and Crosshead PH2), 10 mm socket spanner or wrench, 10 mm combination spanner, knife, measuring stick, spirit level, Accu-drill with adjustable torque, Step ladder.

Maintenance

The greenhouse should be thoroughly washed with a gentle detergent occasionally. Please check that the detergent used does not react aggressively with aluminium or plastic.

Ensure that the door tracks are cleaned regularly to avoid a buildup of debris, If hinged door, the hinge should be lubricated usually.

Guarantee

Your new greenhouse is guaranteed against faulty manufacture of the framework. This does not include glazing, moving parts, accidental damage or wind damage etc.

Base

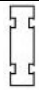






We cannot emphasize how important it is to have a proper base for your Greenhouse to be erected upon.

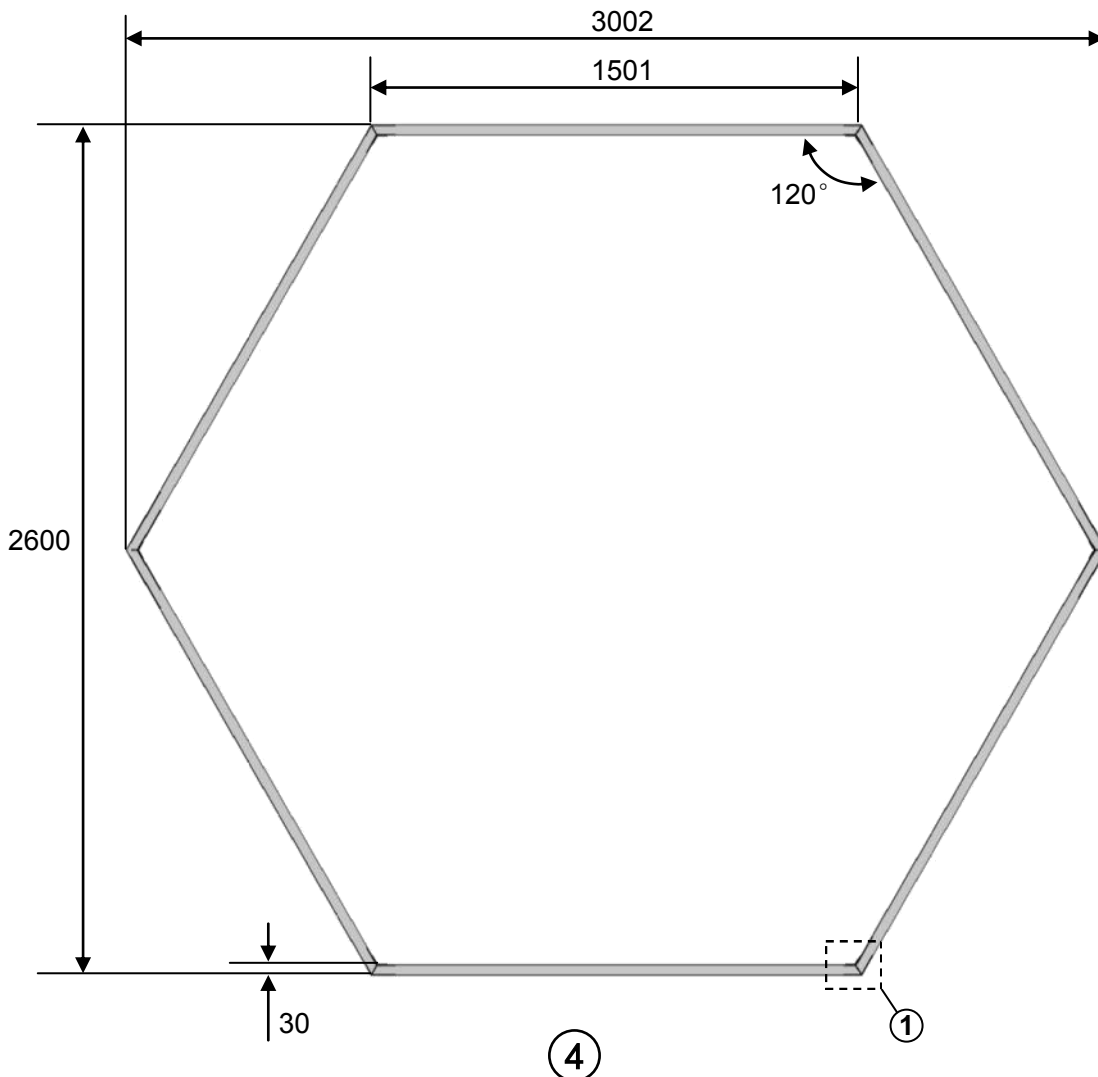
It is essential that the **BASE IS FLAT, LEVEL AND SUBSTANTIAL** enough to take the weight of the greenhouse including its polycarbonate panels or heavy glass.

Give yourself enough room around your base to allow for fitting the polycarbonate panel or glass and any ongoing maintenance / cleaning. A slab base which is larger than the greenhouse is the ideal solution and is our preferred foundation. If you use supplier's original chamber box section alu. base, also recommended.

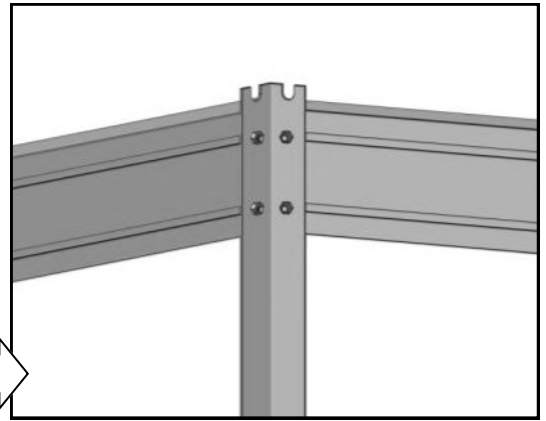
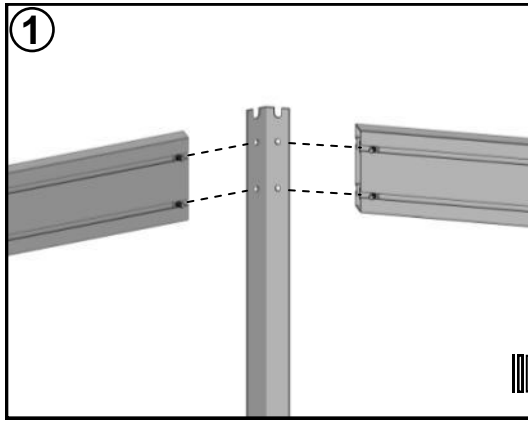
A brick perimeter base is equally suitable providing there is a concrete foundation beneath it. We suggest using a solid brick with no frogs or holes (quality stock bricks or semi-engineering bricks).

IMPORTANT: Do not anchor your greenhouse down until it is fully assembled including glazing unless you are 100% sure your base is square and level. If not your polycarbonate panels or glass will not fit properly.

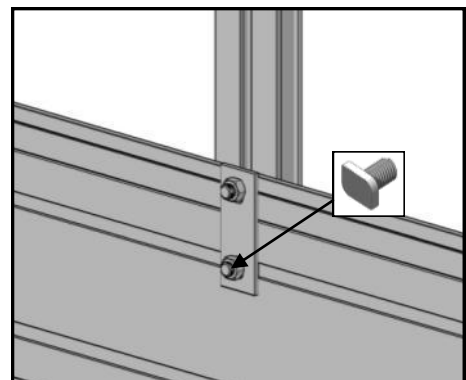
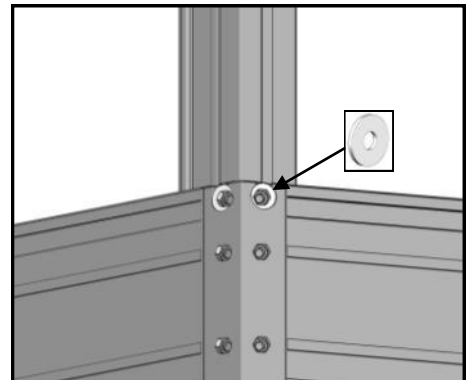
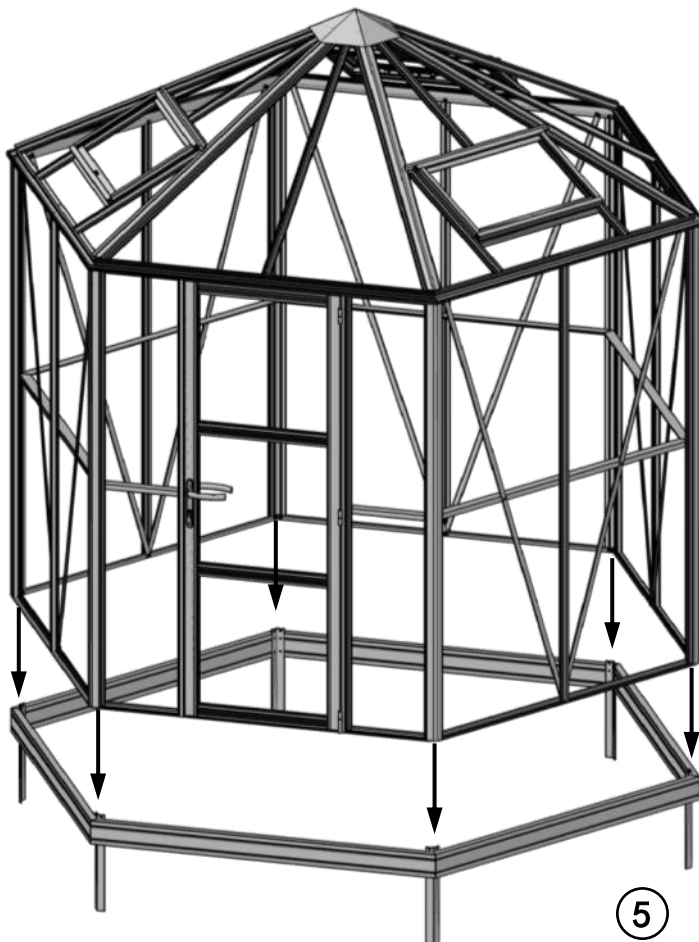
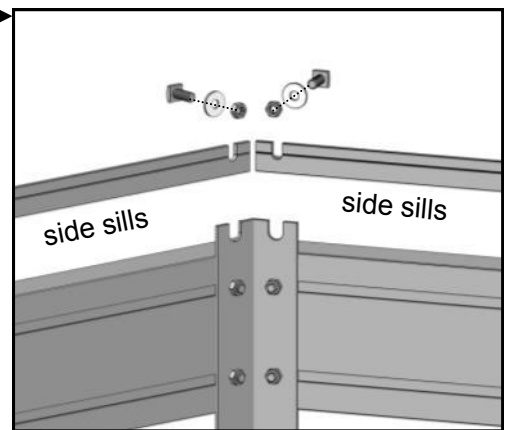
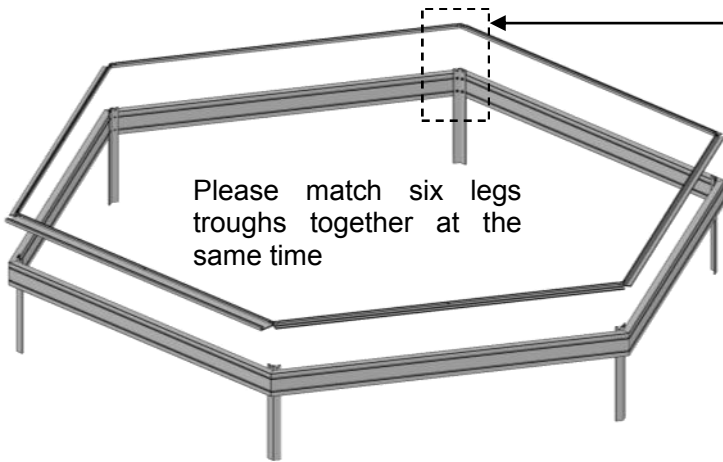
							
	Base	Anchor legs	Fixing tabs	M6x10	M6	M6x10 Crop	Washer
HEX10	6x1501	6	7	24	31	7	12



Base



IMPORTANT Before assembling aluminium base, the end trough centers of seven legs should match both end trough centers of side sills and front & rear sills at the same time.



Parts List

Package 1 (in GH170020-02)

#	7901	7607	7905	7906	7910	7911	a1	a2	a3	a20
Size	1922	1922	1520	1520	2033	1450	M6x10	M6	M6x15	-
QTY	3	2	1	1	4	2	20	26	6	26

Package 2 (in GH170020-01)

#	7022	7902	7904	7906	7607	7530	7531	7910	7911	7913	a1	a2
Size	1462	1462	1520	1520	1922	1922	1922	2033	1450	375	M6x10	M6
QTY	5	1	1	1	1	1	1	2	1	2	18	31

#	a3	a19	a20	h1	h3	Rubber
Size	M6x15	M6x8	-	30	62	-
QTY	7	6	25	2	1	4M

Package 3 (in GH170020-03 and GH170020-04)

#	7914	7916	7917	7918	7921	7991	7992	7993	7994	m3	p10	a1
Size	1534	1352	695	623	819	81	-	-	-	-	-	M6x10
QTY	6	3	3	6	3	1	1	1	1	9	6	63

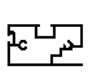
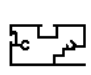
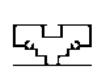
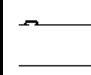
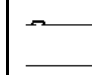
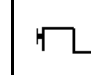
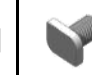


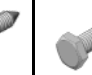
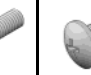
#	a2	a24	a25	a20
Size	M6	M6x110	M6-L	-
QTY	63	1	1	63

Package 4 (in GH170020-03)

#	7950	7951	7952	7924	7953	7067	a1	a2	a4	a7	a10	p3	a20	p11
Size	631	610	593	400	250	-	M6x10	M6	Φ3.9x8	M4x8	M4	-	-	-
QTY	1	1	1	2	1	2	8	8	2	6	6	2	8	4


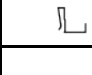

Parts List

Package 5 (in GH170020-01)






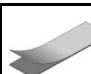
											
#	7520	7521	7522	7526	7527	7529	a9	a2	a5	a11	a19
Size	670	670	670	1909	1909	569	M6x10	M6	Φ3.5x19	M6x25	M6x8
QTY	1	1	2	1	1	6	2	20	16	2	17

					LOCK	
#	h1	h7	m12	S1/S2	L1-L9	Fluff
Size	30	-	-	-	-	
QTY	3	3	1	1 SET	1 SET	0.7M

Package 6 (in GH170020-01 and GH170020-03)

	DWG	Length	QTY
Side Wall PVC capping bar and clips		1921	24
		16	22
Roof PVC capping bar		1512	6
		1352	6
		777	6
		695	6
		688	6
		623	6
		186	6

Package 7 (in GH170020-01)

						
#	P11	P12	P13	P15	a18	-
mm			1800		Φ3.5x13	100
QTY	2	2	2	2	2	6

ASSEMBLY SYNOPSIS: IMPORTANT INFORMATION / CONSIDERATIONS

BASE

Base dimensions and recommendations. Ensure that your base is level as this will make assembly of the building, especially the glazing of the roof much more straight forward.

PARTS LIST Most components should have a code punched into their metal surface. Identify and separate all like for like components prior to assembly. The parts lists also separates parts into the various sections Package 1 - Package 7 shown above. Parts can also be identified by their profile pictures and stated lengths etc..

PREPARATION The frame is assembled by feeding square headed bolts, either 10mm or 15mm in length into the slots on glazing bars and then locating those bolts through holes in purlings and cills, etc... Twist in (rectangular) crop headed bolts are also used towards the end of construction to attach components to the frame when the glazing bar slots are no longer exposed at the ends. On the door frame posts #7530 & #7531 and door horizontals #7520 & #7521 & #7522, nuts are slid into the channel rather than bolts to ensure minimum protrusion. Tools required / recommended.

SIDE WALL

Use 10mm and 15mm bolts to join the components (note how the head of the bolt slides into each glazing bar during construction). The correct choice of bolt is highlighted with a number #a1/#a3 in each of the diagrams.

Do the same for Rear wall & Front wall later.

JOINING TWO SIDE WALL SECTIONS TOGETHER 1

-----REAR WALL

Use the gutter #7906 and sill #7022 and side horizontal bracing bar # 7911 to join two side wall together on rear wall, It is a good idea to tie some step ladders to the sides to support them if you do not have anyone to hold them for you.

JOINING TWO SIDE WALL SECTIONS TOGETHER 2

----- FRONT WALL

Use the gutter #7904 and sill #7902 to joining two side wall together on front wall.

IMPORTANT: The front wall contain a door posts #7530 & #7531, Please also ensure that the door rubbers are inserted into door frame posts # 7530 and #7531.

#7531 houses the door strike #L9 by sliding NUTS into the provided channel. #7530 houses the door hinges #h1 /#h3 which are fitted in a similar way to the strike using the low protrusion #a19 round headed bolts.

The strike and hinge components are packed with the other door components Package 5. Ensure that the strike is in the correct orientation with the catch hole uppermost. The height the hinges are set at is not important at this stage, they will be set in section of door assembly later.

ROOF

Assemble 6 roof corner bars #7914 on hexagonal roof bracket #7992 . Please note #7914 overlap bracket by distance of 42 mm. tighten all bolts.

Then lift the assembly onto the roof, Herein you should use step ladders. Loosely Connect the roof corner bars to the eaves at all 6 corners.

Please note: At this stage you need to decide where your roof vents are positioned so that you could insert an extra bolt into each roof corner bar either side of a vent opening.

Connect 3 roof vent hinge beam #7921 to roof corner bar with joining plate #m3.

Join 3 short roof glazing bars #7917 between the hexagonal roof bracket #7992 and the center of vent hinge beam #7921. Please note: #7917 overlap bracket by distance of 24 mm at the one end, and connected vent hinge beam by joining plate #m3 at the another end.

Join 3 roof glazing bars #7916 between the hexagonal roof bracket #7992 and the center of eave . Please note #7916 overlap bracket by distance of 24 mm, tighten all bolts.

Assemble the outer hexagonal ridge cone #7994 over the assembled profiles on hexagonal bracket, using long bolt #a24, spacer #7991, open-close disc #7993 and locknut #a25.

DOOR IMPORTANT:

Ensure that you get the three door horizontals#7520 & #7521 & #7522 in the correct orientation. Each horizontal needs two NUTS slid into it which need to line up with the corresponding holes in the door stiles.

TIP: Once you have checked that the handle assembly (L5 / L6 / L7) fits properly you may wish to remove them until the end of the door construction so that the door lies flat on your workbench.

DOOR ATTACHMENT

Though it is possible to build the rest of the greenhouse single-handed, fitting the door is much easier with an extra pair of hands to support the door in its open position when you are moving the h1/h3 into their preferred positions. The height of the door hinges will need to be adjusted by sliding them up and down, h3 sitting down towards the cill at the bottom. Getting the door to swing perfectly without dropping or rubbing on the cill may require some small but vital adjustments. You may also need to insert a packer underneath the door aperture cill #7902 towards the door hinges to avoid interference.

IMPORTANT: Please do NOT let the door slam open or closed as it is likely to cause damage to the door and the frame. Please twist the handle to open and close. Please also be aware that your door KEYS (3 provided) are unique to the building so they should not be stored together.

GLAZING

For roof glazing, when glazing panels under hexagonal ridge cone (assembled already), PVC capping could be started to push in from middle upper area, then slid to the top area of panels.

For glass glazing, on the side walls, the single sided adhesive foam goes longitudinally over the greenhouse frame, the glass just sits directly onto the aluminium cills. Two glass fixing clip holding the glass on top in order not to let glass fall down. Remove the white paper on the foam before it gets wet as it is difficult to remove, i.e. it comes off in small pieces.

Layout the bar capping around the building like a sundial checking that all is present and correct. You can also place the roof capping in the gutters so they are closer to hand. It is a good idea to glaze two roof sections first to ensure the building is square followed by two side sections to ensure the building isn't leaning. Make sure the building is square and level before you undertake the glazing and make sure that you do not leave the building part glazed to prevent wind damage.

FINISHING TOUCHES


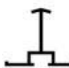



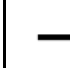

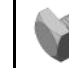


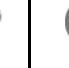
Now that the main body of the structure is complete you can add: downpipe fittings and roof corner bar end cover #p10. Use the silicone to seal between the gutter sections. The downpipe bracket #p15 are attached by carefully using #a18 self-drilling tapping screws which will bore into aluminium or plastic. The water outlet jointer #p11 edge should be trimmed firstly to match the gutter hole better.

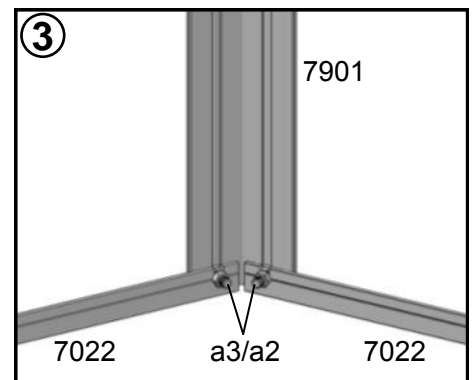
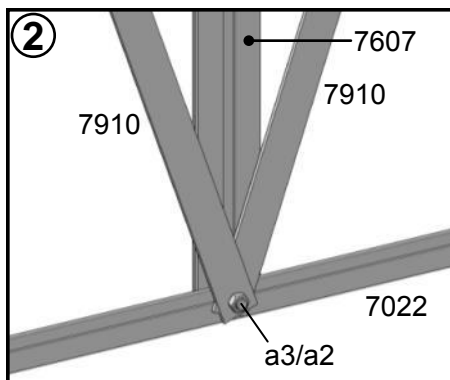
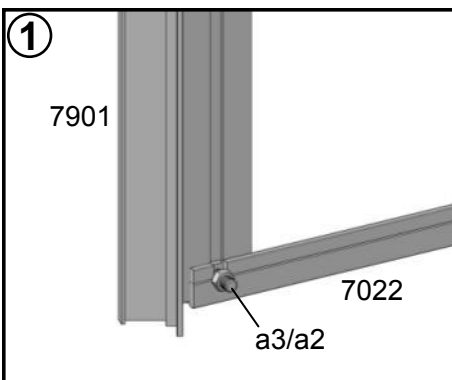
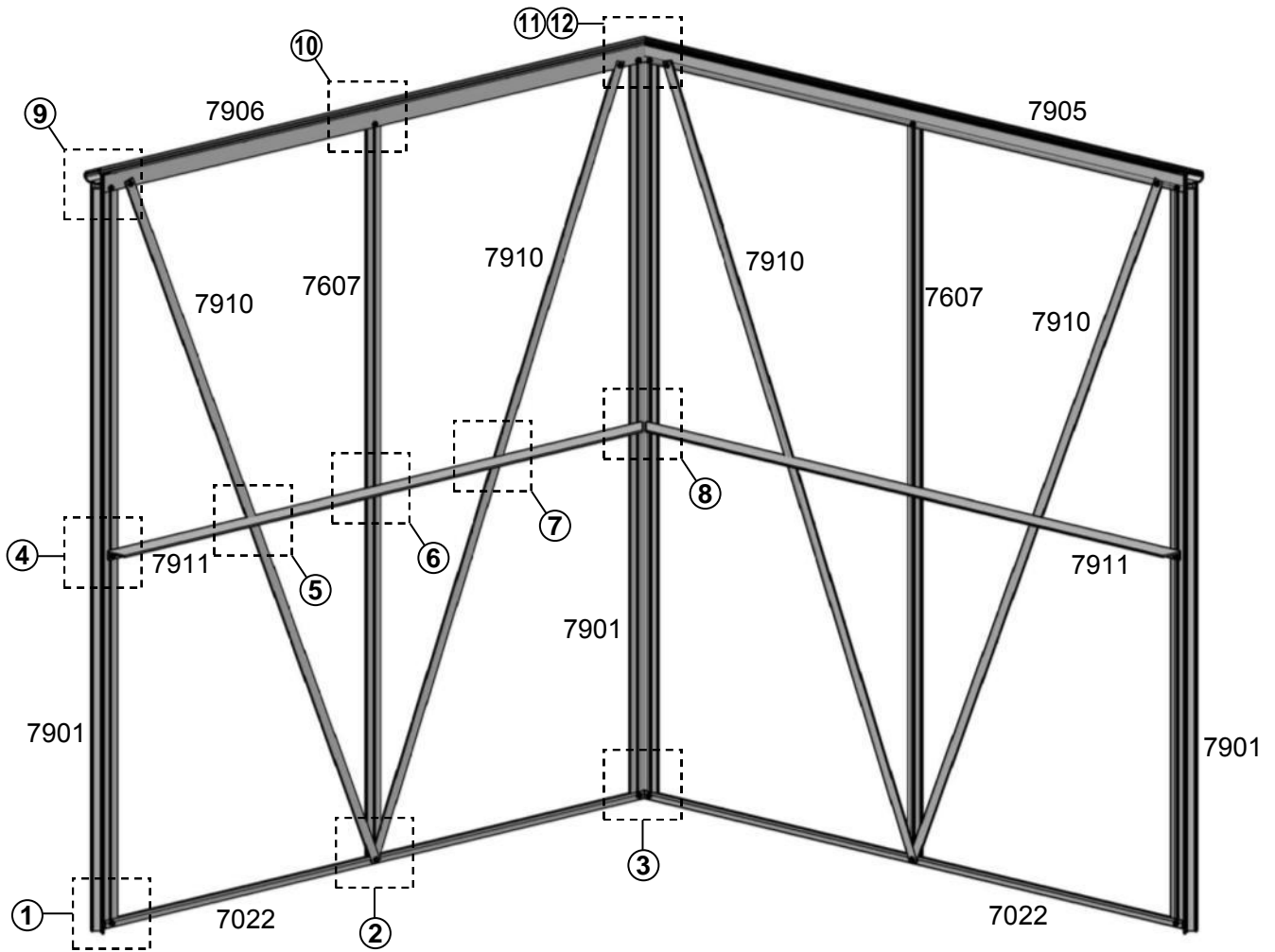
ANCHORING DOWN

Now that the greenhouse is finished and the door is operating without interference you need to anchor the building down using 2" rawl plugs and screws. Use a 8mm masonry bit in a hammer drill to create the holes through the M5 base brackets.

Side wall

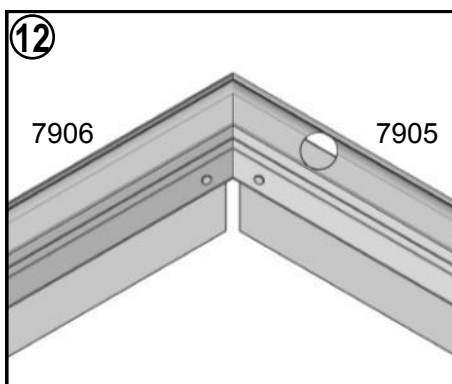
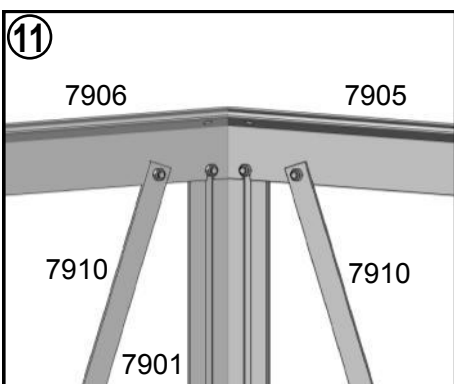
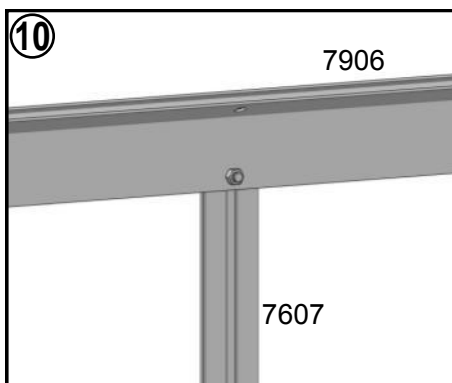
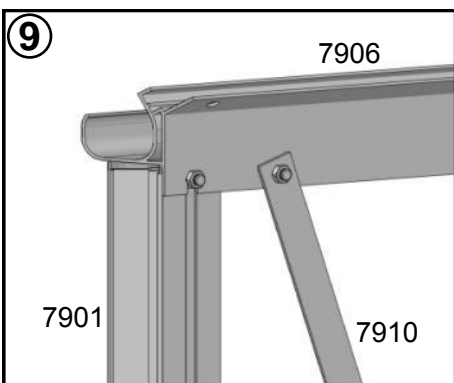
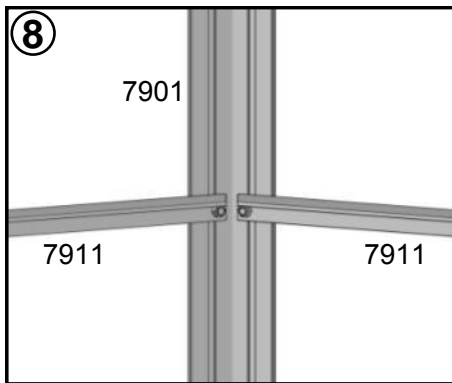
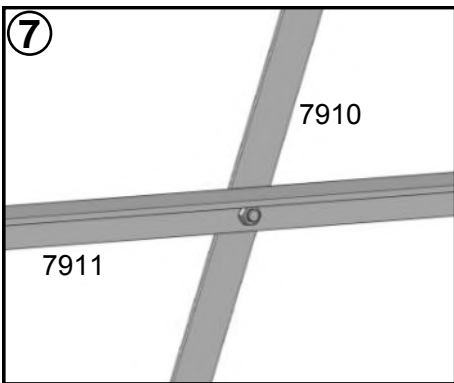
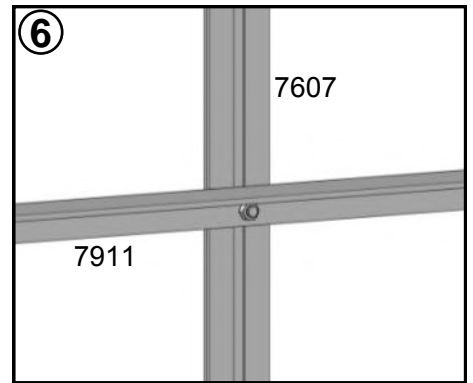
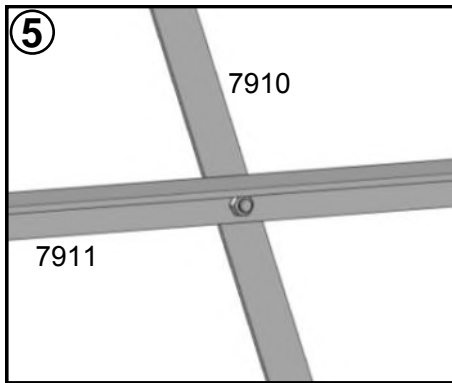
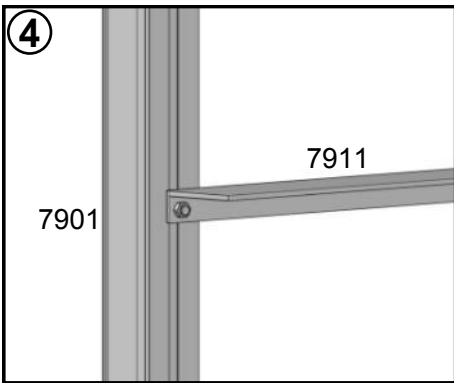
In Package 1 & Package 2

											
#	7901	7607	7022	7905	7906	7910	7911	a1	a2	a3	a20
Size	1922	1922	1462	1519	1519	2033	1450	M6x10	M6	M6x15	-
QTY	3	2	2	1	1	4	2	20	26	6	26
Package 1	✓	✓		✓	✓	✓	✓	✓	✓	✓	✓
Package 2			✓								



10

Side wall

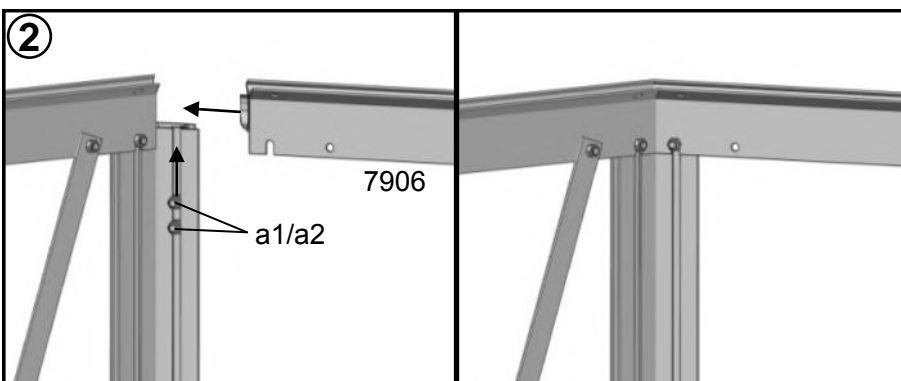
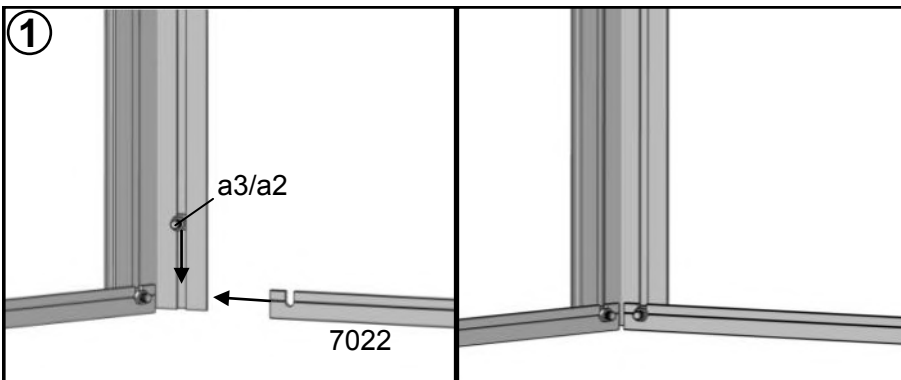
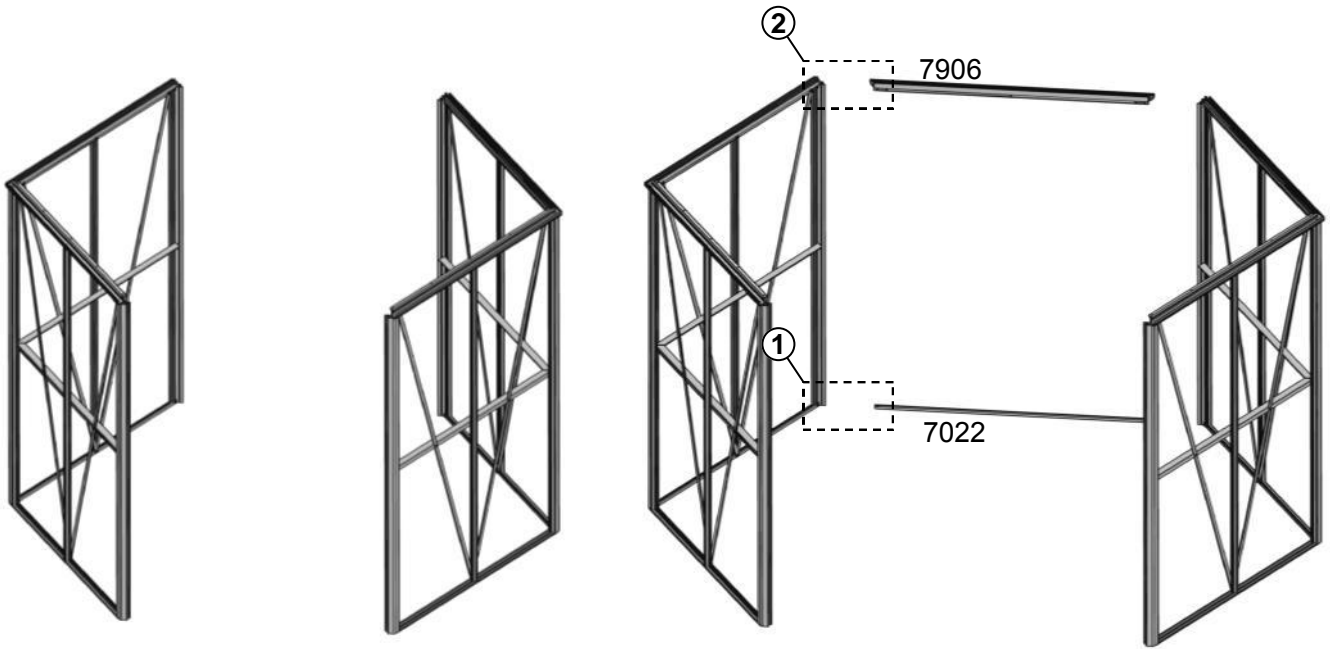


Rear wall

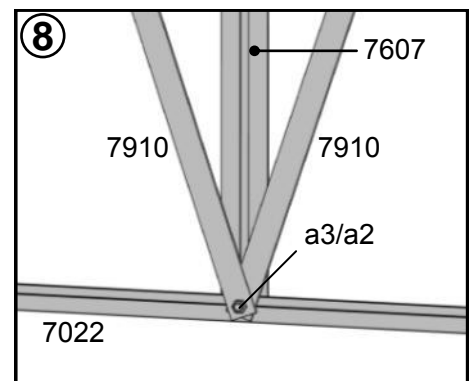
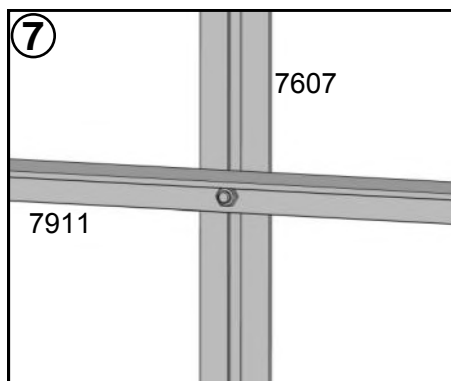
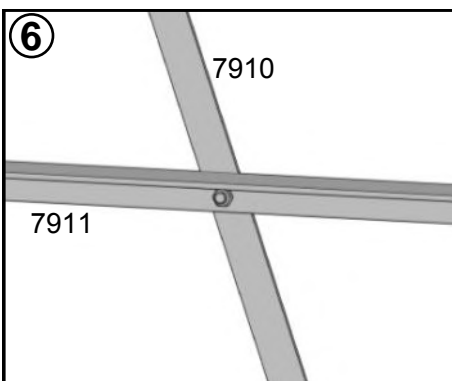
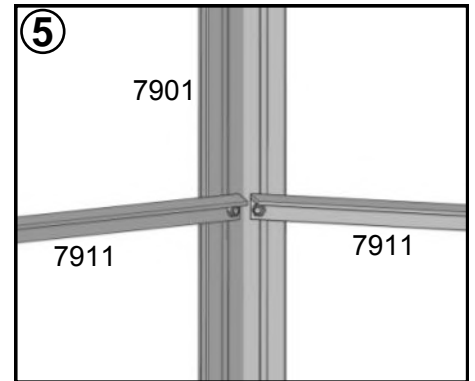
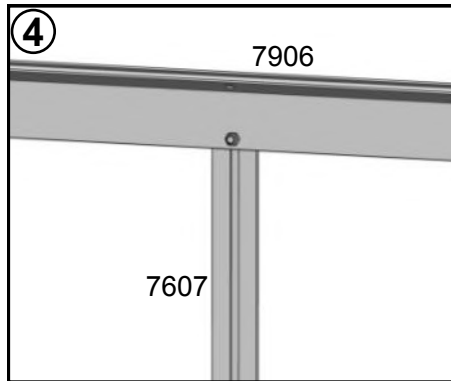
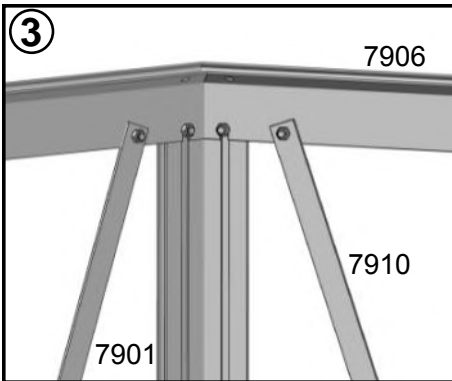
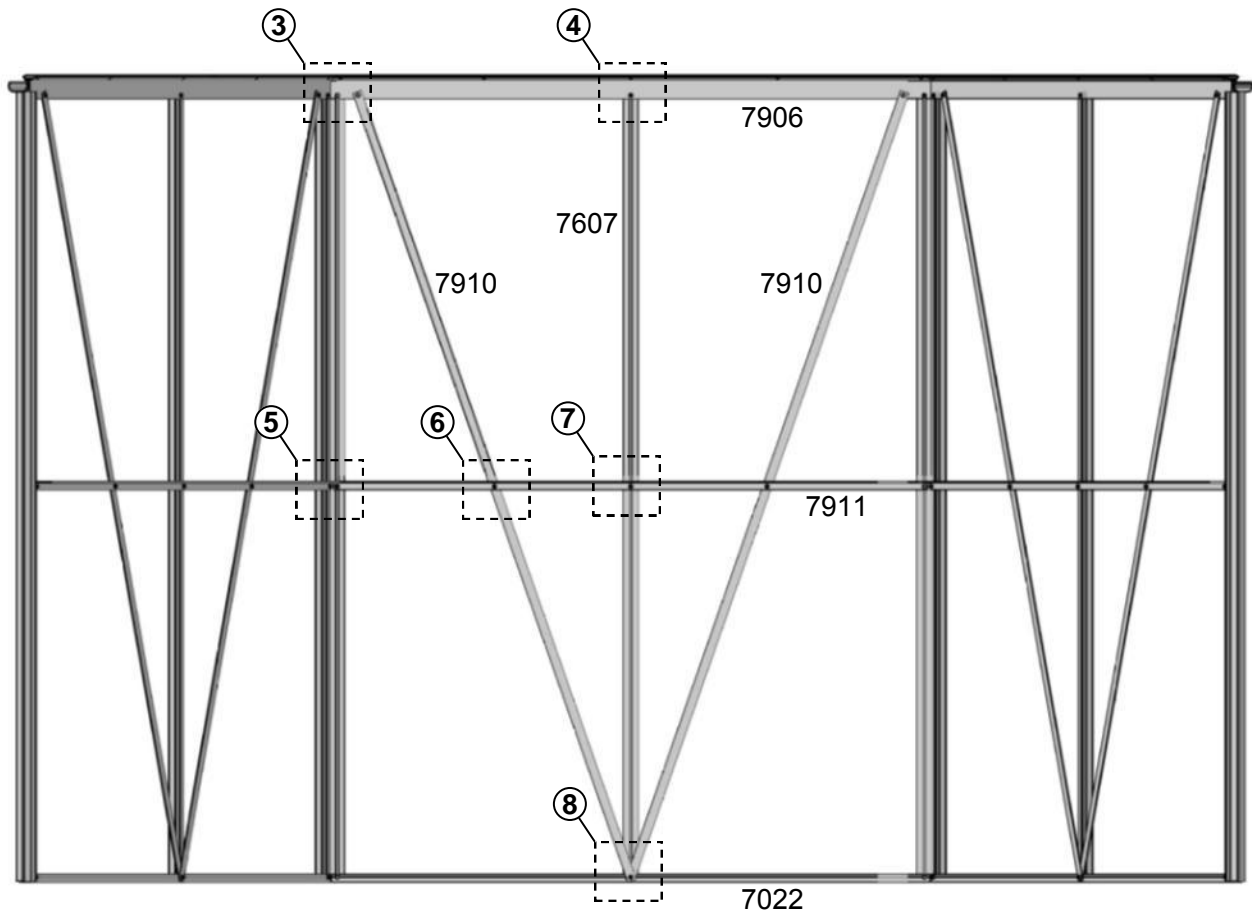
— Join **Side wall** together

In Package 2

#	7022	7906	7607	7910	7911	a1	a2	a3	a20
Size	1462	1519	1922	2033	1450	M6x10	M6	M6x15	-
QTY	1	1	1	2	1	10	13	3	13



Rear wall

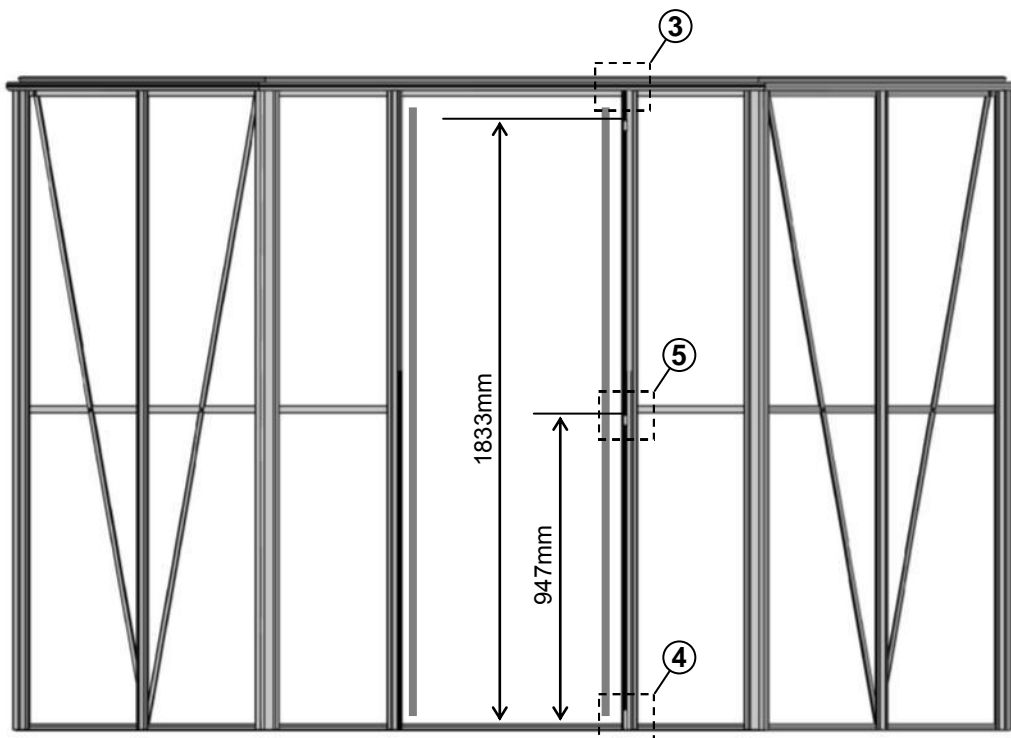
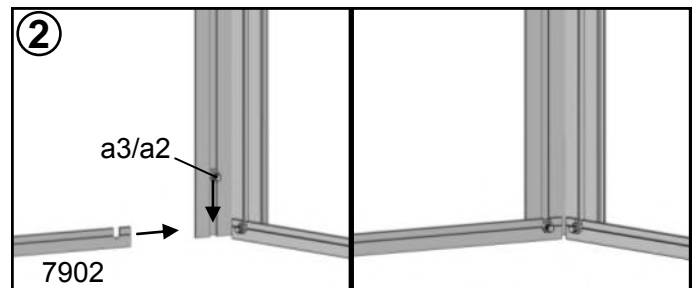
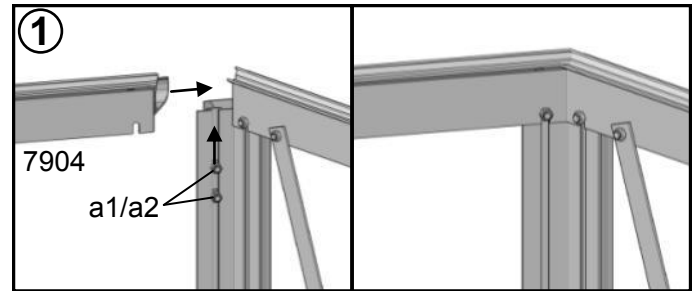
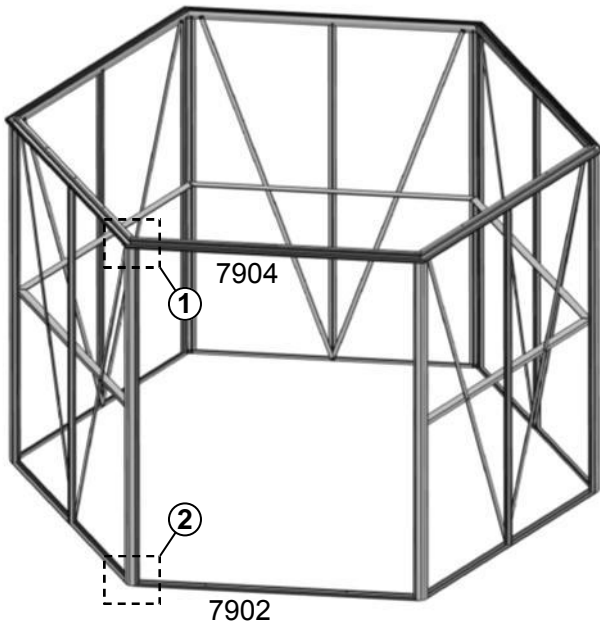


Front wall

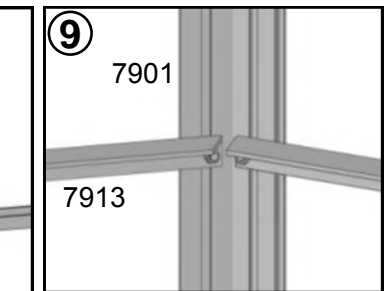
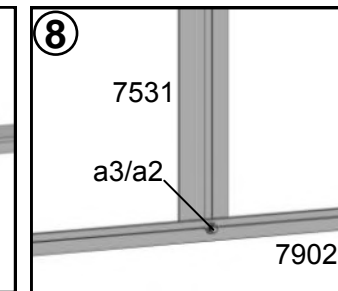
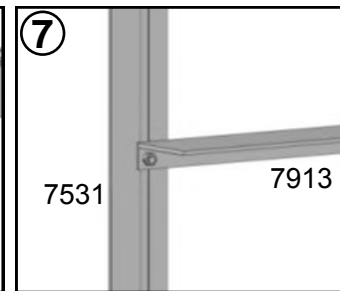
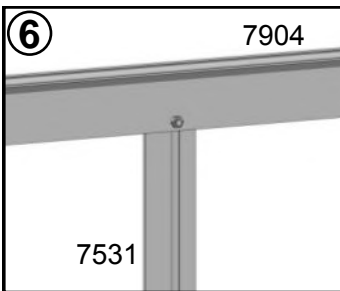
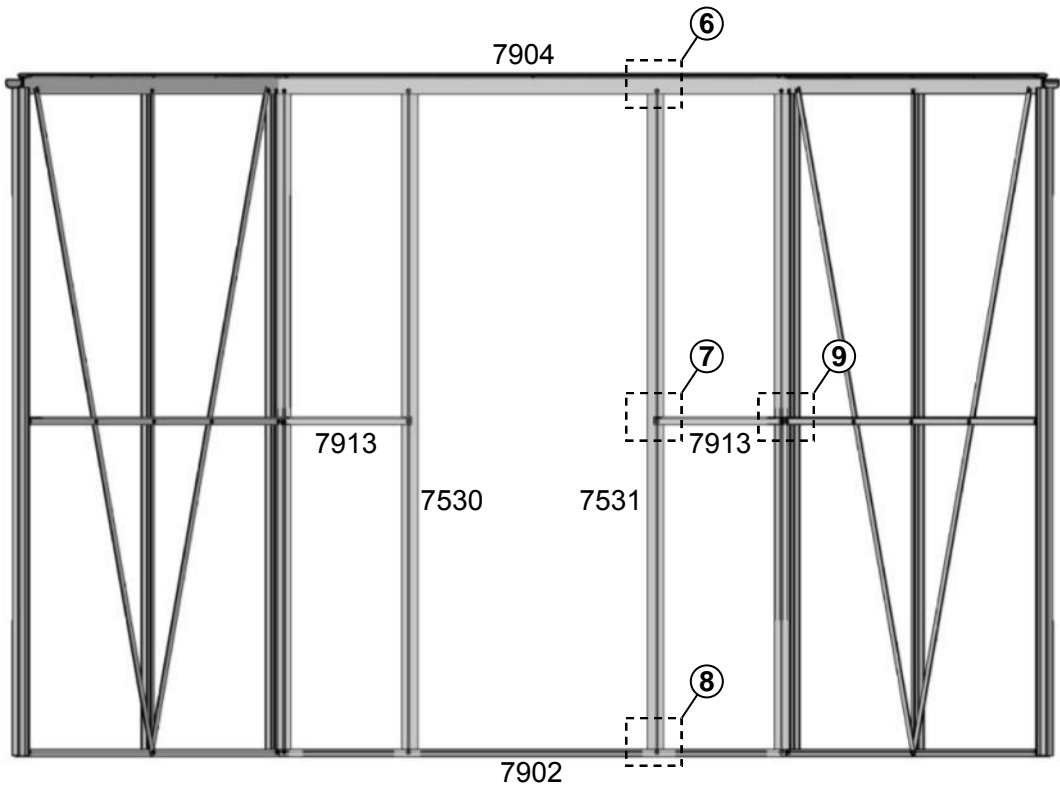
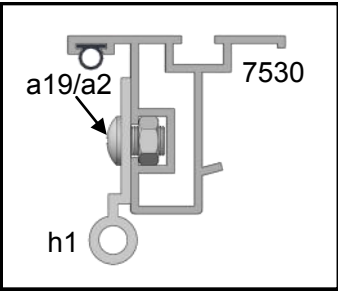
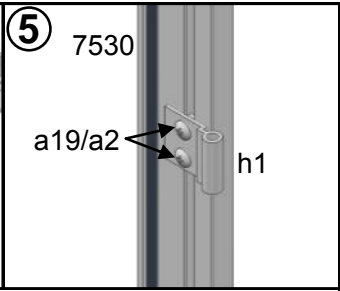
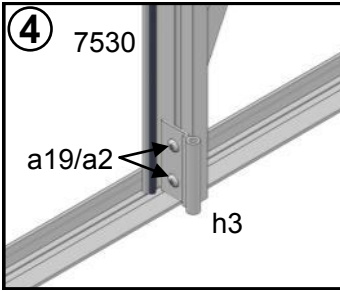
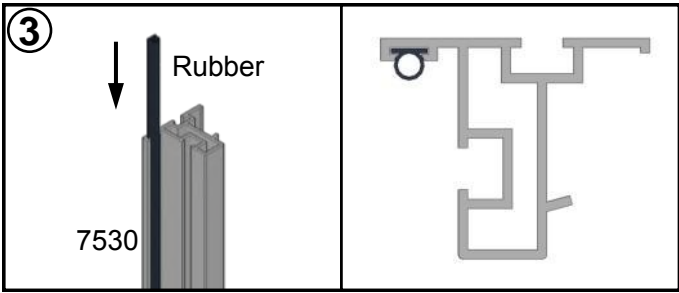
— Join **Side wall** together

In Package 2

#	7904	7902	7530	7531	7913	a1	a2	a3	a19	a20	h1	h3	Rubber
Size	1519	1462	1922	1922	375	M6x10	M6	M6x15	M6x8	-	30	62	-
QTY	1	1	1	1	2	8	18	4	6	12	2	1	4M



Front wall

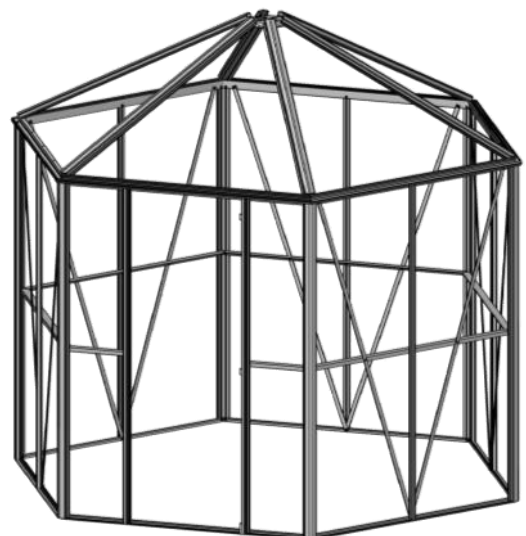
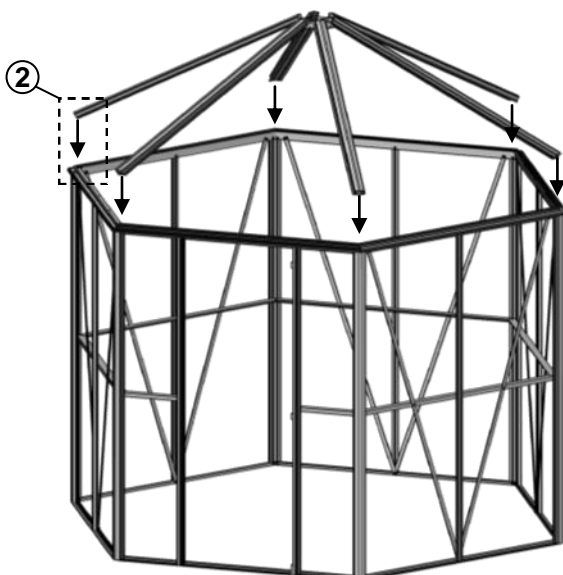
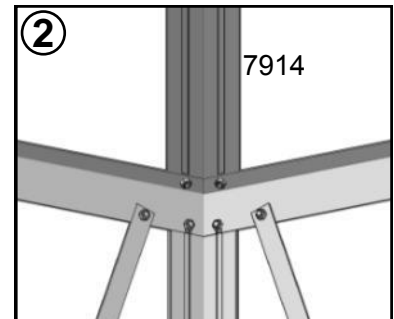
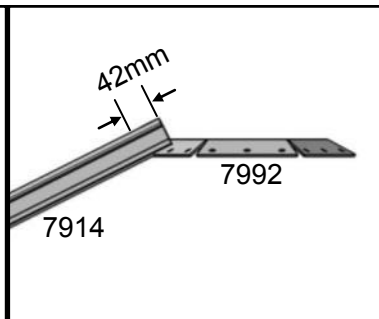
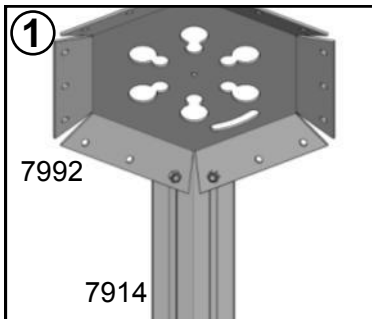
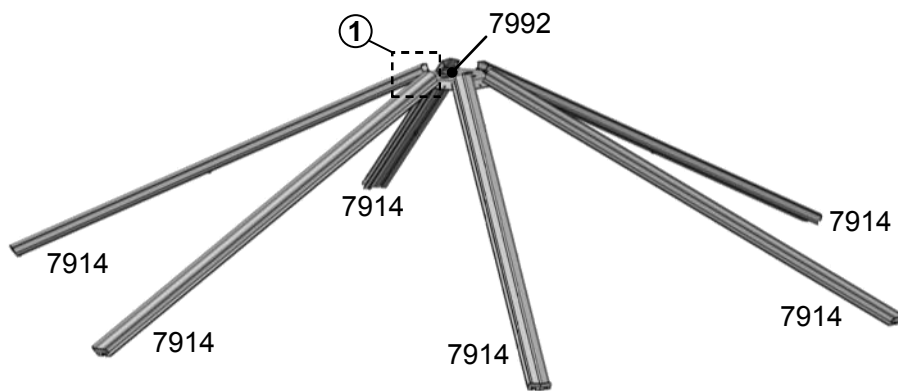


Roof

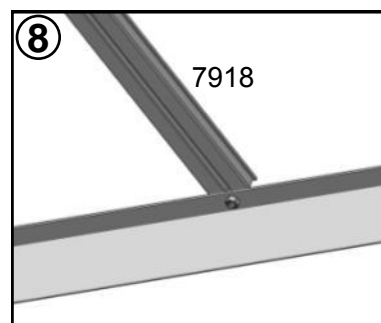
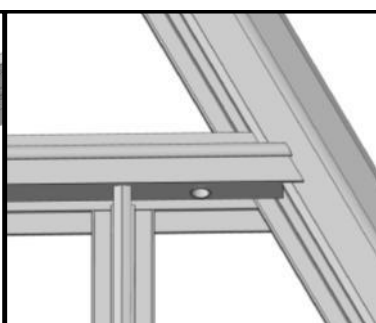
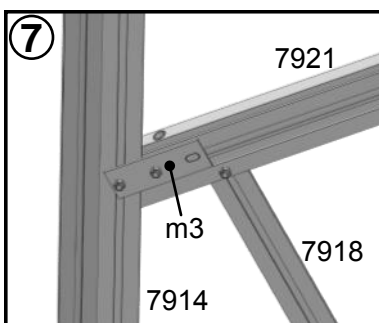
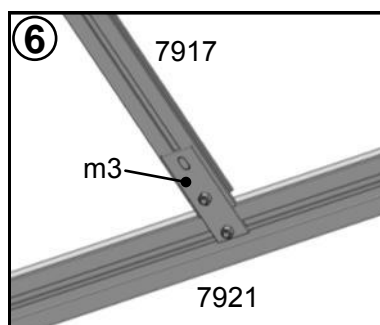
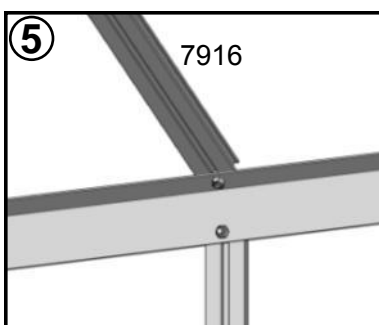
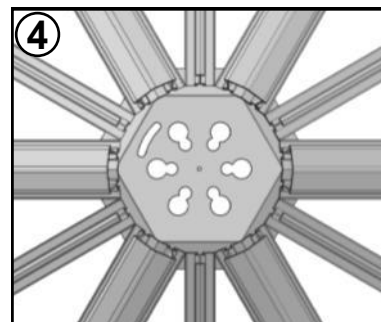
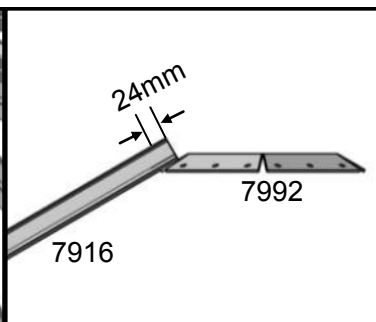
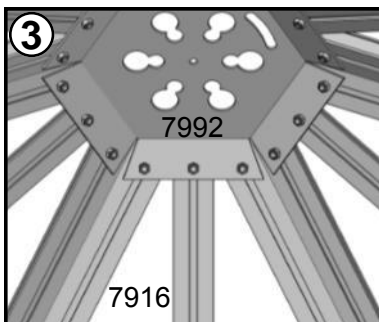
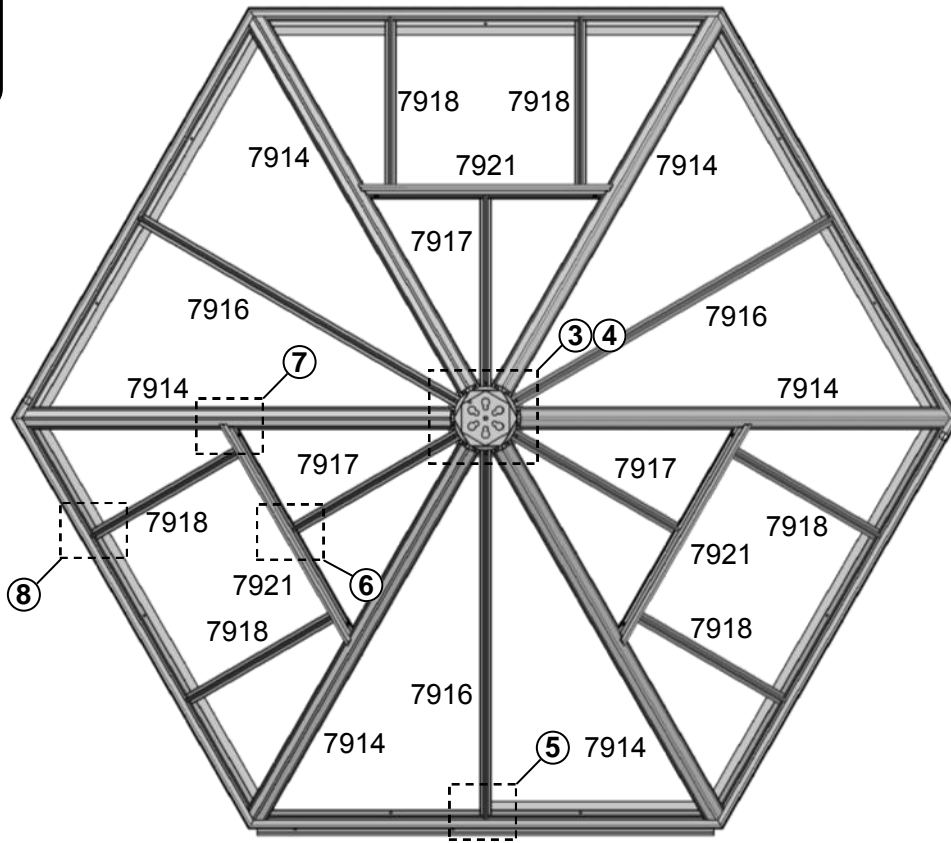
In Package 3

#	7914	7916	7917	7918	7921	7991	7992	7993	7994	m3	p10
Size	1534	1352	695	623	819	81	-	-	-	-	-
QTY	6	3	3	6	3	1	1	1	1	9	6

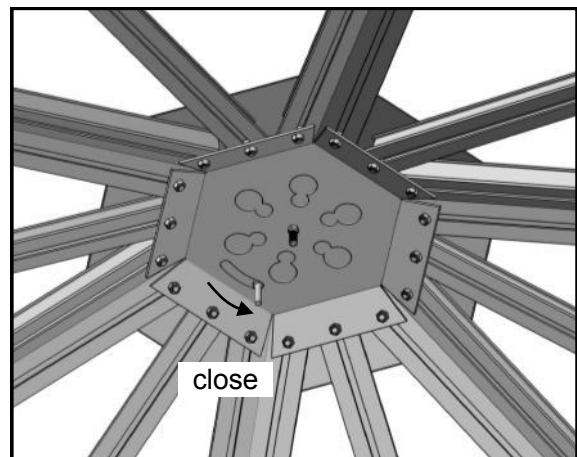
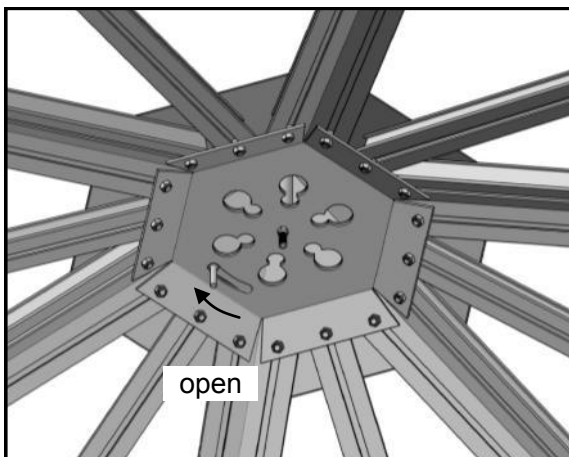
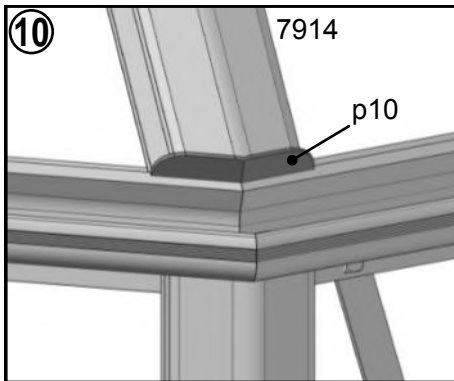
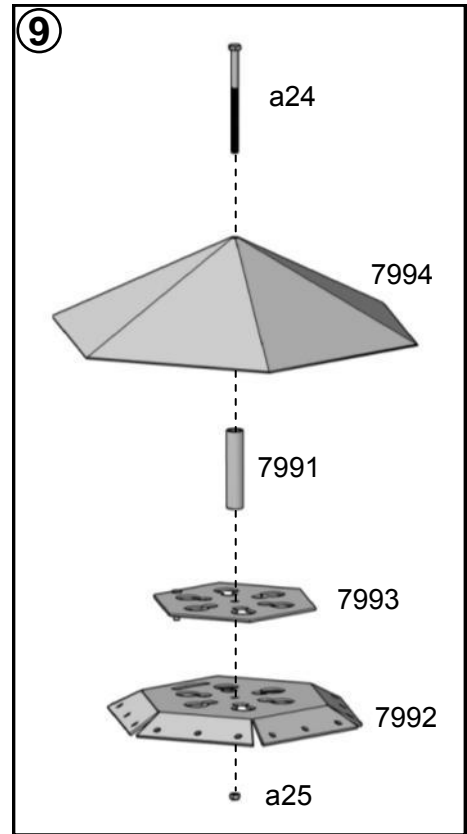
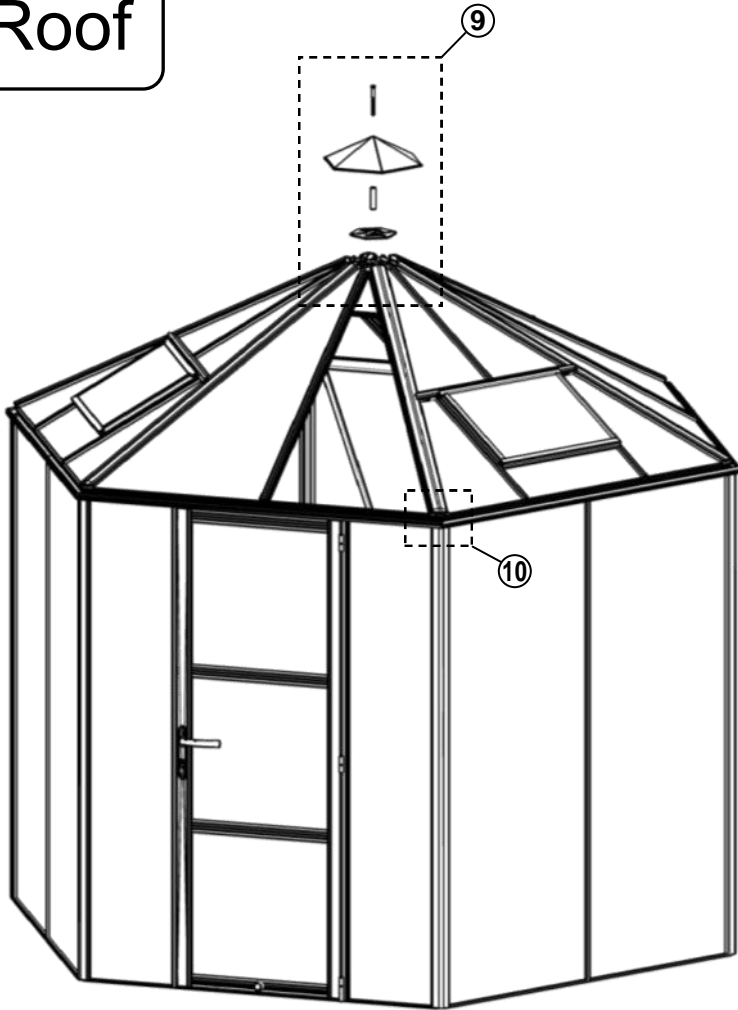
#	a1	a2	a24	a25	a20
Size	M6x10	M6	M6x110	M6-L	-
QTY	63	63	1	1	63



Roof



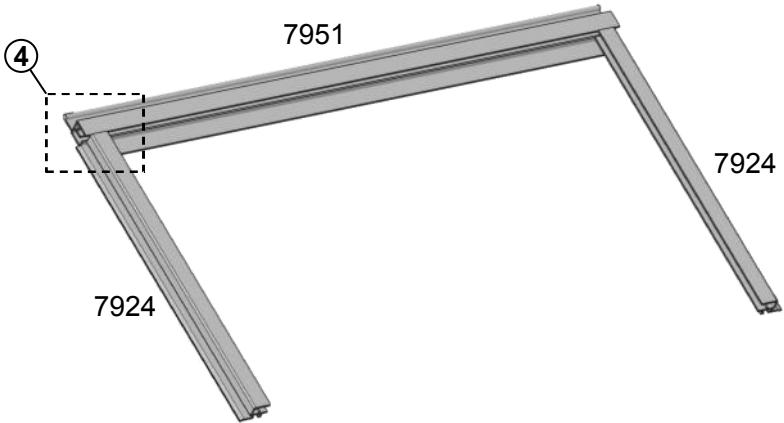
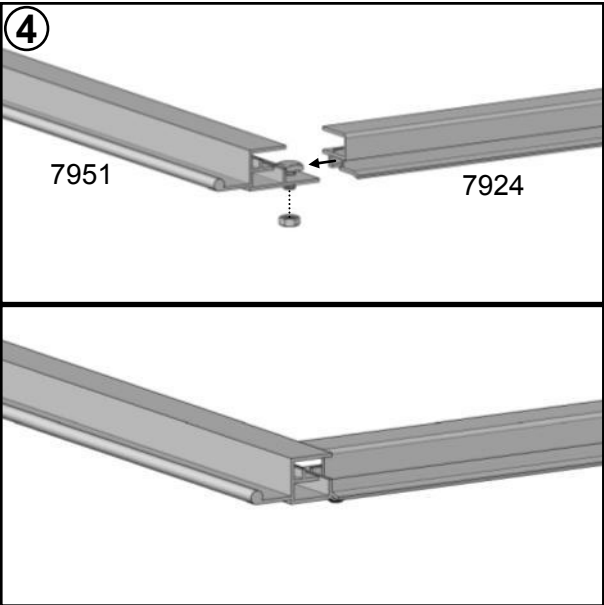
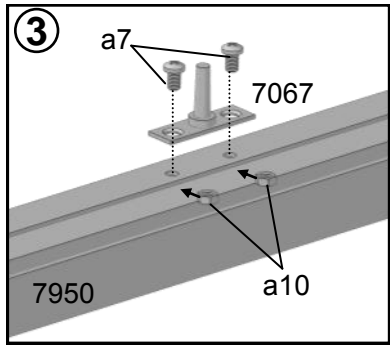
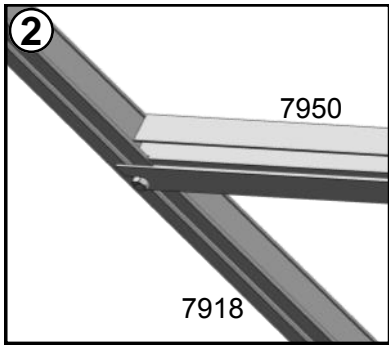
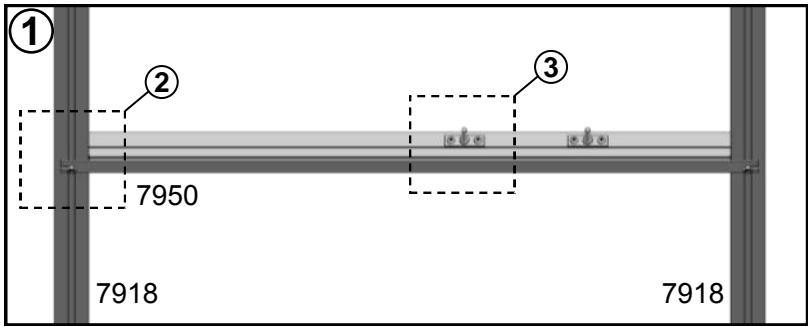
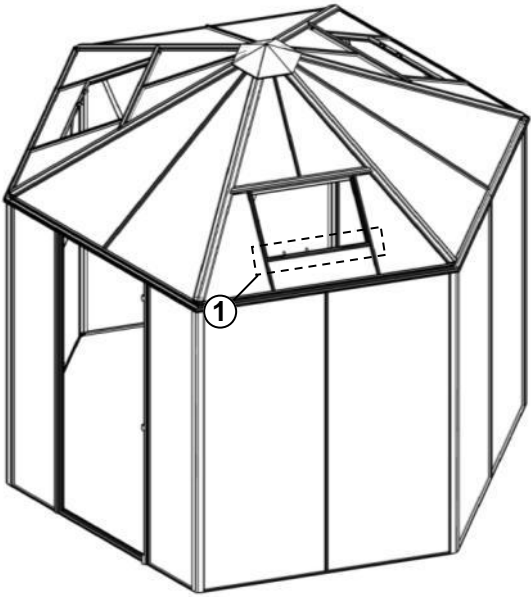
Roof



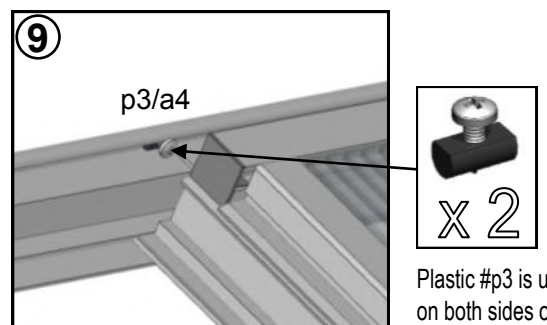
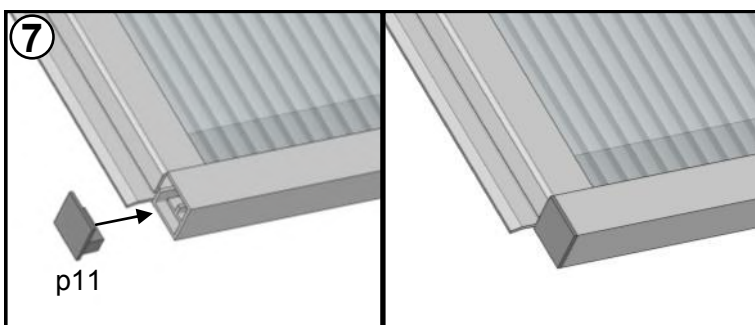
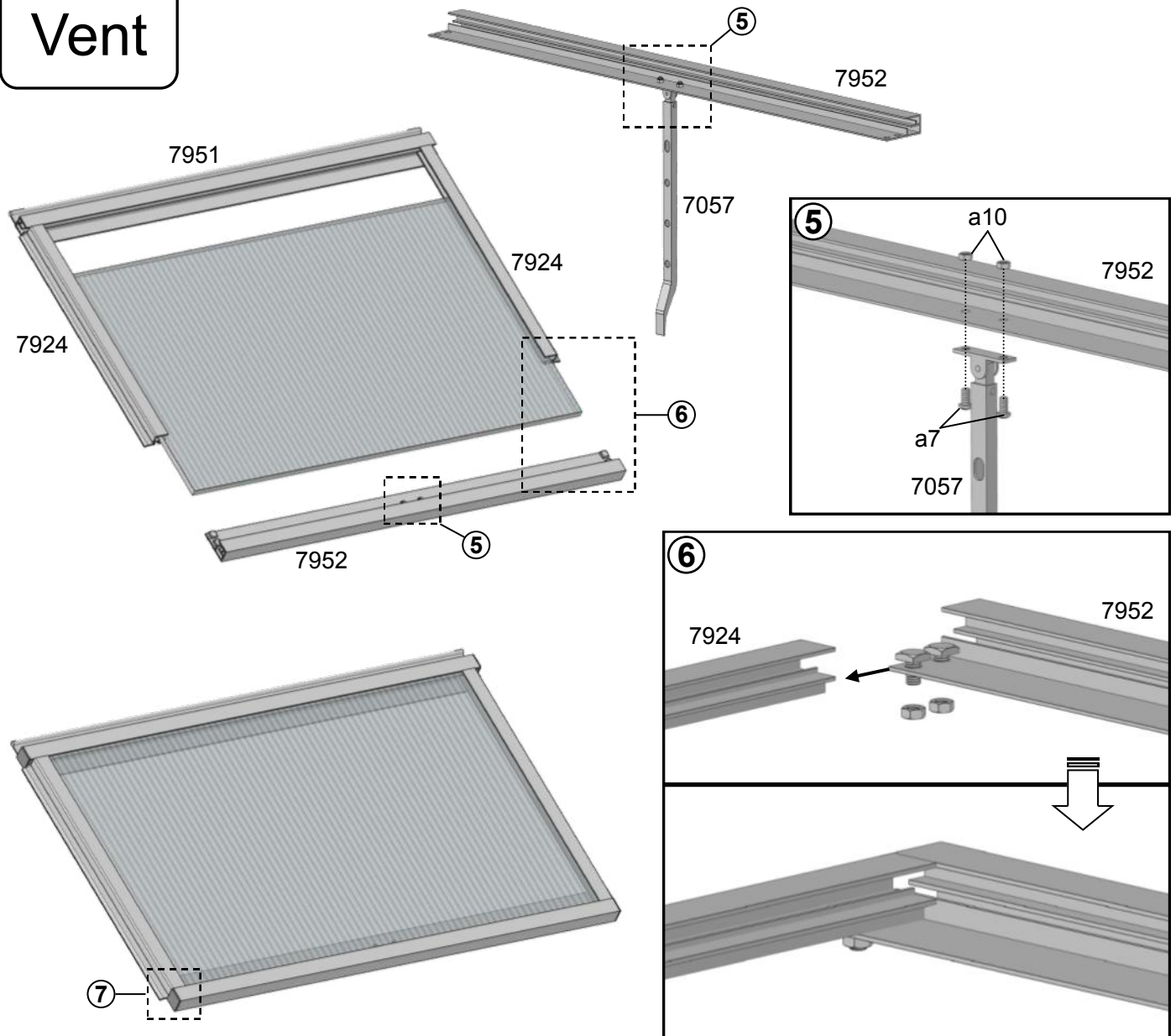
Vent

In Package 4

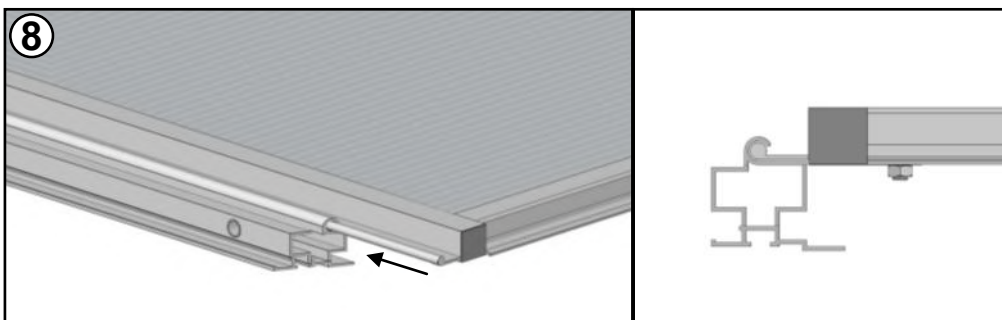
#	7950	7951	7952	7924	7953	7067	a1	a2	a4	a7	a10	p3	a20	p11
Size	631	610	593	400	250	-	M6x10	M6	Φ3.9x8	M4x8	M4	-	-	-
QTY	1	1	1	2	1	2	8	8	2	6	6	2	8	4



Vent



Plastic #p3 is used on both sides of the window to keep it from moving side to side. Screw #a4 will hold #p3 firmly in its place.

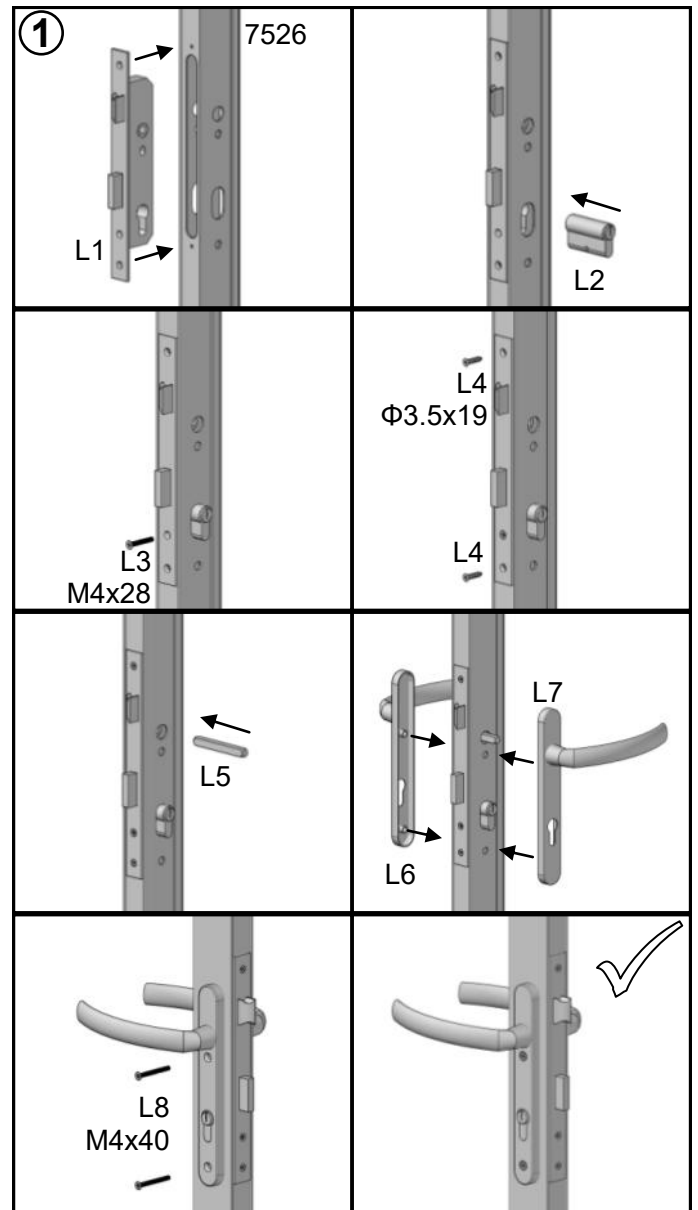
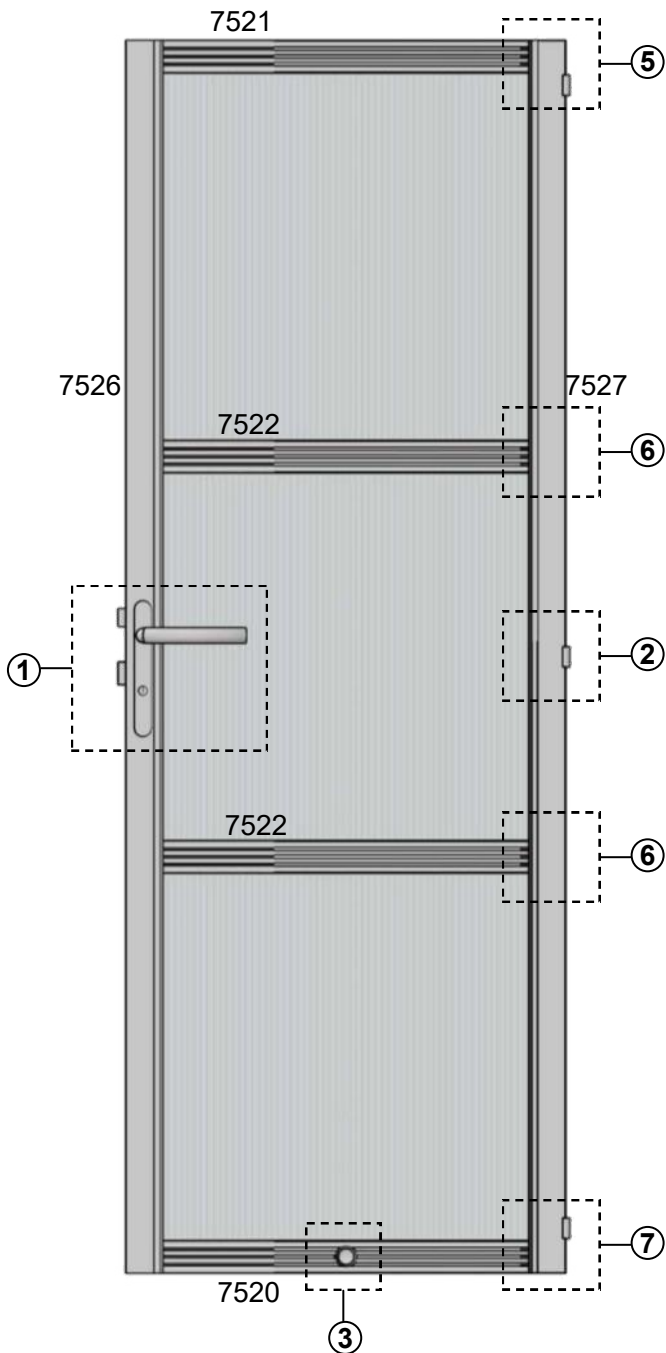


Door

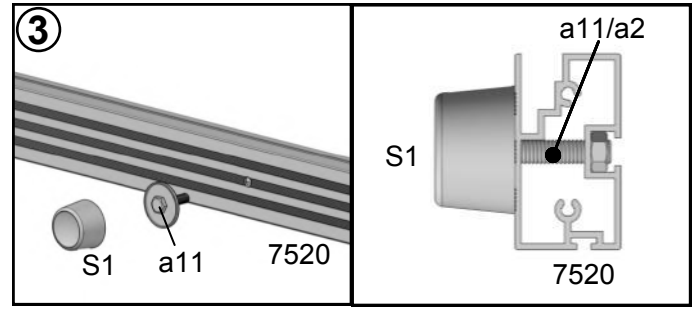
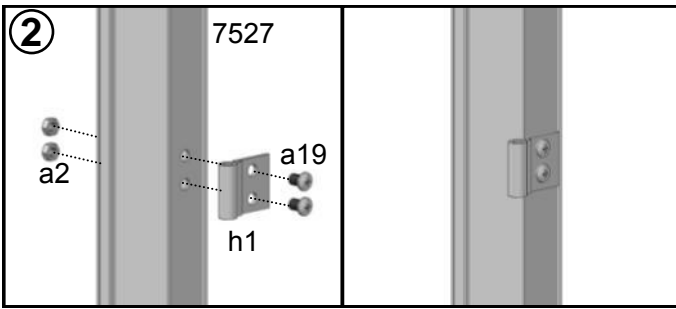
In Package 5

#	7520	7521	7522	7526	7527	7529	a9	a2	a5	a11	a19
Size	670	670	670	1909	1909	569	M6x10	M6	Φ3.5x19	M6x25	M6x8
QTY	1	1	2	1	1	6	2	20	16	2	17

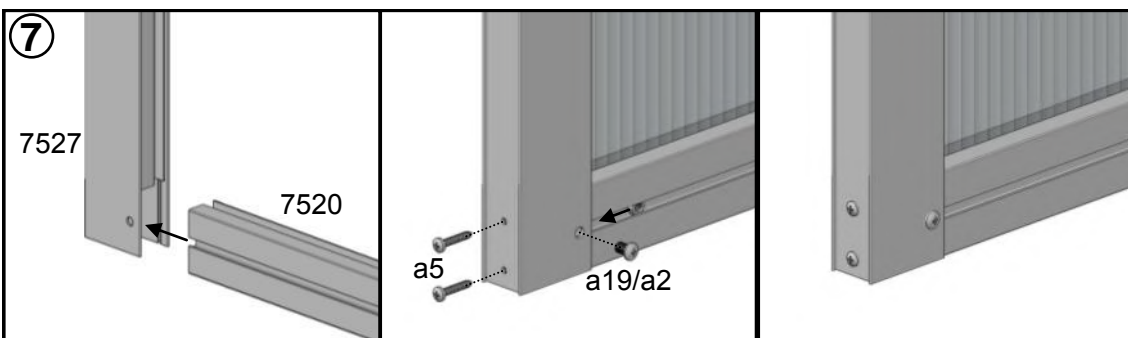
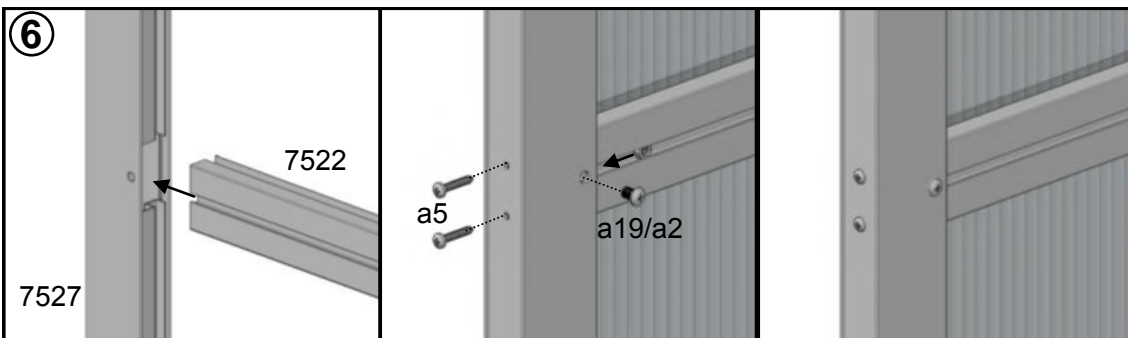
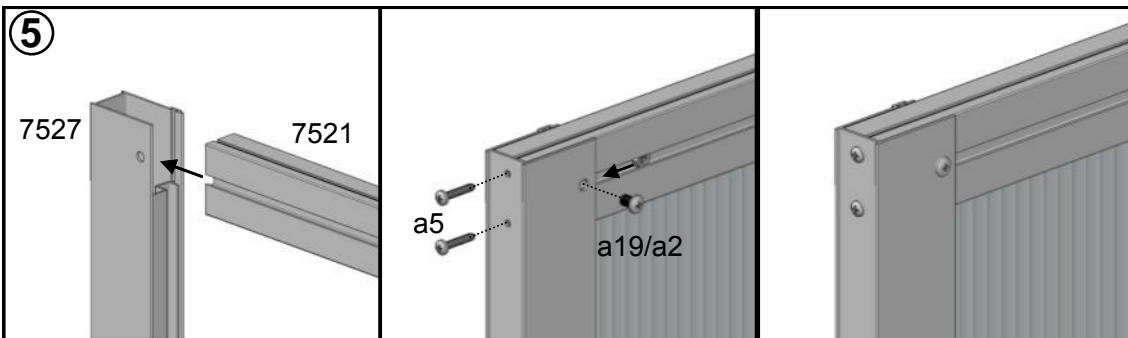
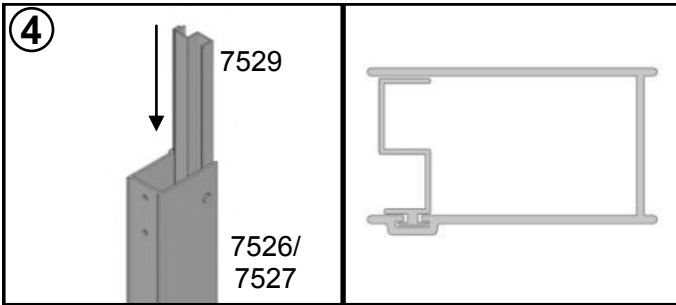
					LOCK	
#	h1	h7	m12	S1/S2	L1-L9	Fluff
Size	30	-	-	-	-	
QTY	3	3	1	1 SET	1 SET	0.7m



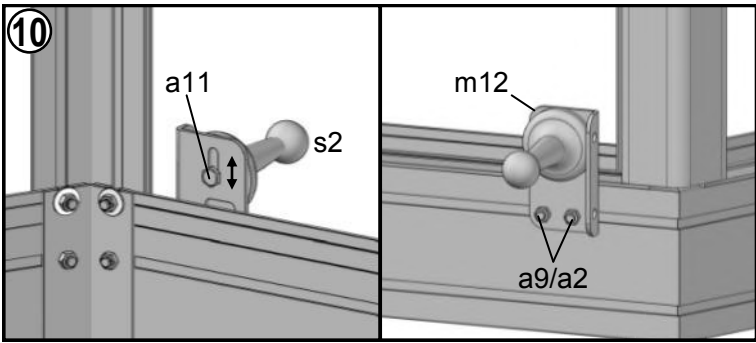
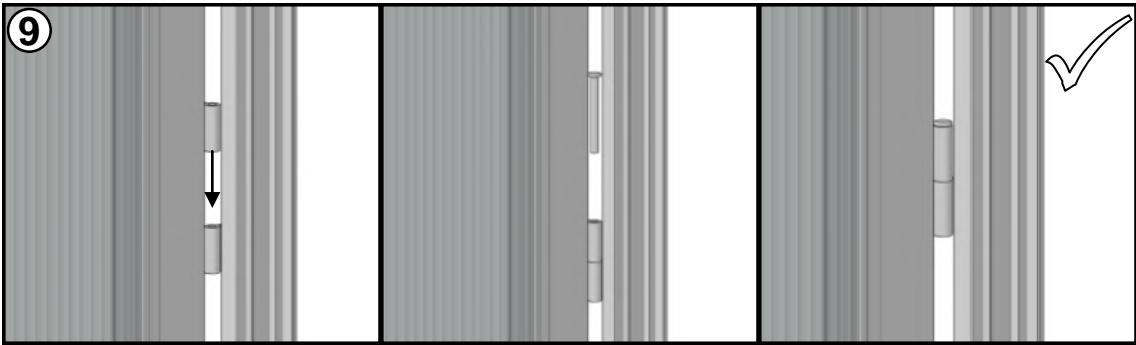
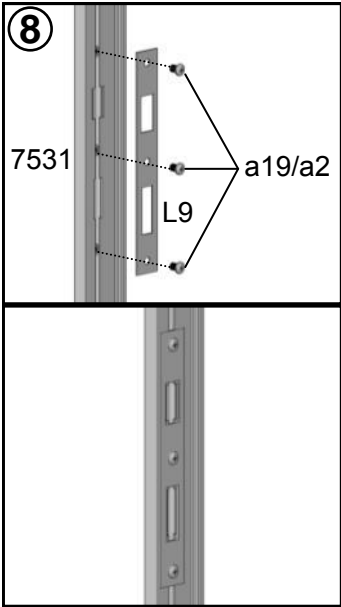
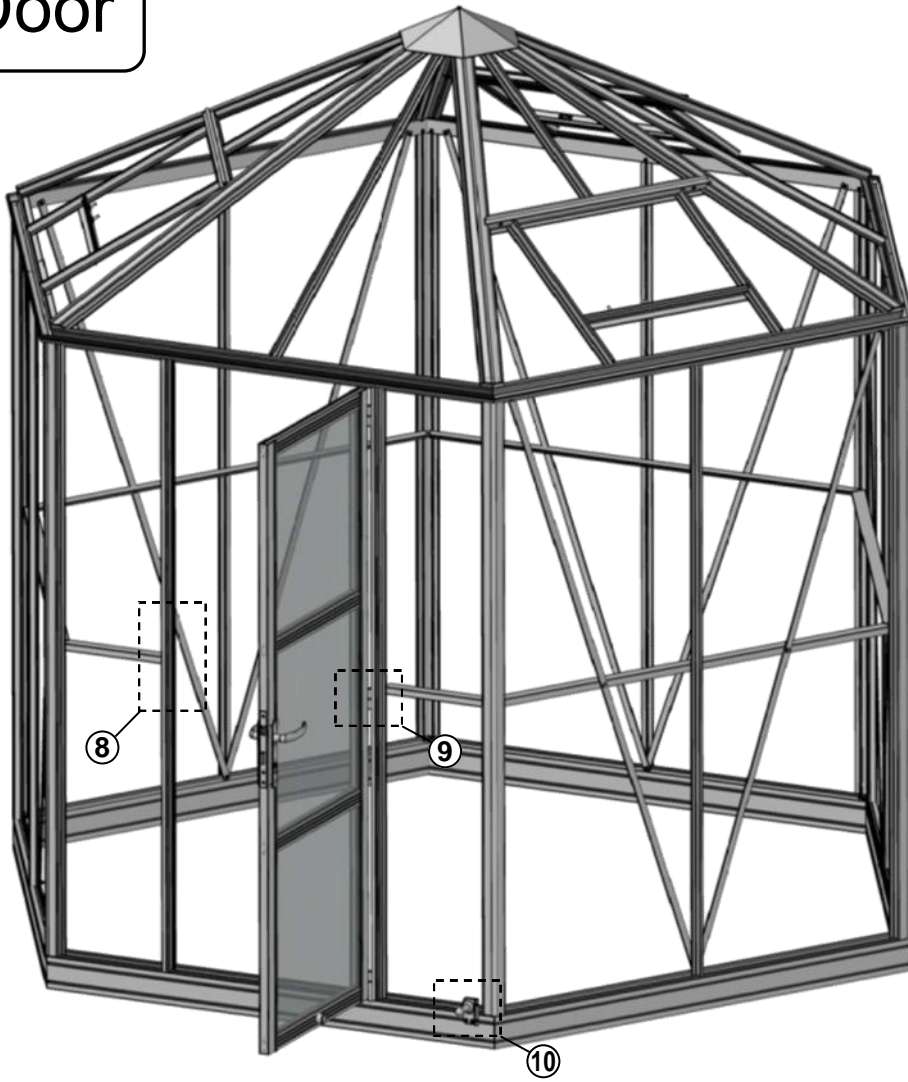
Door



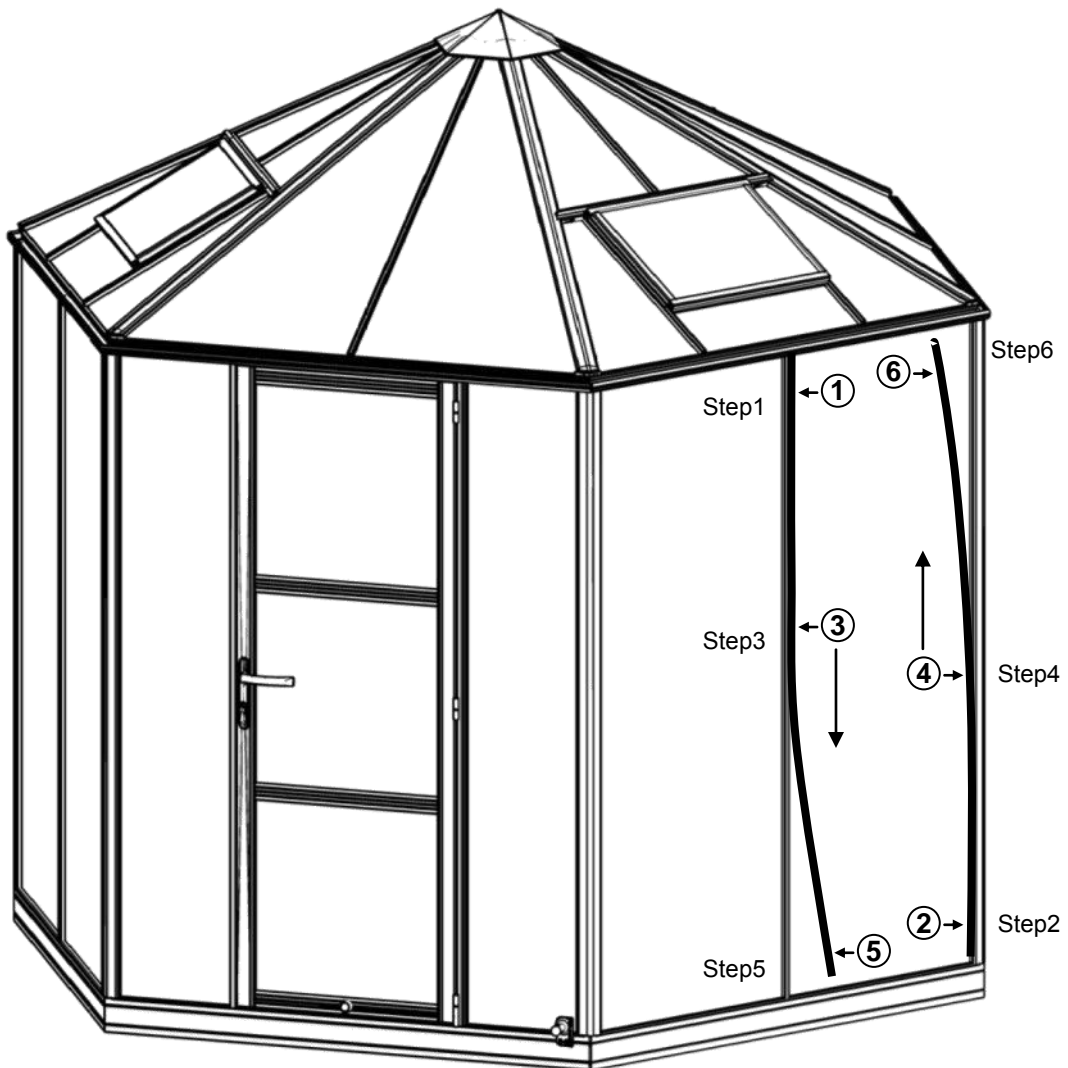
First take off the cap of S1 by rotating the cap anticlockwise, then fix the cap with a11 to #7520, finally rotate S1 back to the cap.



Door



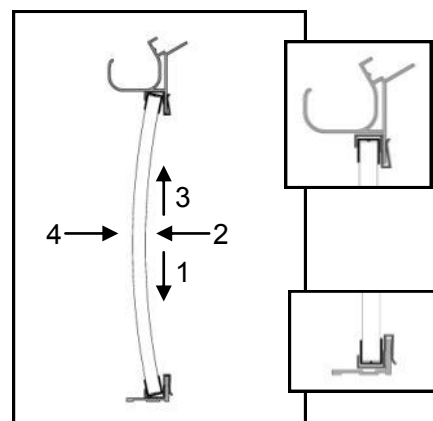
PVC Capping Bar



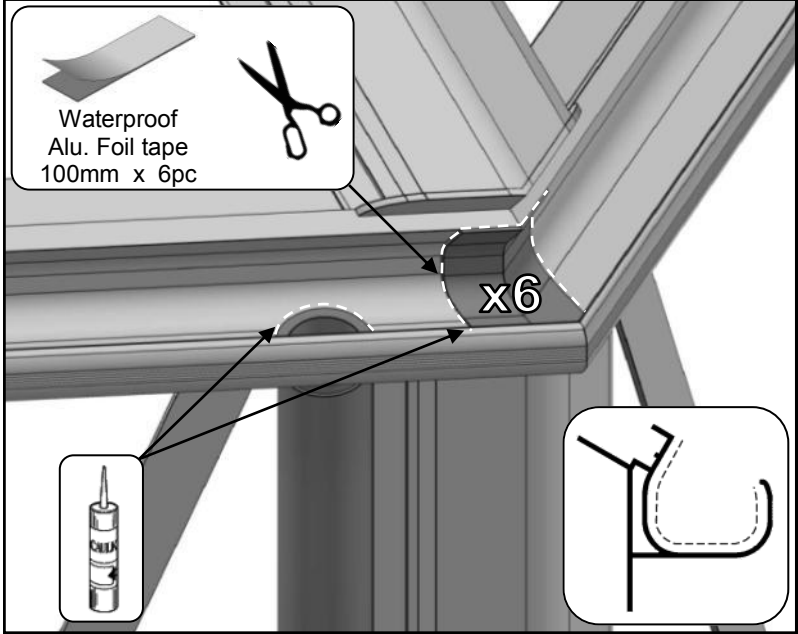
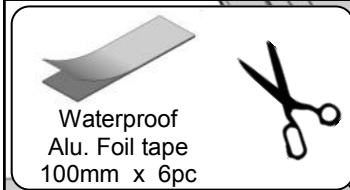
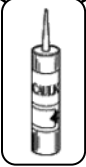
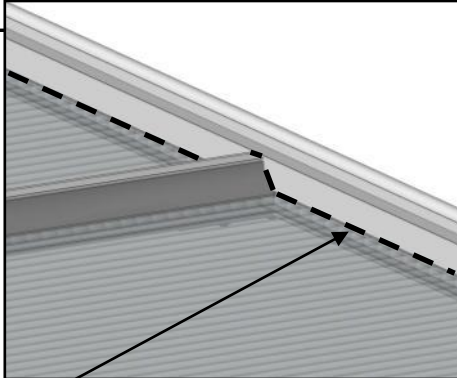
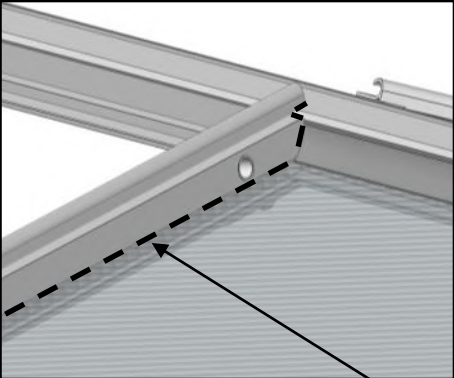
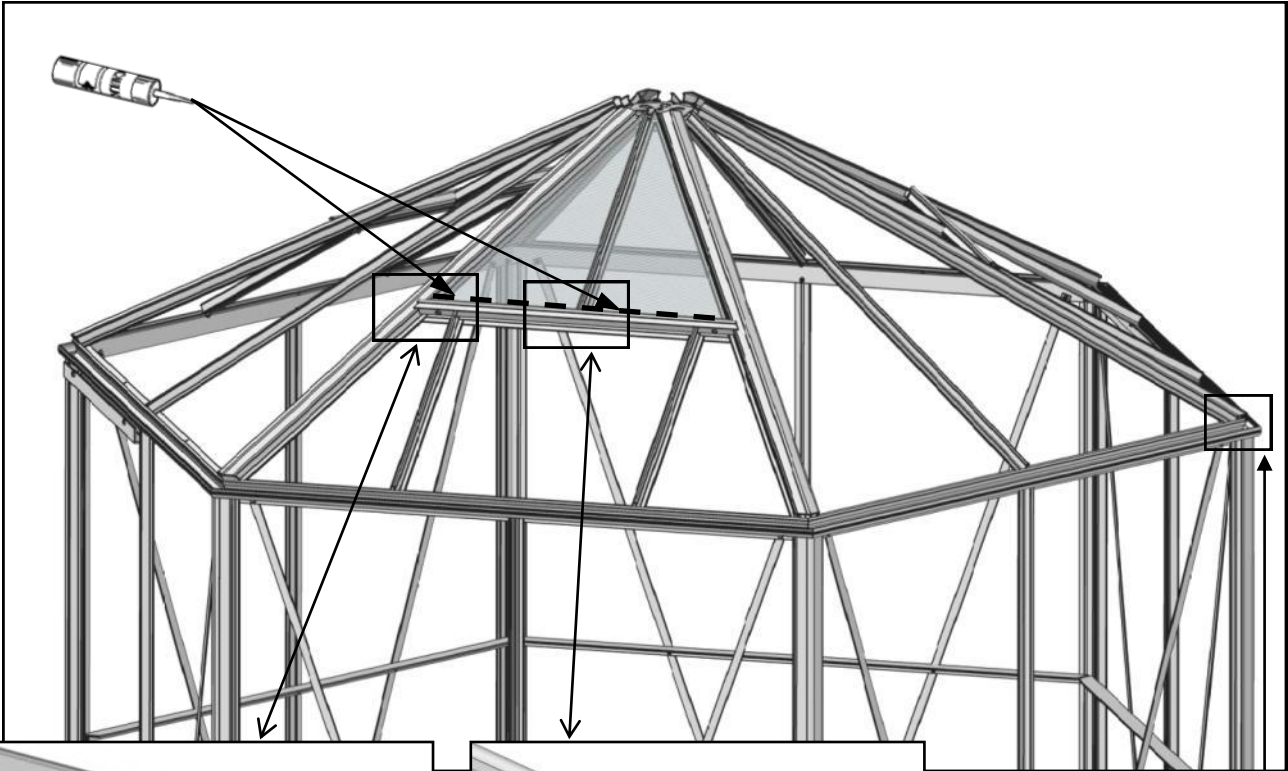
Note:

PVC capping bars were pushed in place from both top and bottom in diagonal direction together.

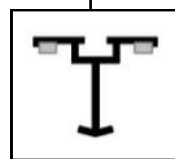
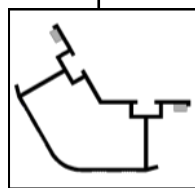
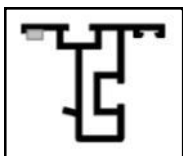
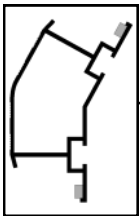
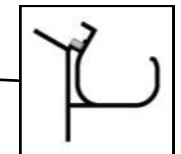
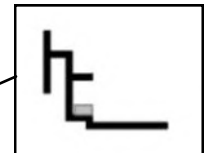
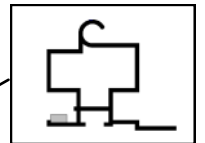
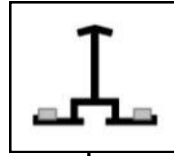
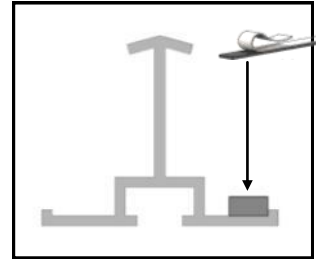
If you assemble it from one side by one side, you will feel space is too tight to assemble another PVC capping bar.



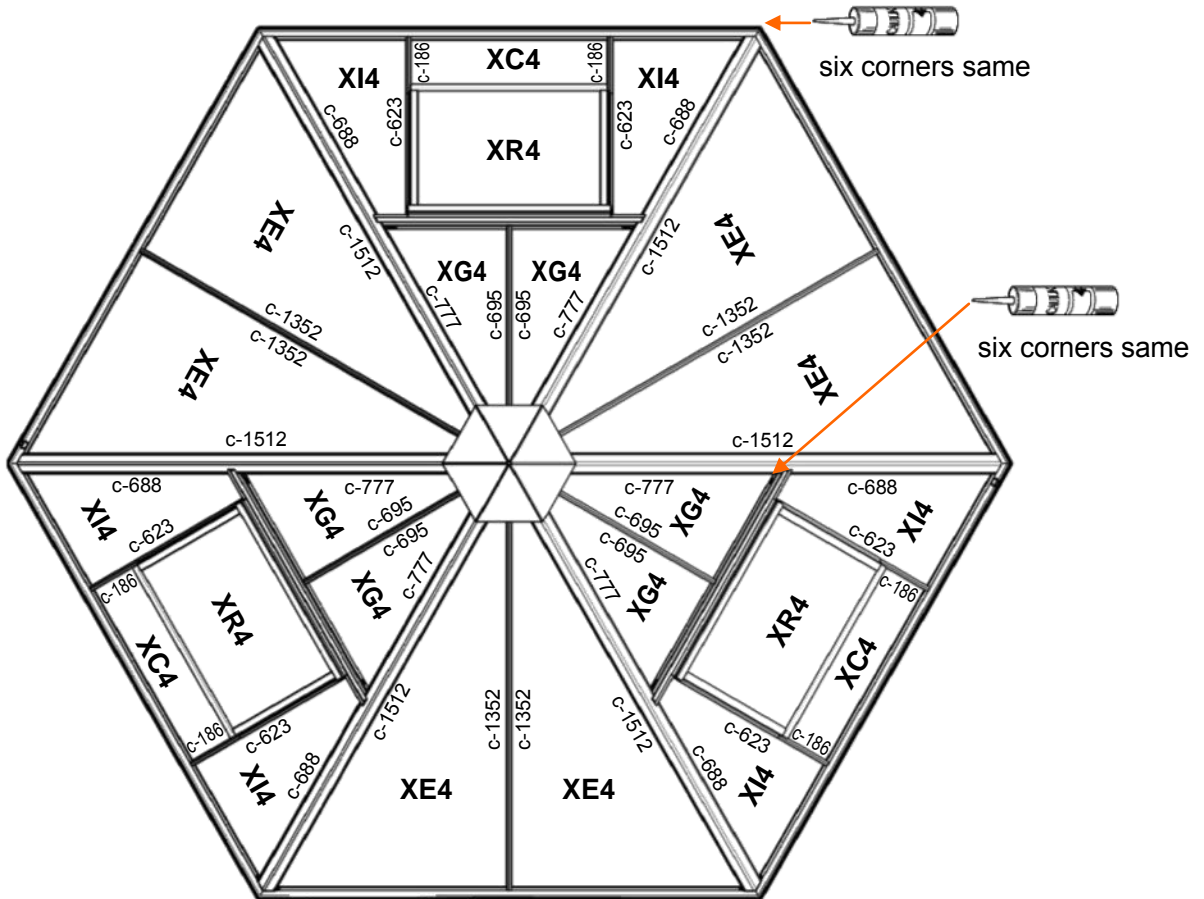
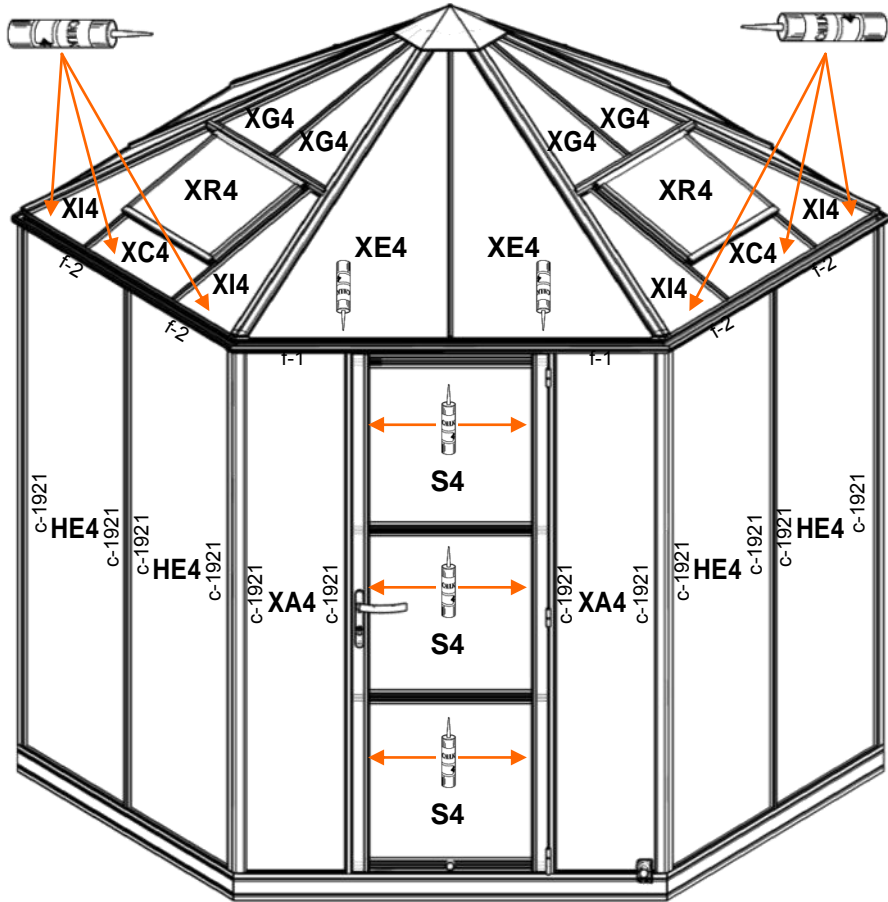
Silicone





4mm Glass






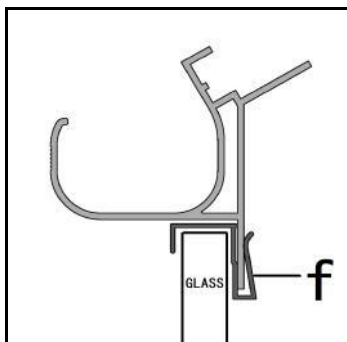
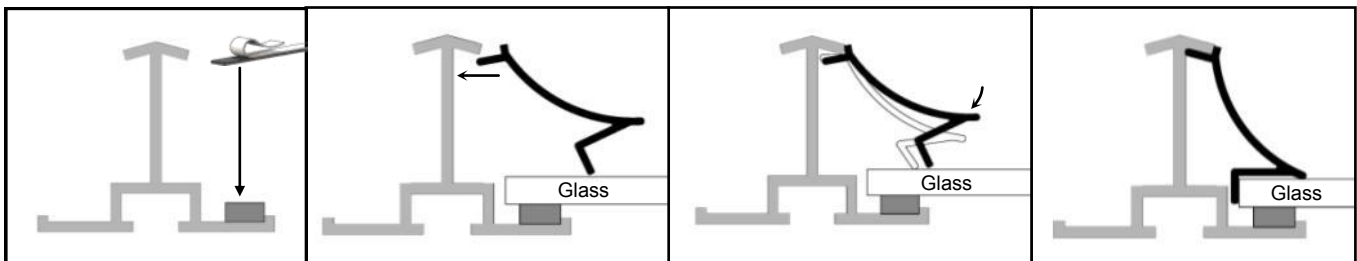
4mm Glass



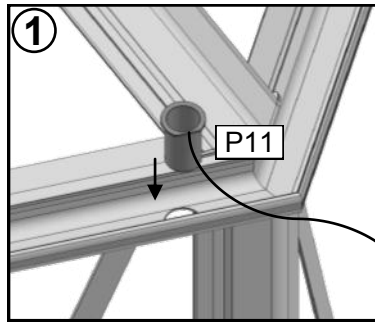
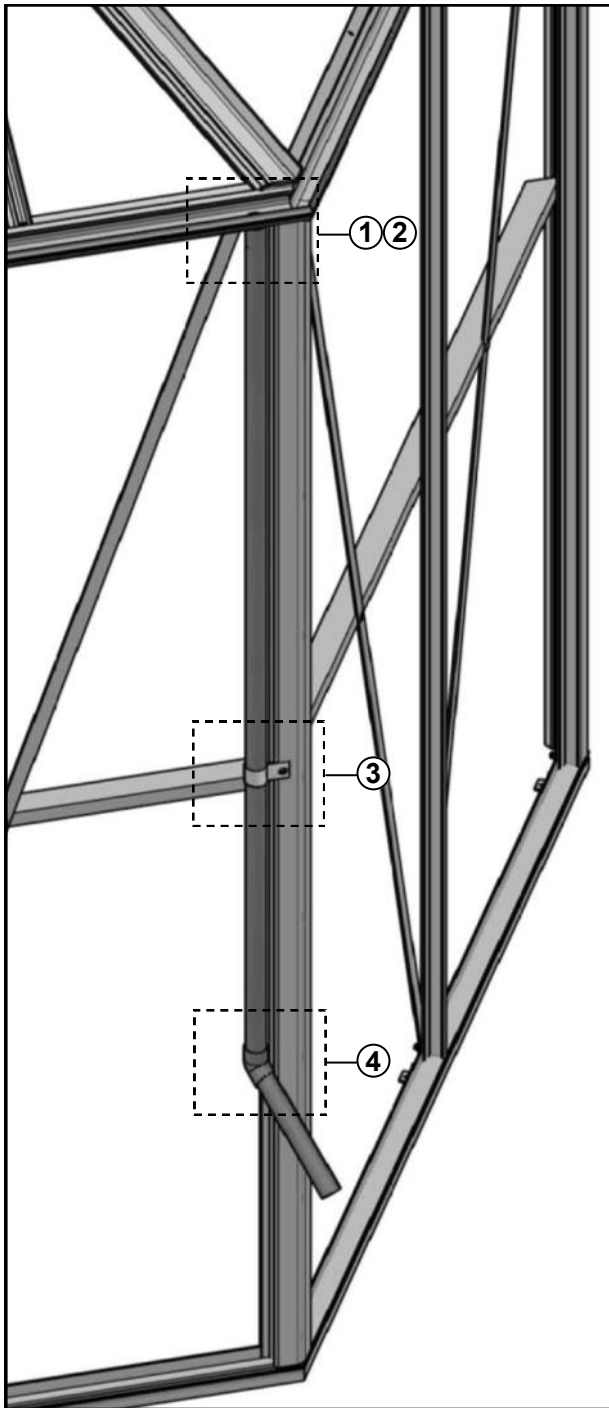
4mm Glass

#	Size	HEX10
HE4	700 x 1919	10
S4	586 x 609	3
XA4	341 x 1919	2
XR4	592 x 439	3
XC4	592 x 195	3
XE4	700 x 0 / 1397	6
XG4	372 x 0 / 744	6
XI4	394 (77) x 634	6
	5 meter	19 roll
	Silicone 	2

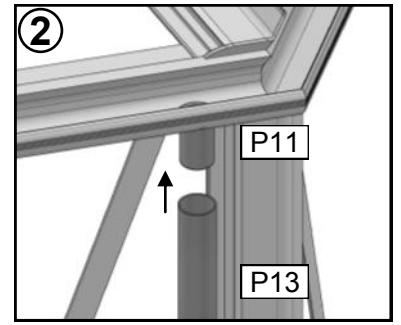
	DWG	Length	HEX10
Side Wall		1921	24
		16	22
Roof		1512	6
		1352	6
		777	6
		695	6
		688	6
		623	6
		186	6



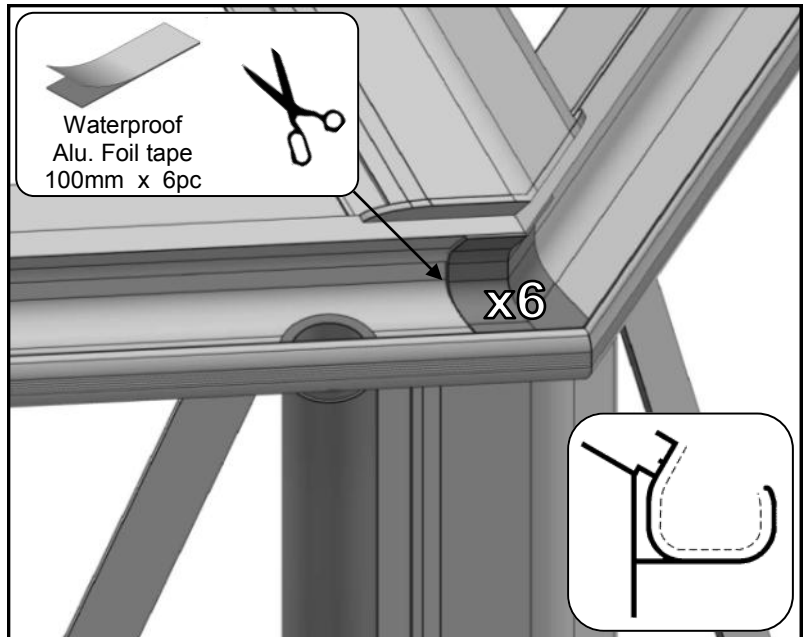
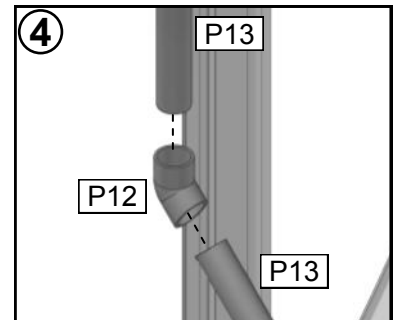
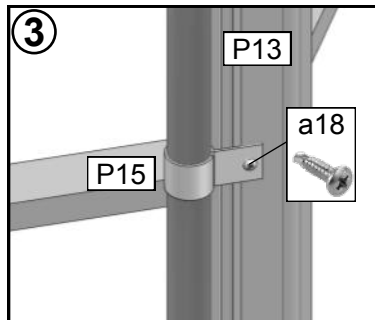
Downpipe



Half edge trimmed firstly



Cut P13 as per customer request



#	P11	P12	P13	P15	a18	-
mm			1800		Ø3.5x13	100
QTY	2	2	2	2	2	6

The list of parts

	Description	
1	Side wall	2
2	Rear & Front wall	1
3	Roof	1
4	Vent	3
5	Door	1
6	PVC capping bar	1
7	Downpipe	1
8	Glass panels	1
9	Tools	1
10	Assembly Instruction	1

Contact information

Austria



Belgium



Croatia



Denmark



Estonia



Finland



France



Germany



Ireland



Italy



Latvia



Lithuania



Nederland



Norway



Poland



Portugal



Spain



Sweden



Switzerland



UK

