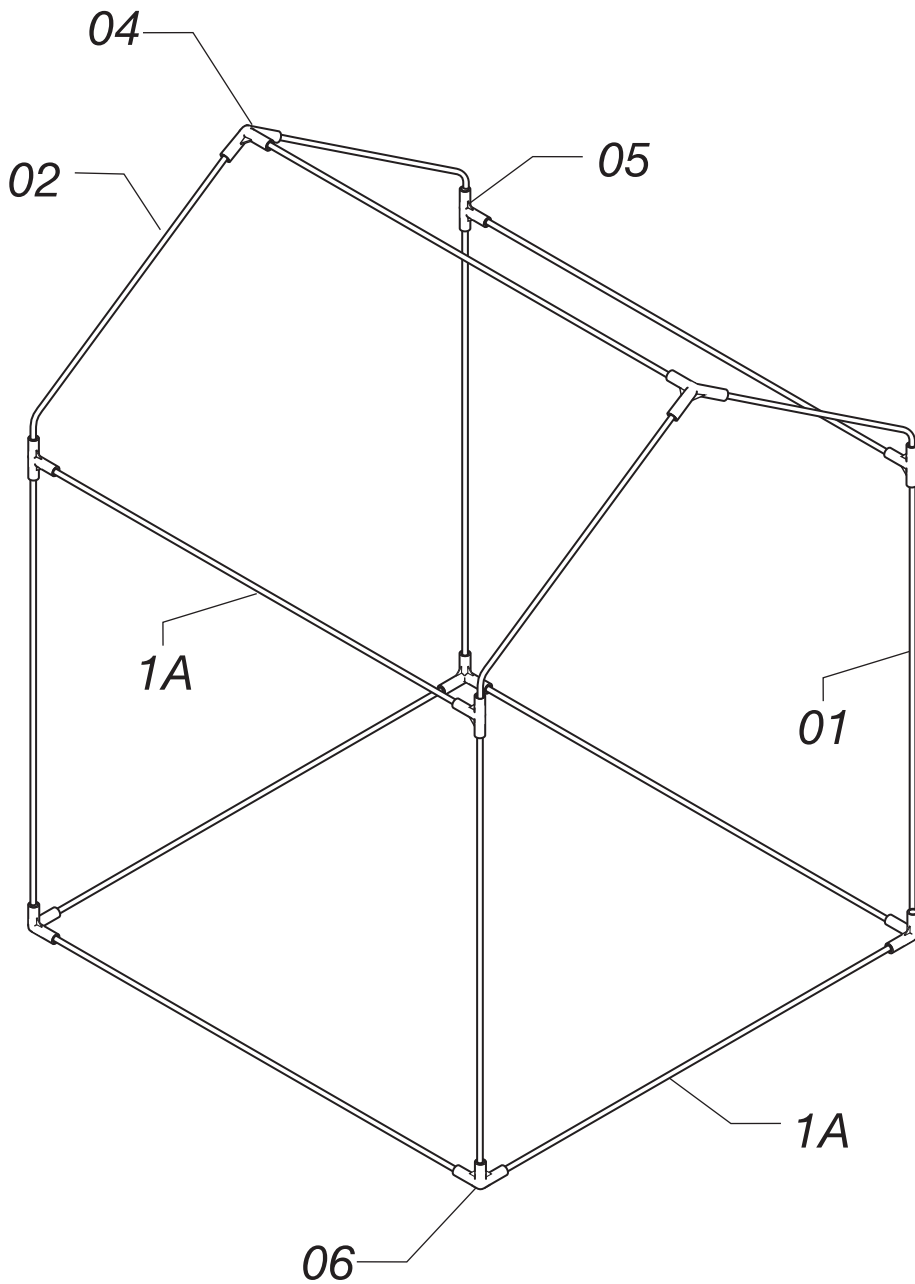
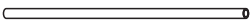


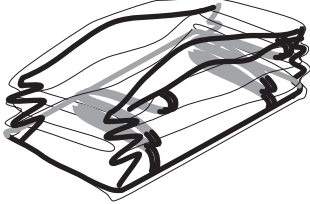
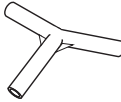
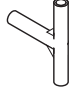
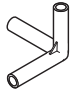



DANCOVER[®]

.com

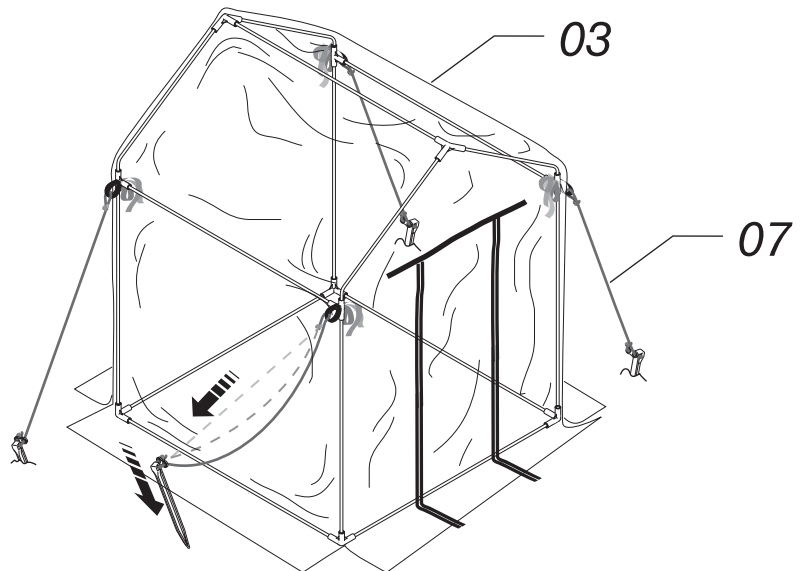
Manual
for
Polytunnel Greenhouse
1,55x1,55x2,05m



No.		Qty
01		4
1A		7
02		4
03		1
04		2
05		4
06		4
07		4

Warnings:

It is recommended to place the greenhouse in a place sheltered from the wind and to anchor it firmly on the ground. The greenhouse could be damaged due to snow or strong atmospheric agents, we decline any responsibility for damage caused to the structure. We decline all responsibility for any damage caused to people or things due to the greenhouse carried by the wind.



DANCOVER[®]

.com

Contact information

Head office:

Dancover A/S
Nordre Strandvej 119 G
3150 Hellebæk
Denmark

For more information
please visit:
www.dancovershop.com

National contact

Denmark: 70 26 76 20
denmark@dancover.com

UK: 020 8099 7570
uk@dancover.com

Germany: 041 0266 7040
germany@dancover.com

France: 0975 181 800
france@dancover.com

Sweden: 040 233 262
sverige@dancover.com

Finland: 0 931 581 720
suomi@dancover.com

Poland: 22 300 8602
polska@dancover.com

Luxembourg: +49 041 0266 7040
luxembourg@dancover.com

Portugal: 308 800 899
portugal@dancover.com

Spain: 911 436 828
espana@dancover.com

Italy: 02 479 21 198
italia@dancover.com

Switzerland: 0840 000125
schweiz@dancover.com

Austria: 0662 626935
austria@dancover.com

Norway: 231 00 690
norge@dancover.com

Nederland: 0 858 880 524
nederland@dancover.com

Ireland: 0 151 33 003
ireland@dancover.com

Belgium: 0 28 08 08 09
belgique@dancover.com