

DANCOVER[®]



Manual
for
Polytunnel Greenhouse
2x2x2,2m

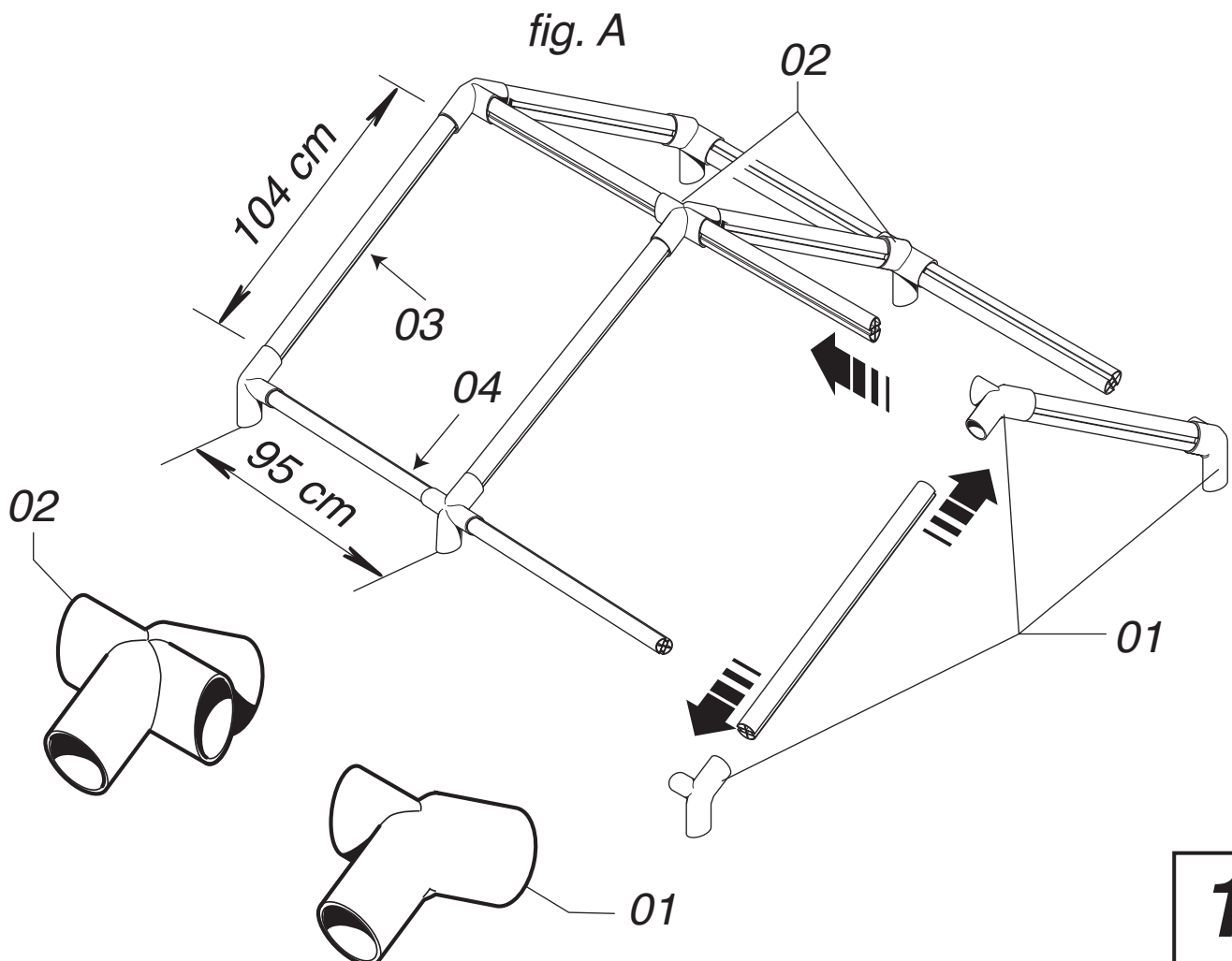
1 - ASSEMBLING THE ROOF STRUCTURE (fig. A).

A - Mount the ridges of the **roof**. To mount the front and rear ridge use the Pos.**01** 3-way joint while to mount the central ridges use the Pos.**02** 4-way joint, fit the 104 cm long tubulars (Pos.**03**) into the slanted slots of the joints

B - Connect the ridges to each other using n° 3 tubulars 95 cm long (Pos.**04**) for each span.

Components

Pos.	Cod.	Description	Q.ty
01	1685	3-way joint	6
02	1686	4-way joint	3
03	1696	Tubular 104 cm	6
04	1695	Tubular 95 cm	6
05	1697	Tubular 157 cm	6
06	1576	2x3 m sheet	1
07	1758	Stake	14
08	1797	Shading net	1
09	1689	Clips	8
10	1787	Base	6
11	1688	Tip	6
12	/	Dowel \varnothing 8	12
13	/	Screw for dowel \varnothing 8	12



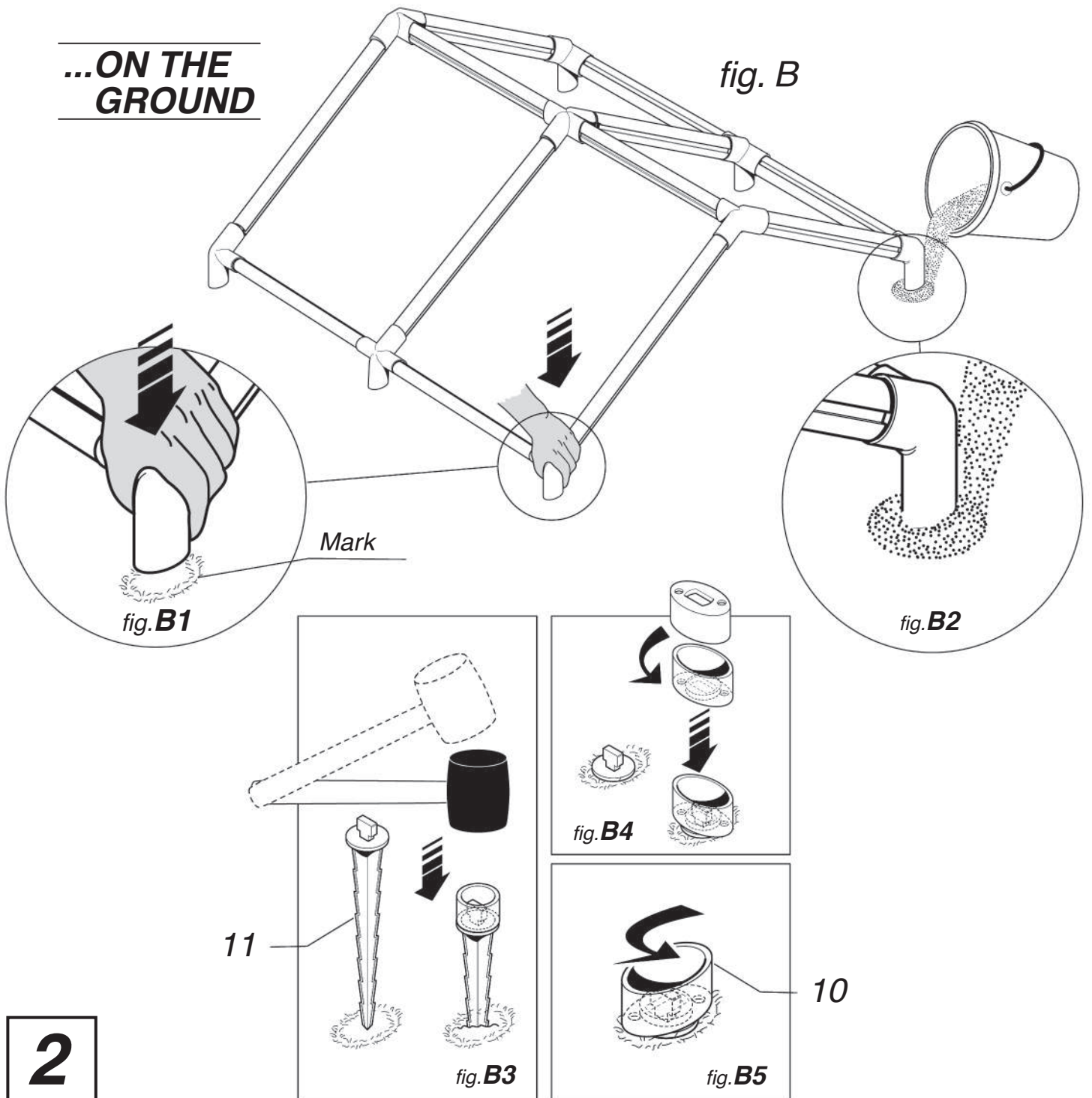
2- ASSEMBLY OF THE COLUMNS ON THE GROUND (fig. B).

A - Position the roof obtained in the point where you intend to assemble the greenhouse, having first flattened the ground or in the case of grassy ground after performing a very low grass cut.

B - Contour the **joints** with sand, lime-white or other, or exert a good pressure on the **joints** to obtain a **mark** where to stick the tips **Pos.11**. Stick the tips with the aid of a tube: make sure that the bayonet coupling pedicle is turned in the long side of the greenhouse as shown in **fig.B3**; **before this phase make sure that all the tubulars are completely inserted in the joints**.

...ON THE GROUND

fig. B



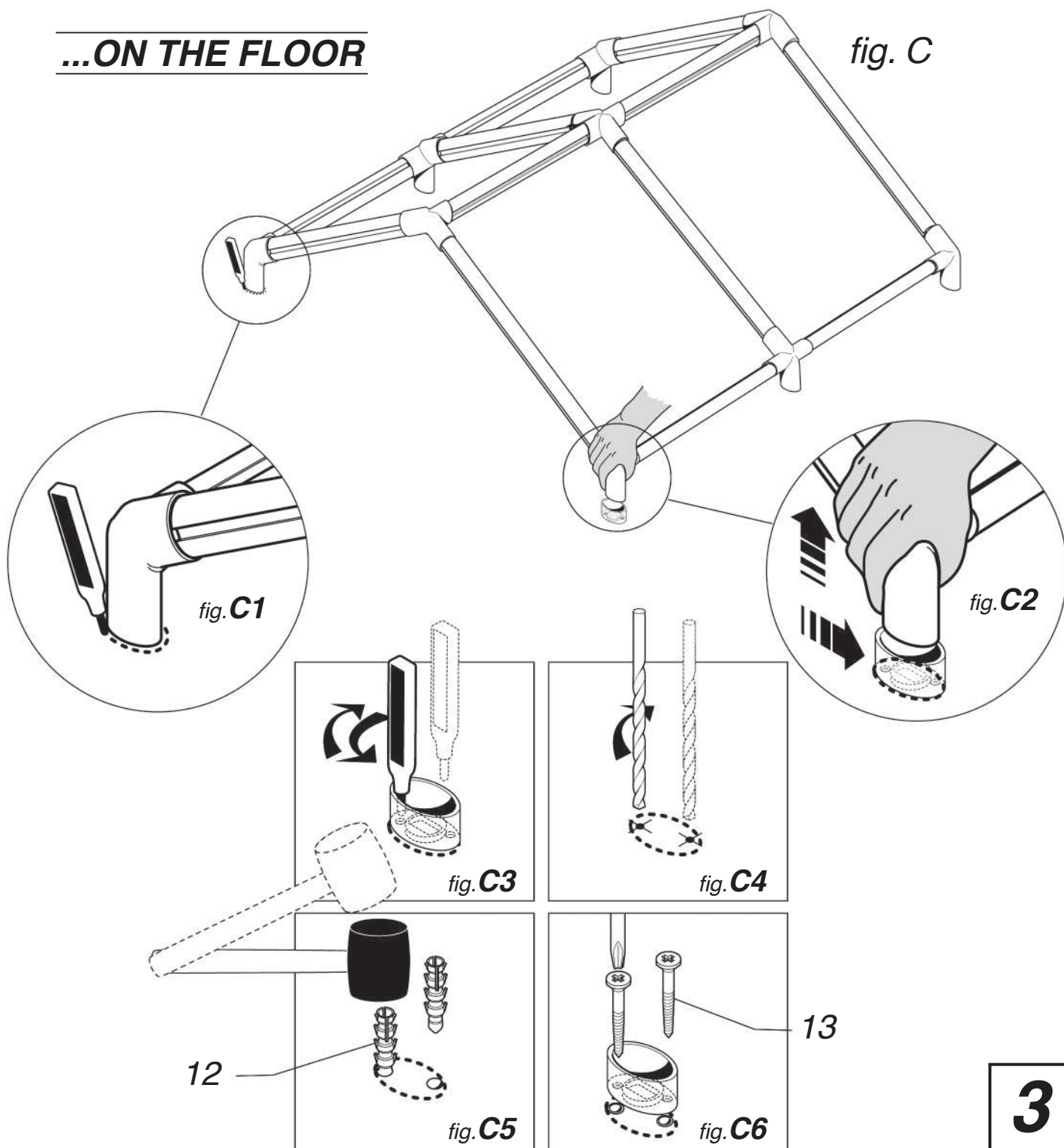
3- ASSEMBLY OF THE DOWELS ON THE FLOOR (fig. C).

A - Position the roof obtained in the point where you intend to mount it (fig. C).

B - Contour the joints with a marker or other tracer means (fig. C1) to outline the position where to fix the **bases** Pos.10; then after having traced and drilled the holes (fig. C2+C6) for the **dowels** Pos.12 fix the **bases** in which to subsequently insert the **tubulars** Pos.05; **before this phase make sure that all the tubulars are completely inserted in the joints.**

...ON THE FLOOR

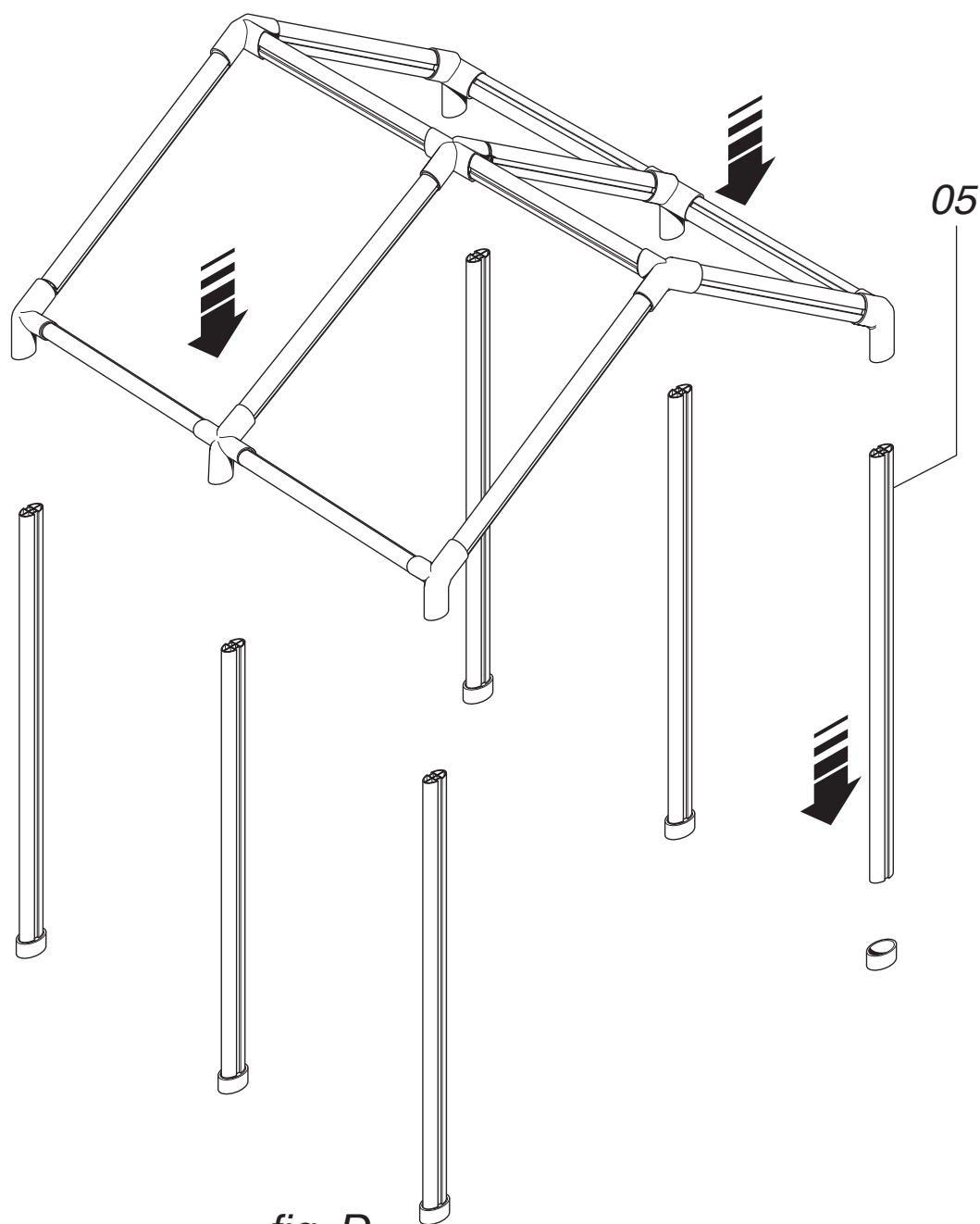
fig. C



4- INSTALL THE VERTICAL TUBES (fig. D).

A - Insert the **tubulars Pos.05** in the **bases Pos.10**.

B - Then assemble the **frame-roof** by inserting the **joints** of the same into the **vertical tubulars**.



5- COMPLETE THE ASSEMBLY OF THE STRUCTURE (fig. E).

A - Mount the roof over the **vertical tubulars Pos.05** so as to obtain the complete structure.

B - After assembly, check the external dimensions with those of the drawing. It is important that the dimensions correspond to ensure correct assembly of the fabric.

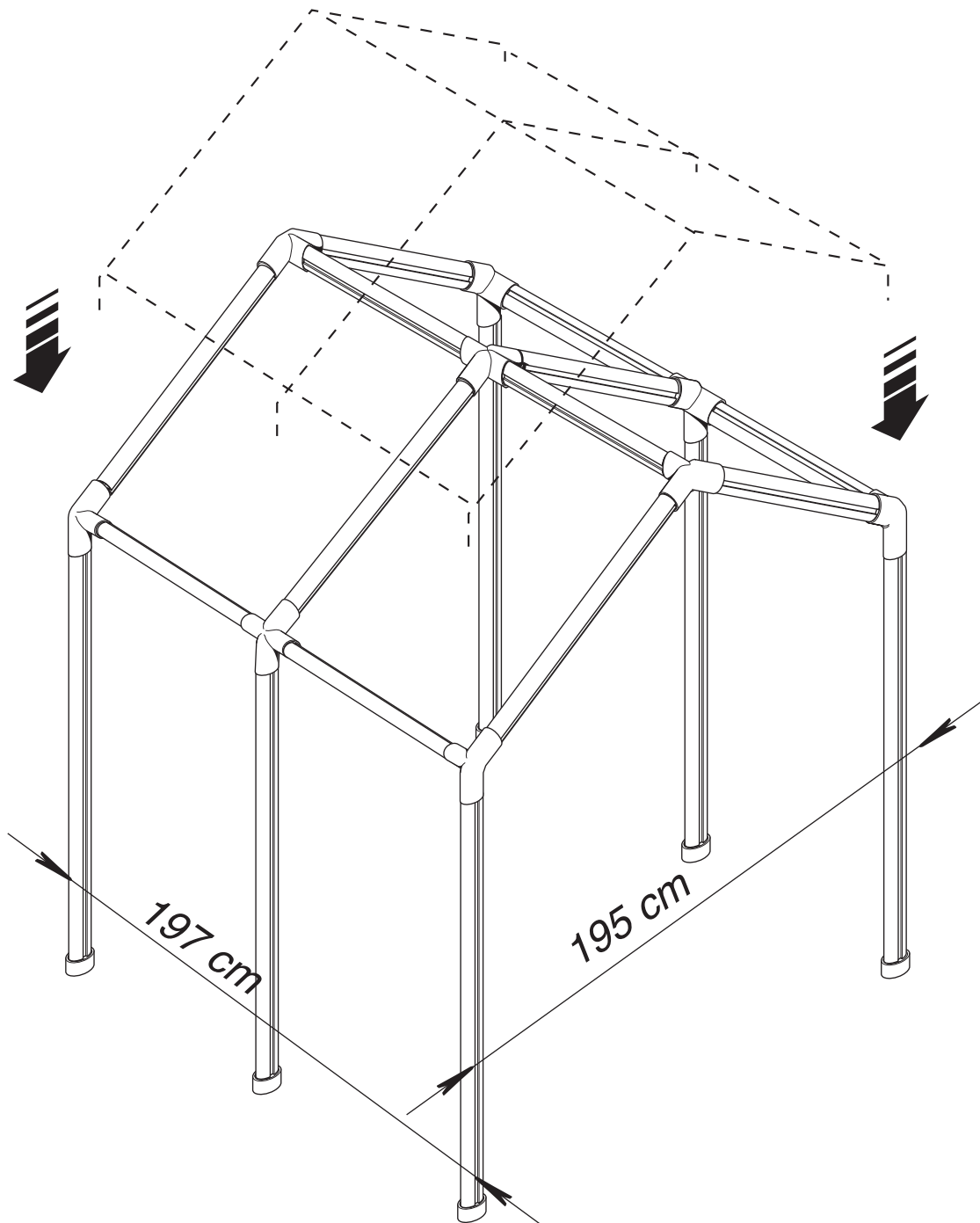
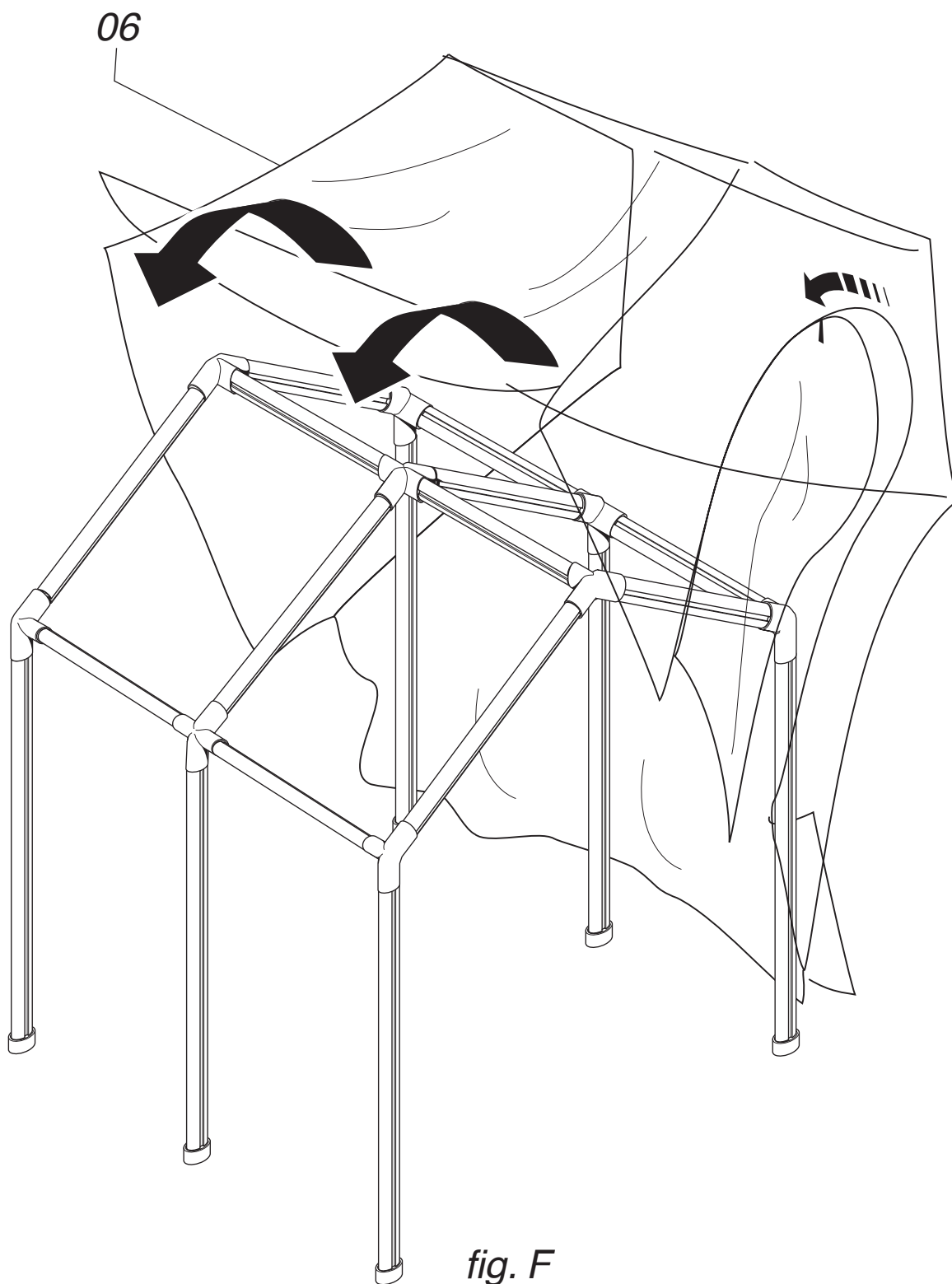


fig. E

6- MOUNTING THE SHEET (fig. F).

A - Open the **sheet zips** and then drag the **sheet Pos.06** on the structure starting from one side of the greenhouse as shown in the figure.



6

fig. F

7- ASSEMBLY OF THE SHEET (fig. G).

A - Once the cap has been inserted, close the zips and arrange the sheet carefully.

B - Use the **stakes Pos.07** to fix the sheet on the ground.

C - Cover the protruding part of the **sheet** with the soil making sure it is well stretched.

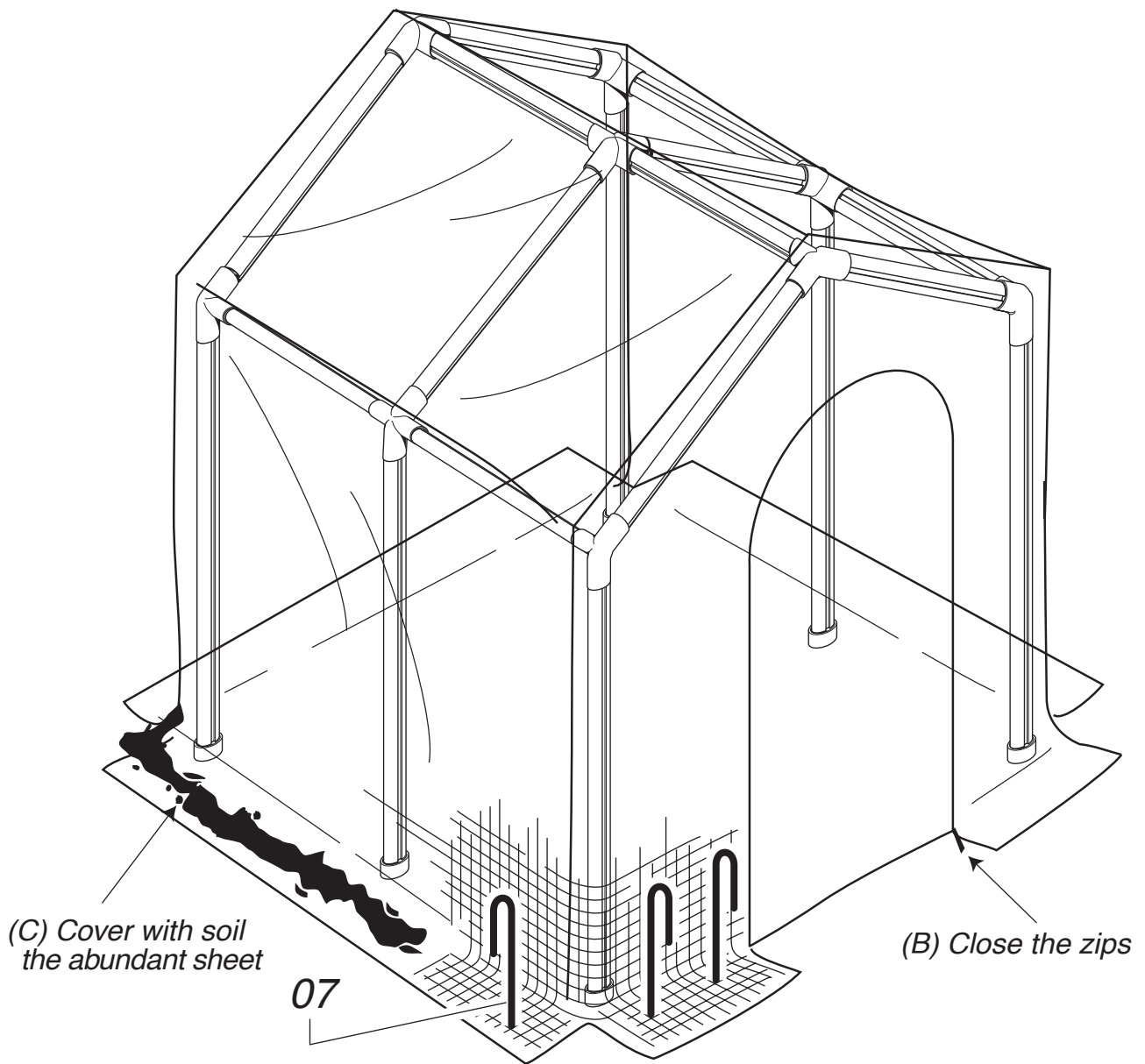
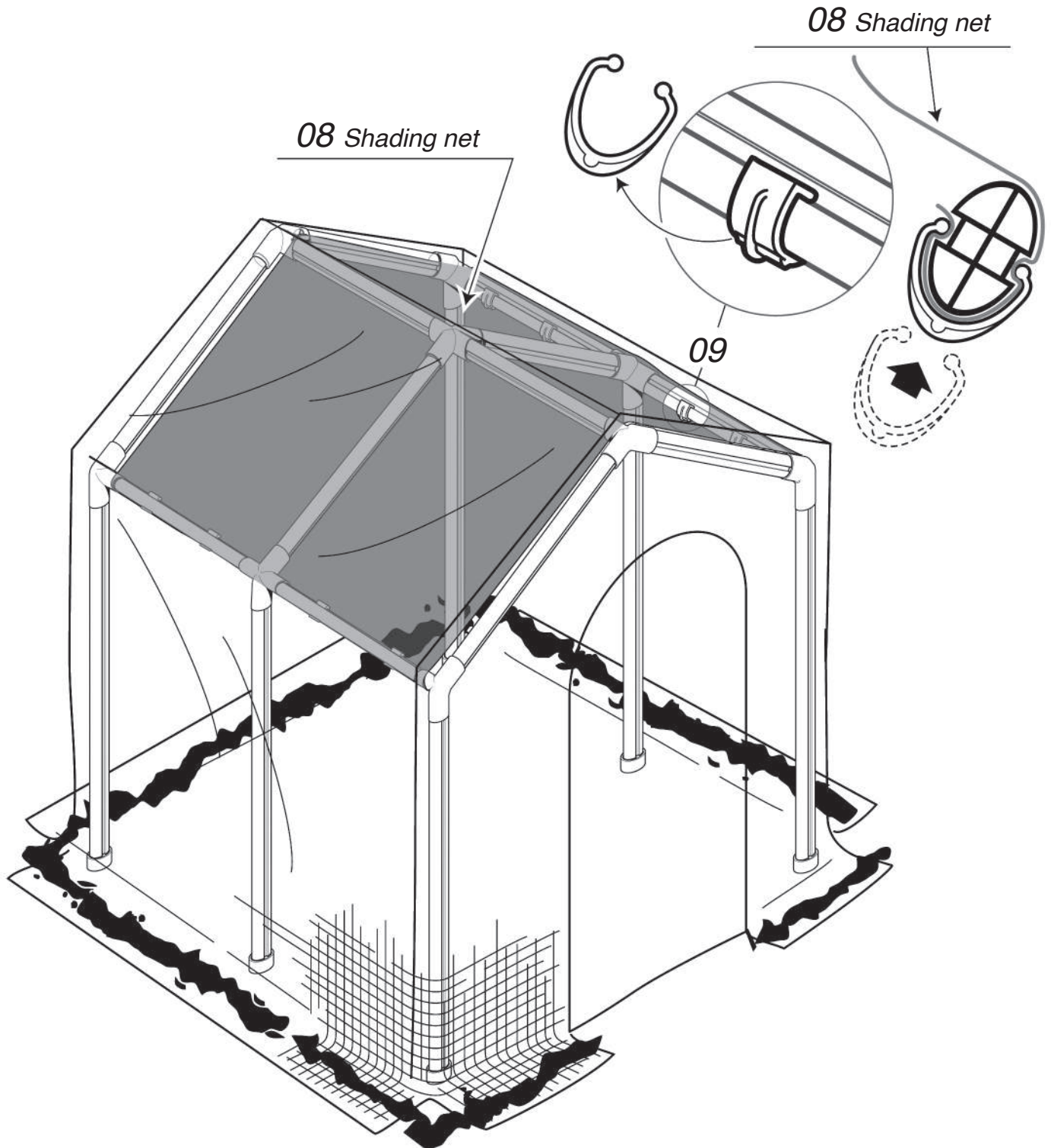


fig. G

8- ASSEMBLY OF THE SHADING NET (fig. H).

To keep the cultivated products longer, the greenhouse has been equipped with a shading net that must be fixed under the roof of the greenhouse with the appropriate plastic clips also supplied.

A - Insert the shading net Pos.08 between the greenhouse sheet and the roof tubulars and fix it to the eaves tubular with the clips Pos.09.



DANCOVER[®]

.com

Contact information

Head office:

Dancover A/S
Nordre Strandvej 119 G
3150 Hellebæk
Denmark

For more information
please visit:

www.dancovershop.com

National contact

Denmark: 70 26 76 20
denmark@dancover.com

UK: 020 8099 7570
uk@dancover.com

Germany: 041 0266 7040
germany@dancover.com

France: 0975 181 800
france@dancover.com

Sweden: 040 233 262
sverige@dancover.com

Finland: 0 931 581 720
suomi@dancover.com

Poland: 22 300 8602
polska@dancover.com

Luxembourg: +49 041 0266 7040
luxembourg@dancover.com

Portugal: 308 800 899
portugal@dancover.com

Spain: 911 436 828
espana@dancover.com

Italy: 02 479 21 198
italia@dancover.com

Switzerland: 0840 000125
schweiz@dancover.com

Austria: 0662 626935
austria@dancover.com

Norway: 231 00 690
norge@dancover.com

Nederland: 0 858 880 524
nederland@dancover.com

Ireland: 0 151 33 003
ireland@dancover.com

Belgium: 0 28 08 08 09
belgique@dancover.com