

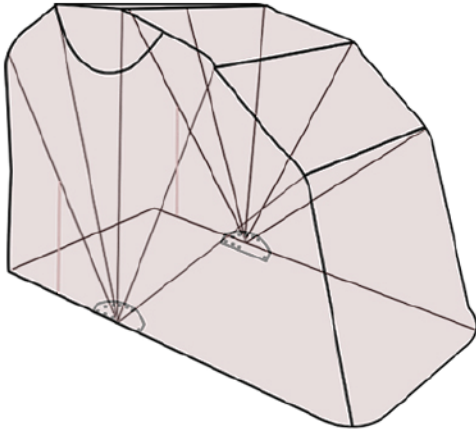
DANCOVER[®]

.com

Manual
for
Folding Garage (MC), Small
1,05x2,7x1,57m

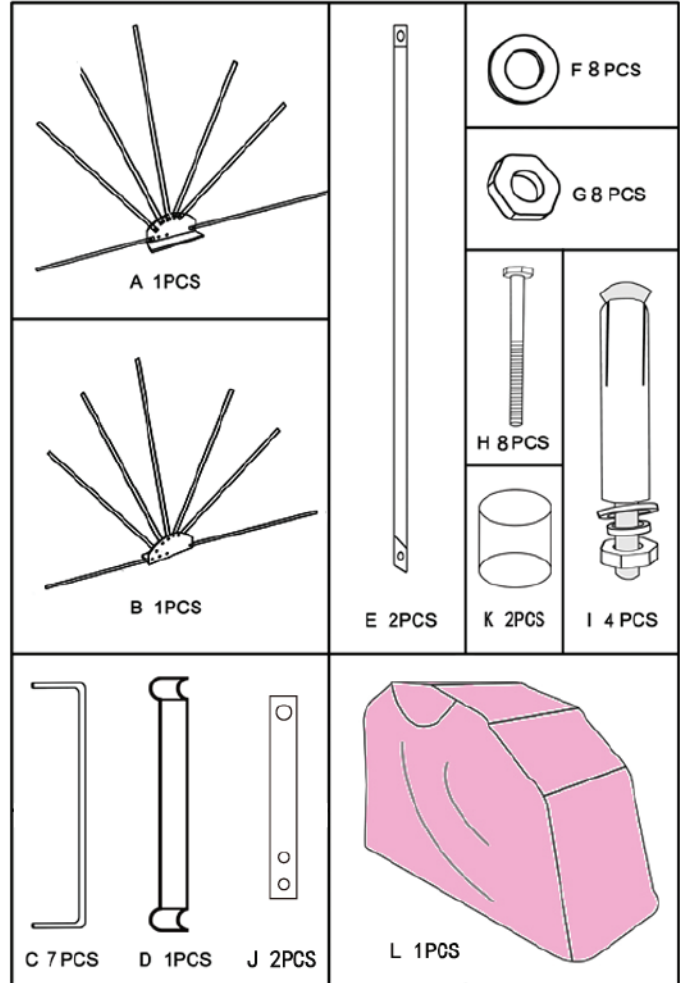
Manual for MOTOR TENT

Congratulations on purchasing the latest version of Motor Tent that is designed to keep your ride clean and safe.



The Motor Tent comes partially assembled, so it takes only minutes to complete.

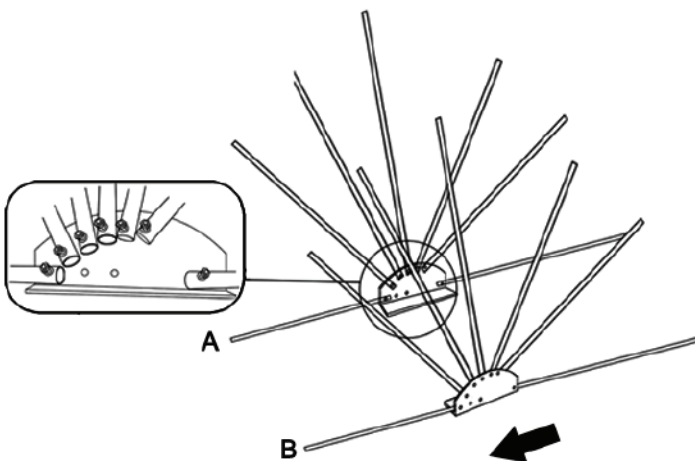
Start by checking the various components listed in the right chart to familiarize yourself with the parts and make sure that you have all of them.



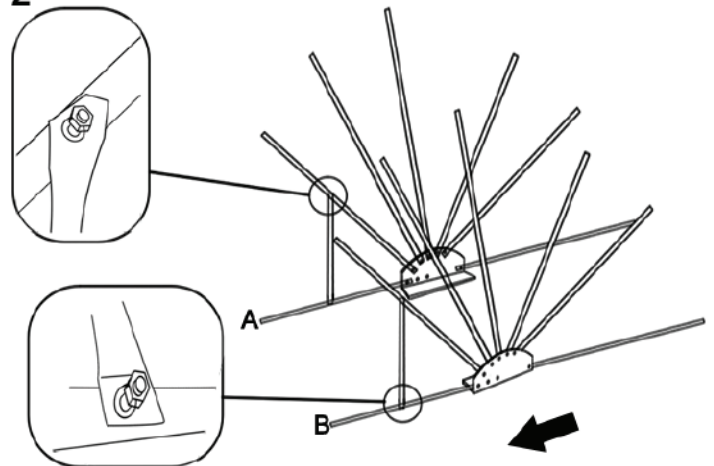
Step 1

Lay assembly A on your right and B on your left with the shortest tubes pointing in front of you and ribs laying fanned out on the floor.

1



2



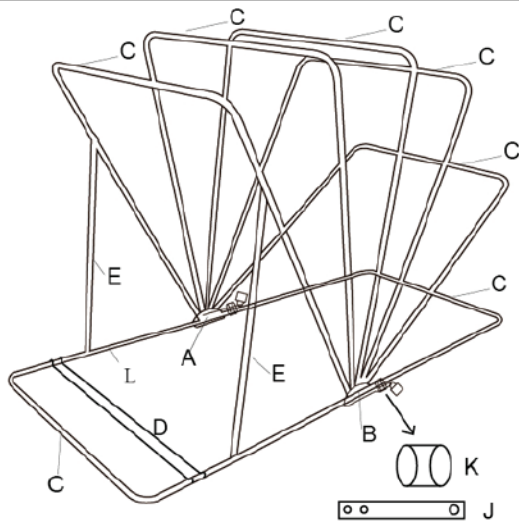
Step 2

Connect the E tubes on to the A&B parts with angled ends on upper rib using F,G & H fasteners.

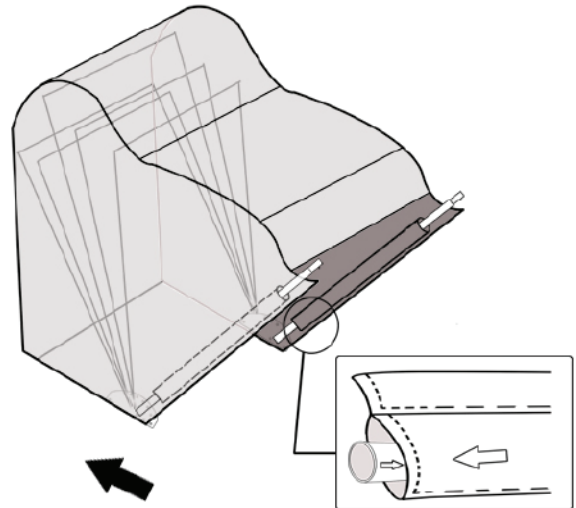
Step 3

Connect D. Then lift the assemblies with all ribs and connect across the A & B frames. Leave the last C tube uninstalled for this step as the picture shows.

3



4



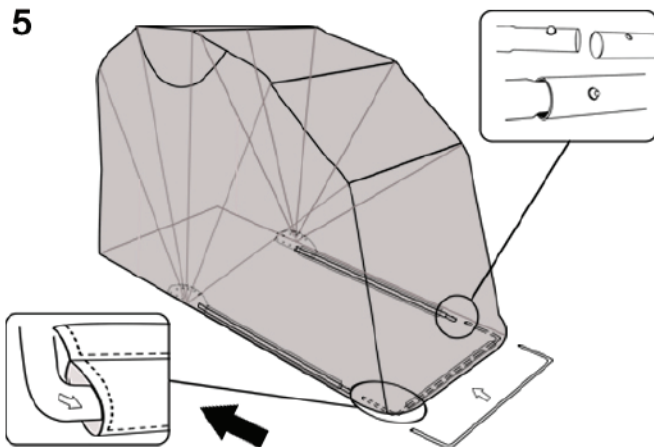
Step 4

Check to ensure that the tent cover is spread in the right direction. Let the 2 unconnected tubes pass through ground sleeves of the cover.

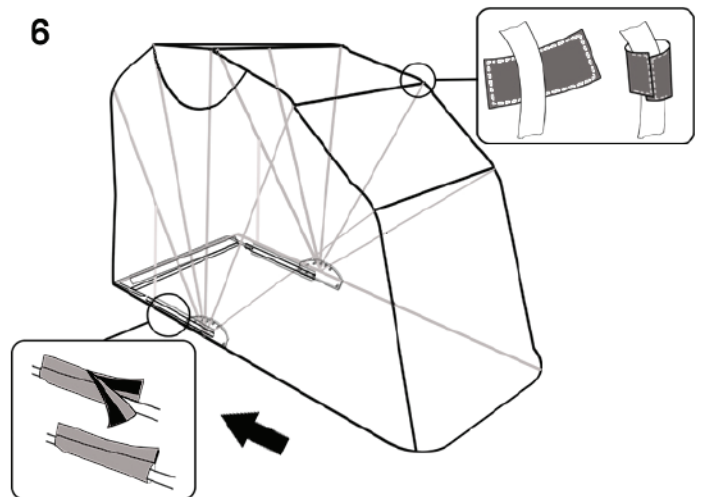
Step 5

Let the last C tube pass through the ground sleeve of the cover and connect it with assembly A and B.

5



6



Step 6

Fold the cover backwards over the frame, wrap the velcros around the ribs as appropriate, and tidy up the whole tent.

Secure the frame

Weights can be placed on the flat bar connected to the D plate. Bolts can be used to fasten the swivel plates of A & B to concrete or other firm surface.

Fold Down and Storage

The Motor tent is designed to fold down for storage as needed. While the Motor tent is still fully assembled, remove the bolts for the A frame and take out the H tubes. The Motor tent can then collapse closed pivoting on the A and B base assemblies. Tie the ribs together at the top and then you can easily move it around.

We wish you many years of quality motorcycle storage with your Motor Tent.

DANCOVER[®]

.com

Contact information

Head office:

Dancover A/S
Nordre Strandvej 119 G
3150 Hellebæk
Denmark

For more information
please visit:
www.dancovershop.com

National contact

Denmark: 70 26 76 20
denmark@dancover.com

UK: 020 8099 7570
uk@dancover.com

Germany: 041 0266 7040
germany@dancover.com

France: 0975 181 800
france@dancover.com

Sweden: 040 233 262
sverige@dancover.com

Finland: 0 931 581 720
suomi@dancover.com

Poland: 22 300 8602
polska@dancover.com

Luxembourg: +49 041 0266 7040
luxembourg@dancover.com

Portugal: 308 800 899
portugal@dancover.com

Spain: 911 436 828
espana@dancover.com

Italy: 02 479 21 198
italia@dancover.com

Switzerland: 0840 000125
schweiz@dancover.com

Austria: 0662 626935
austria@dancover.com

Norway: 231 00 690
norge@dancover.com

Nederland: 0 858 880 524
nederland@dancover.com

Ireland: 0 151 33 003
ireland@dancover.com

Belgium: 0 28 08 08 09
belgique@dancover.com